

# UTVS 925 Platinum Series Battery

12V  
30Ah

**About:** This UTVS Platinum Series AGM Battery is the premier battery for any UTV. Our battery is completely factory sealed, meaning it is maintenance-free, leak proof and usable in any position.



## Battery Specification

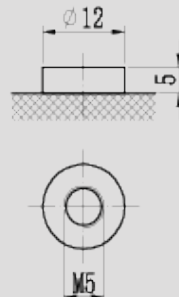
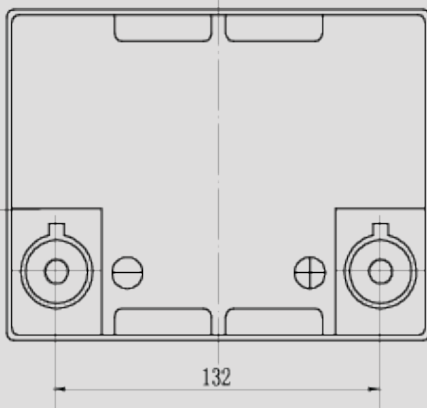
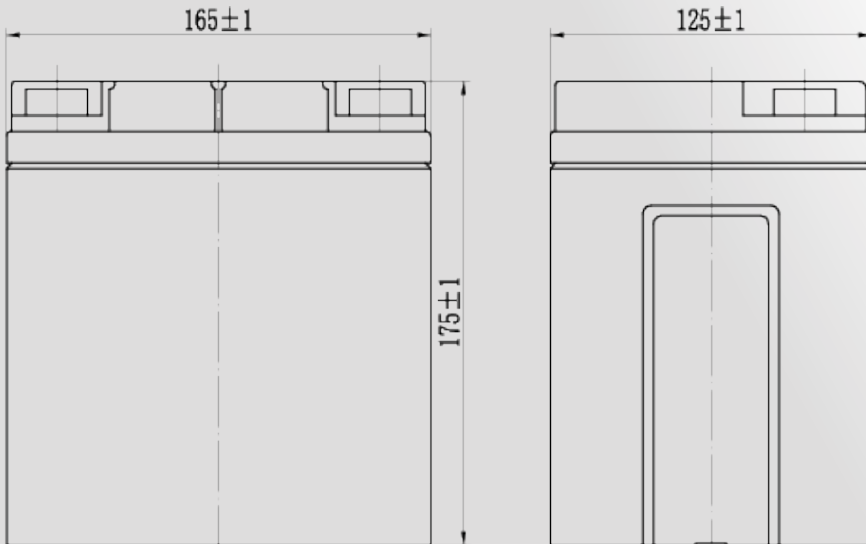
### Performance Characteristics

Nominal Voltage	12V
Number of Cells	6
Amp Hours	30Ah

### Dimensions and Weight:

Length (mm / inch)	165 / 6.50
Width (mm / inch)	125 / 4.92
Height (mm / inch)	175 / 6.89
Total Height (mm / inch)	182 / 7.17
Approx. Weight (Kg / lbs)	9.30 / 20.5

\* Weight deviation:  $\pm 5\%$



### STAY RIDE READY

### CHARGE YOUR BATTERY!



UTV Stereo

SINGLE



UTV Stereo

DUAL BANK

BATTERY CHARGERS

### General Features:

- Absorbent Glass Mat (AGM) technology for efficient gas recombination of up to 99% and freedom from electrolyte maintenance or water adding.
- Can be mounted in any orientation.
- Low Pressure Venting System.
- Long service life.
- Maintenance-free operation.
- Low self discharge.