



UTVS 1200 Platinum Series Battery

12V
55Ah

About: This UTVS Platinum Series AGM Battery is the premier battery for any UTV. Our battery is completely factory sealed, meaning it is maintenance-free, leak proof and usable in any position.



Battery Specification

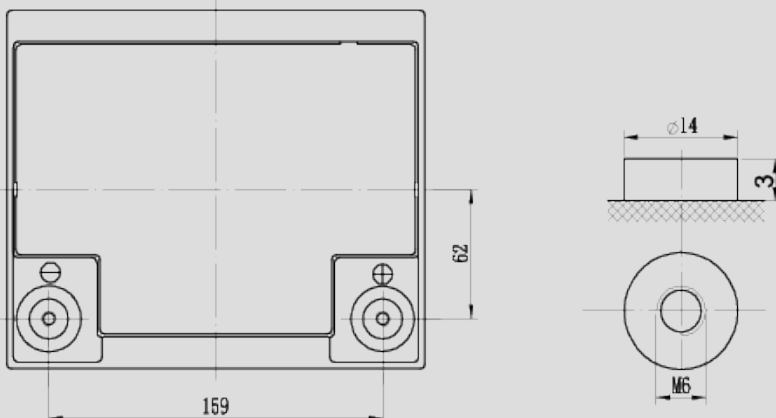
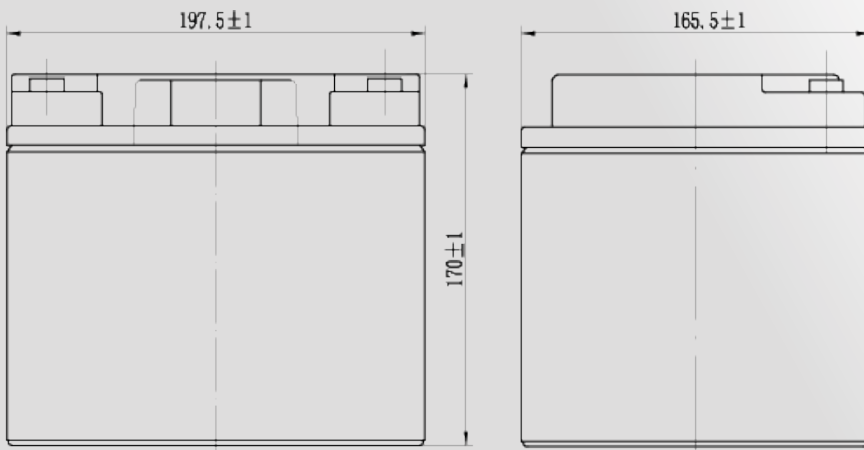
Performance Characteristics

Nominal Voltage	12V
Number of Cells	6
Amp Hours	55Ah

Dimensions and Weight:

Length (mm / inch)	197.5 / 7.78
Width (mm / inch)	165.5 / 6.52
Height (mm / inch)	170 / 6.69
Total Height (mm / inch)	170 / 6.69
Approx. Weight (Kg / lbs)	14.6 / 32.2

* Weight deviation: $\pm 5\%$



STAY RIDE READY

CHARGE YOUR BATTERY!



UTV Stereo

SINGLE

UTV Stereo

DUAL BANK

BATTERY CHARGERS

General Features:

- Absorbent Glass Mat (AGM) technology for efficient gas recombination of up to 99% and freedom from electrolyte maintenance or water adding.
- Can be mounted in any orientation.
- Low Pressure Venting System.
- Long service life.
- Maintenance-free operation.
- Low self discharge.