

OTIS KING BED - CANOPY

1

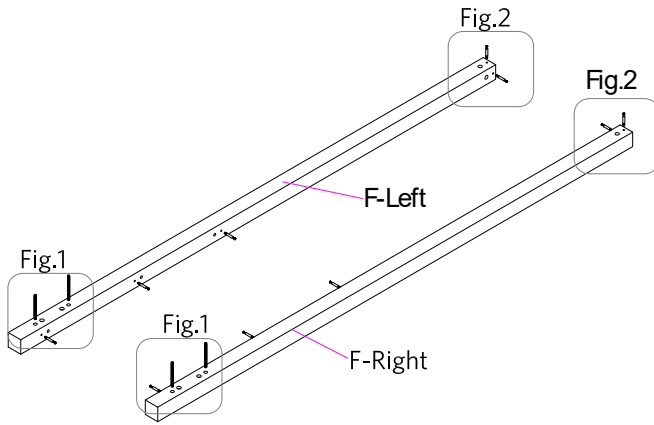


FIGURE 1

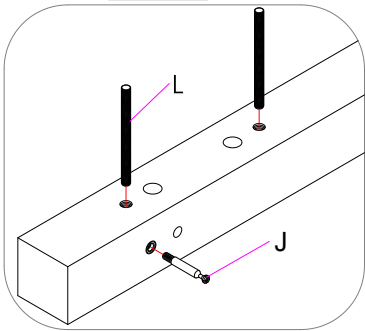
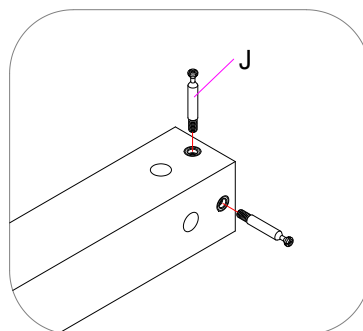


FIGURE 2



2

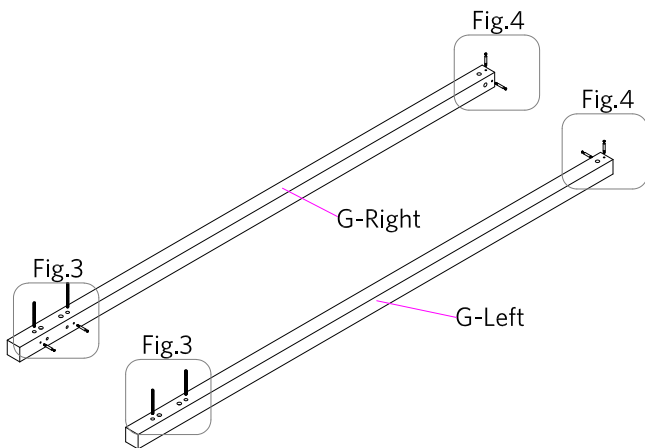


FIGURE 3

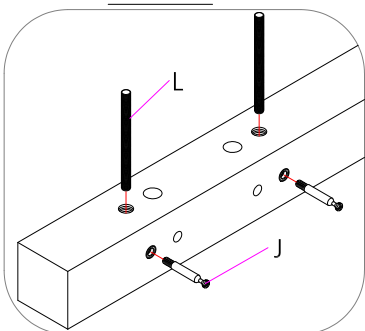
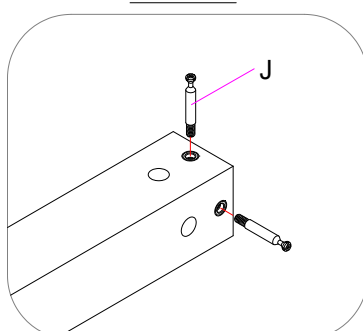


FIGURE 4



A		1
B		1
C		2
D		2
E		13
F		2
G		2
H		2
I		2
J		18
K		18

OTIS KING BED - CANOPY

3

FIGURE 5-A

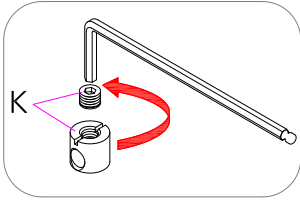


FIGURE 5-B

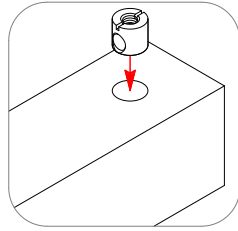
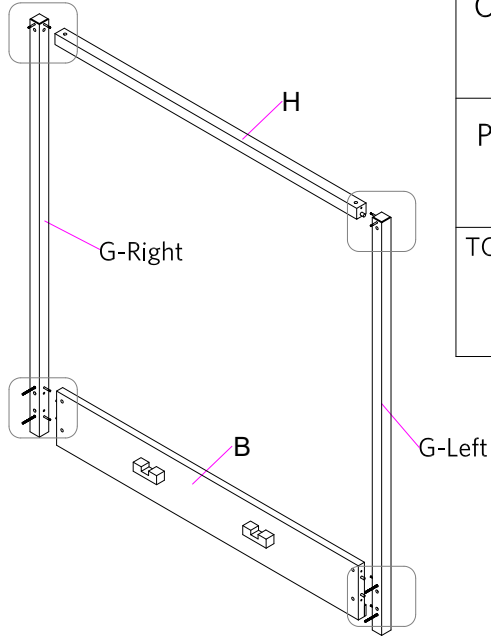
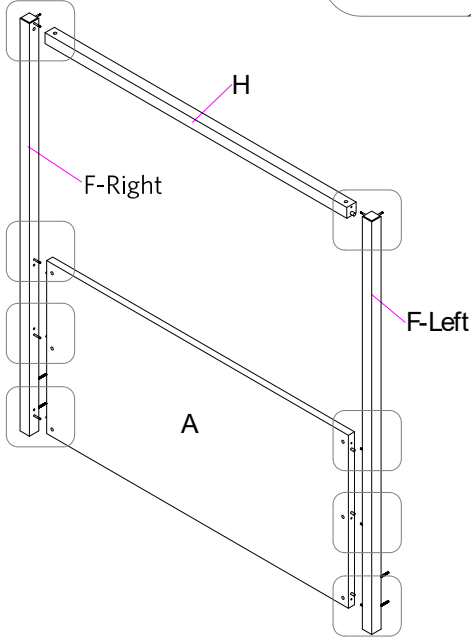
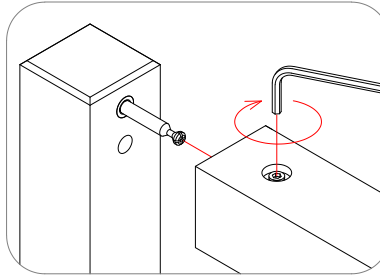

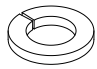

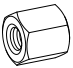




FIGURE 5-C



L		8
M		8
N		8
O		8
P		1
TOOL NEEDED		1
		(NOT PROVIDED)

4

FIGURE 6

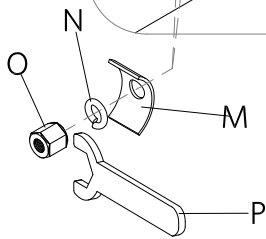
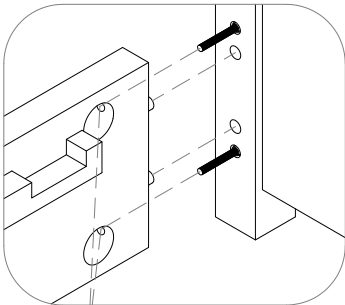


FIGURE 7-B

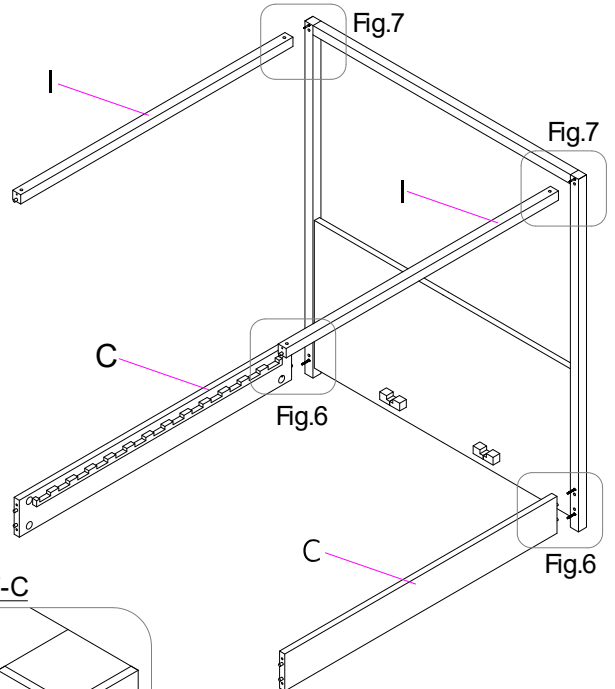
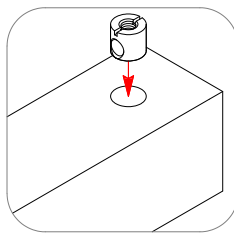


FIGURE 7-A

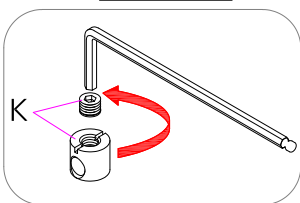
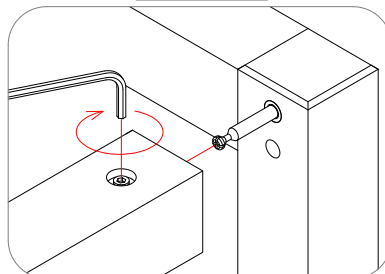


FIGURE 7-C



NOTE: KEEP HOLDING THE CANOPIES DURING NEXT STEP.

binä
FOR Resource
Door

Industrie- und Handelskammer
Düsseldorf

OTIS KING BED - CANOPY

5

FIGURE 8

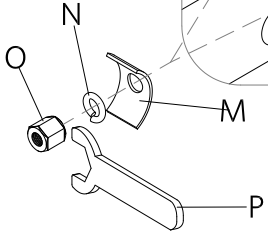
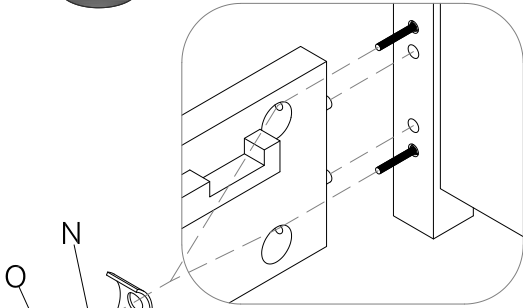
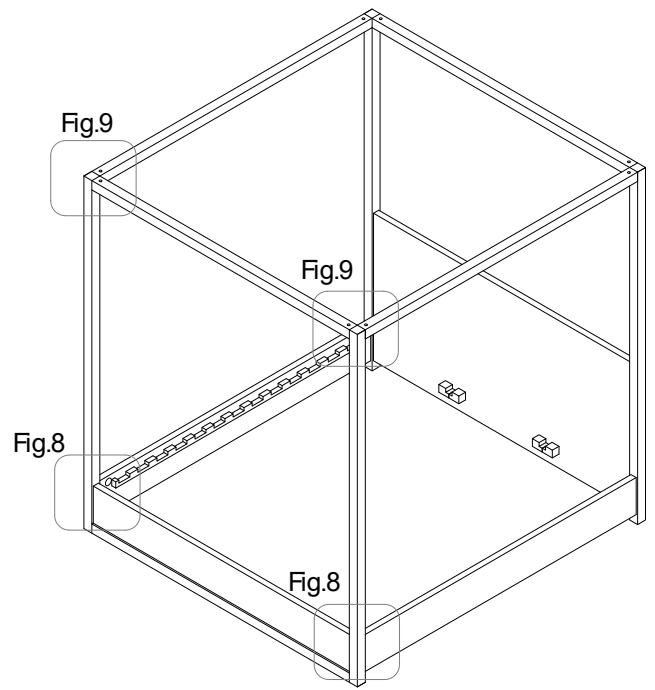
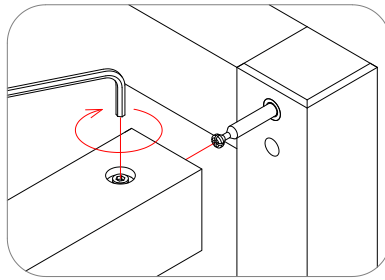
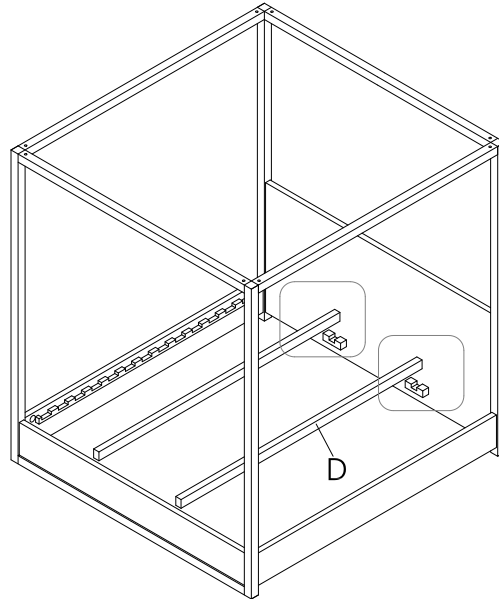
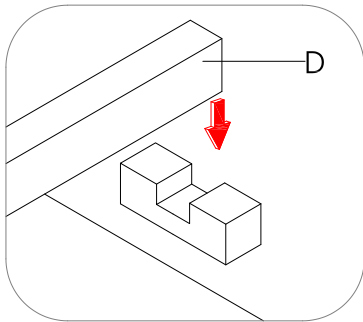


FIGURE 9



6

FIGURE 10



7

FIGURE 11

