

GL-1
GATE LATCH
INSTALLATION AND MAINTENANCE

NOTICE

We recommend a full service marine dealer install this product to insure proper fit and trouble free operation. These instructions should be placed with product for the owners future use.

STEP 1: Select a location vertically on gate that is toward top of gate.

STEP 2: Index tab on Part "A" against edge of door or gate and vertically as in Step 1. Holding Part "A" in place drill two (2) 1/4" diameter holes thru the countersunk holes on top and bottom straight thru tubing. Remove Part "A" and enlarge these holes to 1/2" diameter.

STEP 3: Place Part "A" on inside of gate tube and Part "B" on outside and install the 1 1/4" long screws as shown (Do Not Over-tighten).

STEP 4: With Part "A" and "B" installed drill a 1/2" diameter hole thru gate tube using Part "A" and "B" as a template (Large Hole in Center).

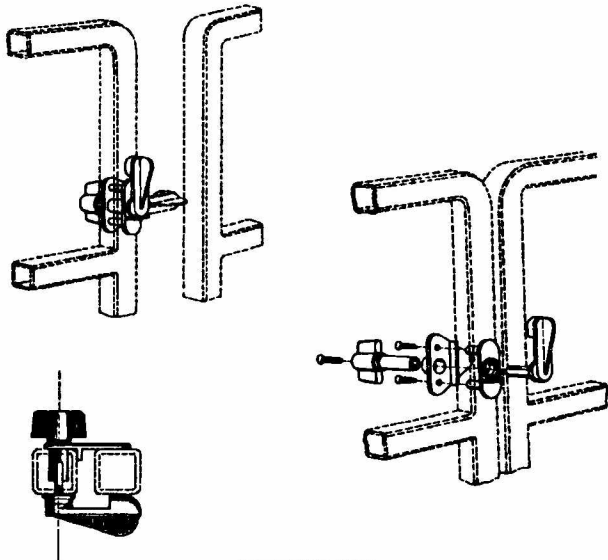
STEP 5: Install Part "C" from the outside of gate and Part "D" from the inside so the hex portions slip together. Insert 1 1/2" long screw thru Part "D" and tighten. Check rotation of part "C" and "D". If it is hard to turn, back off slightly on screw thru Part "D".

MAINTENANCE INSTRUCTIONS:

Maintenance inspection is the owners responsibility and must be performed as follows:

Check for tightness of screws every 50 hours of operation.

GATE LATCH FOR PONTOON GATES 1", 1 1/8" OR 1 1/4" TUBES



LIMITED WARRANTY

T-H Marine Supplies, Inc., manufacturer, warrants to the first retail purchaser of this product, or a T-H Marine Supplies, Inc. product incorporated in another vendor's product that, for a period of one (1) year from the date of original purchase, such product will be free from defects in materials and workmanship. This applies only to the original purchaser and must be returned to the manufacturer prepaid, accompanied by the invoice or purchase ticket. This warranty shall not apply to any product or component thereof which has been repaired, altered, damaged, abused during operation, not installed properly or not maintained in accordance with T-H Marine Supplies, Inc. instructions. In no event will T-H Marine Supplies, Inc. be liable for any incidental or consequential damages. This warranty applies only to the replacement or repair of products manufactured by T-H Marine Supplies, Inc. and not to any replacement labor or expenses. All warranties are void on the following applications, conditions and installations: (1) Commercial boats (2) Competition boats (3) Improper installations (4) Engine horsepower exceeds the U.S. Coast Guard maximum horsepower rating for the boat.

Y-127