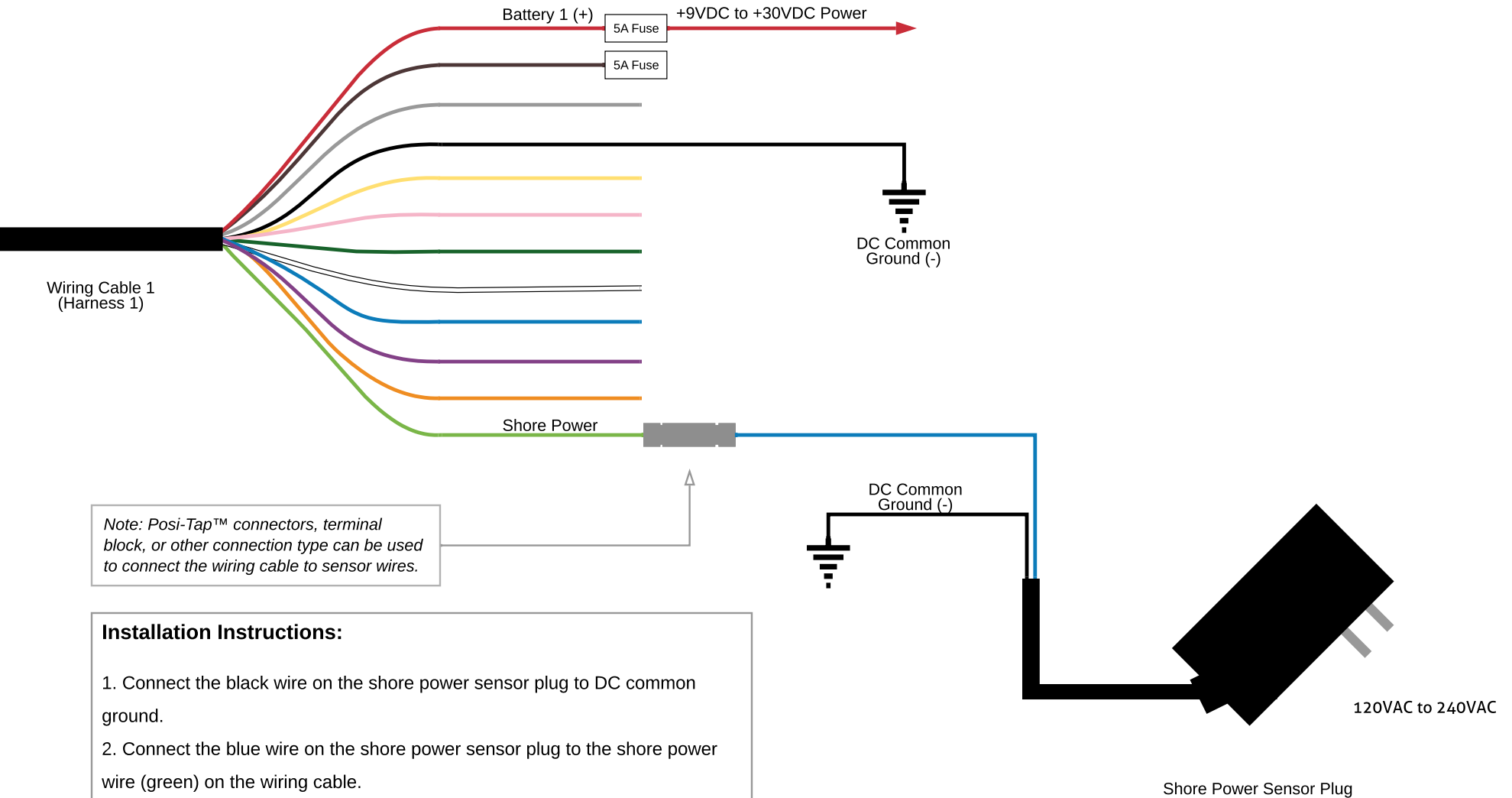


Shore Power Sensor Plug Wiring Diagram (100/240 VAC)



Installation Instructions:

1. Connect the black wire on the shore power sensor plug to DC common ground.
2. Connect the blue wire on the shore power sensor plug to the shore power wire (green) on the wiring cable.
3. Connect the shore power plug to a wall outlet that is energized only when shore power is connected and on.

Product SKU: SM-ACC-SHOR