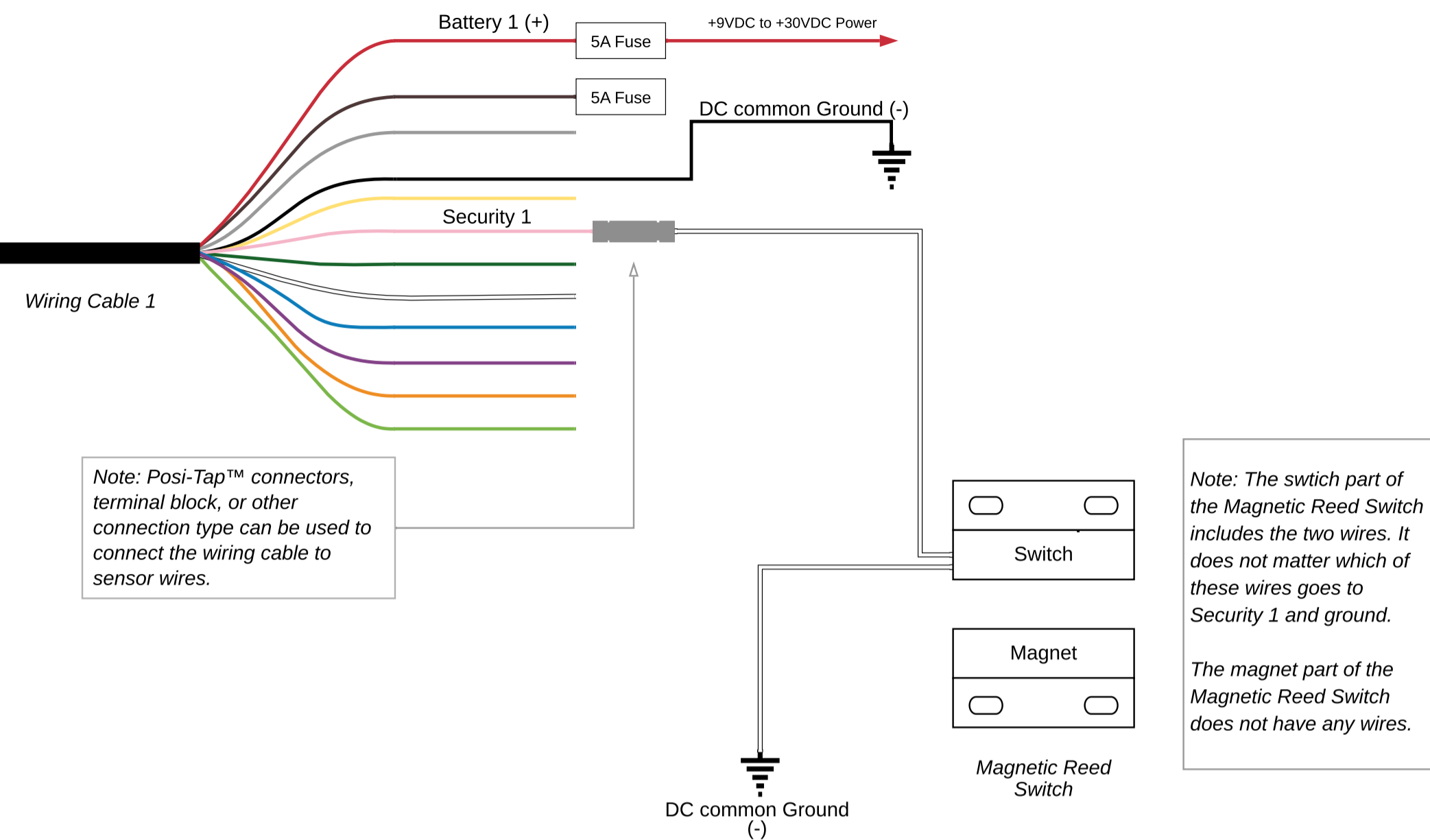


# Magnetic Reed Switch Wiring Diagram

For Siren 3 Series Devices



## Installation Instructions:

1. Connect one white wire from the switch wire to one of the Security inputs on the wiring cable 1 or 2.
2. Connect the other white wire on the switch to DC common ground.
3. The magnet should be installed on the door hatch, locker, or window that is being monitored. The switch should be installed on the adjacent bulkhead.

Product SKU: SM-ACC-REED

