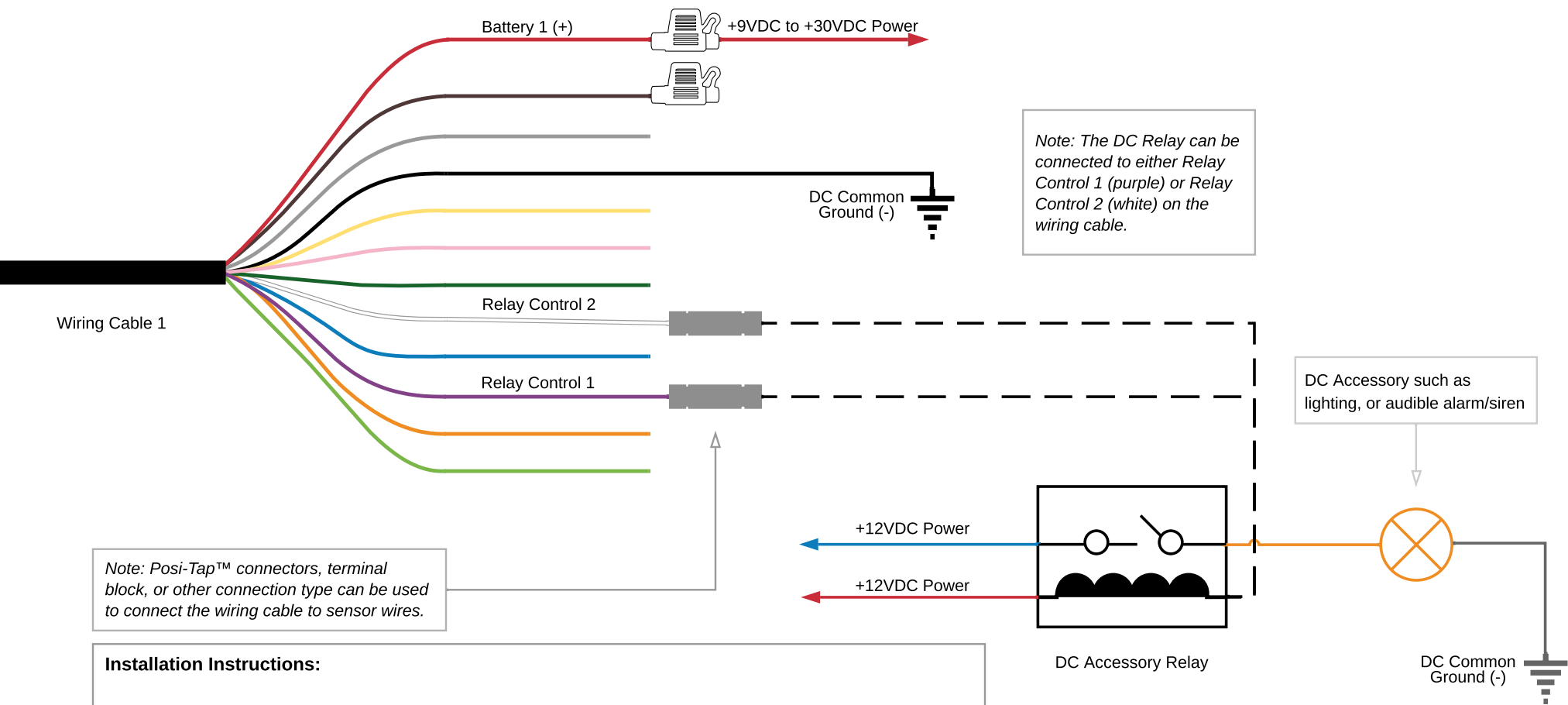


# DC Relay



Note: Posi-Tap™ connectors, terminal block, or other connection type can be used to connect the wiring cable to sensor wires.

## Installation Instructions:

1. Connect black relay wire to Relay Control 1 (purple) or Relay Control 2 (white) on the wiring cable.
2. Connect orange relay wire to accessory.
3. Connect blue relay wire to +12VDC power.
4. Connect red relay wire to +12VDC power.

Note: The red and black wires connect to the coil side of the relay. The blue and orange wires connect to the switch side of the relay. This relay is required if the draw on the Siren 3 Series output exceeds 1 Amp. This relay can draw up to 10 Amps.

Product SKU: SM-ACC-DCRE