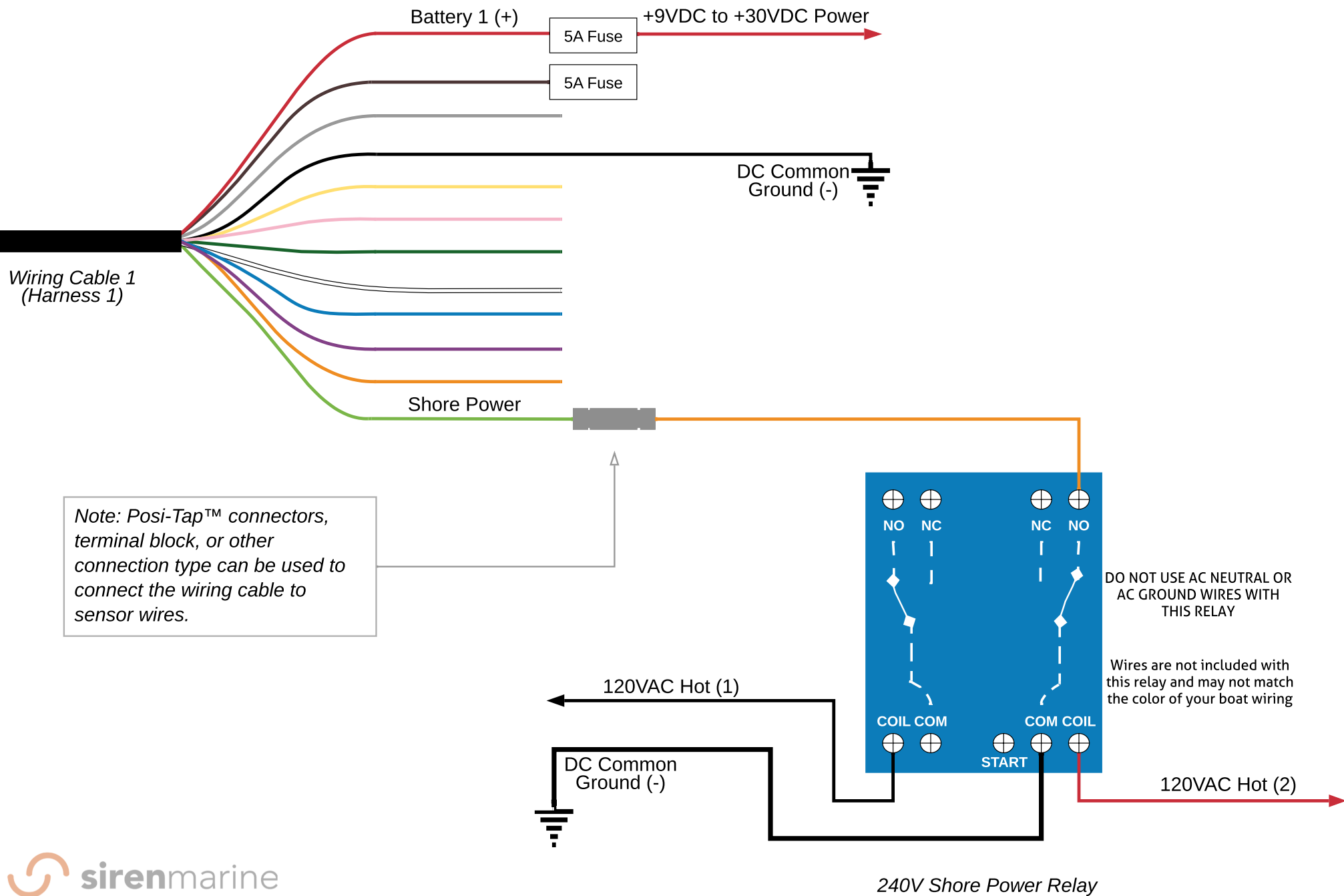


# 240V Shore Power Relay Wiring Diagram

For Siren 3 Series Devices



## **Installation Instructions:**

1. Ensure AC power is off
2. Connect a wire from the Normally Open input on the relay to the Shore Power (light green) on Wiring Cable 1.
3. Connect a wire from the COM input on the relay to DC Common Ground.
4. Connect a wire from first COIL input to first leg of 120VAC power.
5. Connect a wire from second COIL input to second leg of 120VAC power.

*Product SKU: SM-ACC-ACRE-240*