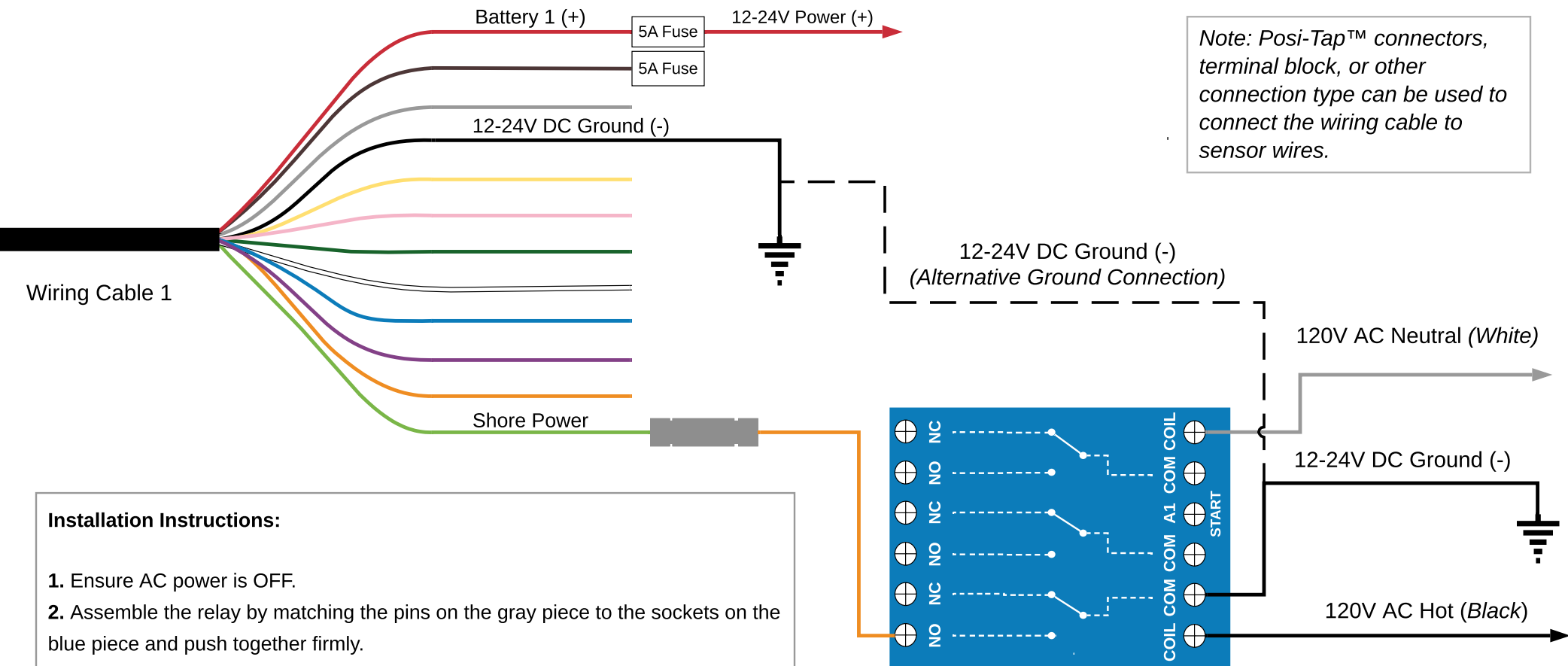


# S3P 120V Shore Power Relay Wiring Diagram

*For Siren 3 Series Devices*



## Installation Instructions:

1. Ensure AC power is OFF.
2. Assemble the relay by matching the pins on the gray piece to the sockets on the blue piece and push together firmly.
3. Connect the "Shore power (light green)" wire from the Siren 3 Pro wiring cable to one of the normally open (NO) terminals on the relay.
4. Connect a wire from the Siren 3 Pro Ground to the "COM" terminal of the corresponding relay switch.
5. Connect the AC Hot wire (black) to one of the "COIL" terminals of the relay.
6. Connect the AC Neutral wire (white) to the OTHER "COIL" terminal of the relay.
7. Leave the AC Ground wire (bare wire or green) unconnected.

Product SKU: SM-ACC-ACRE-120

*Note: There are three separate switches that can be used on the relay. Each normally closed (NC) circuit correlates with a specific COM circuit as indicated by the dotted lines.*