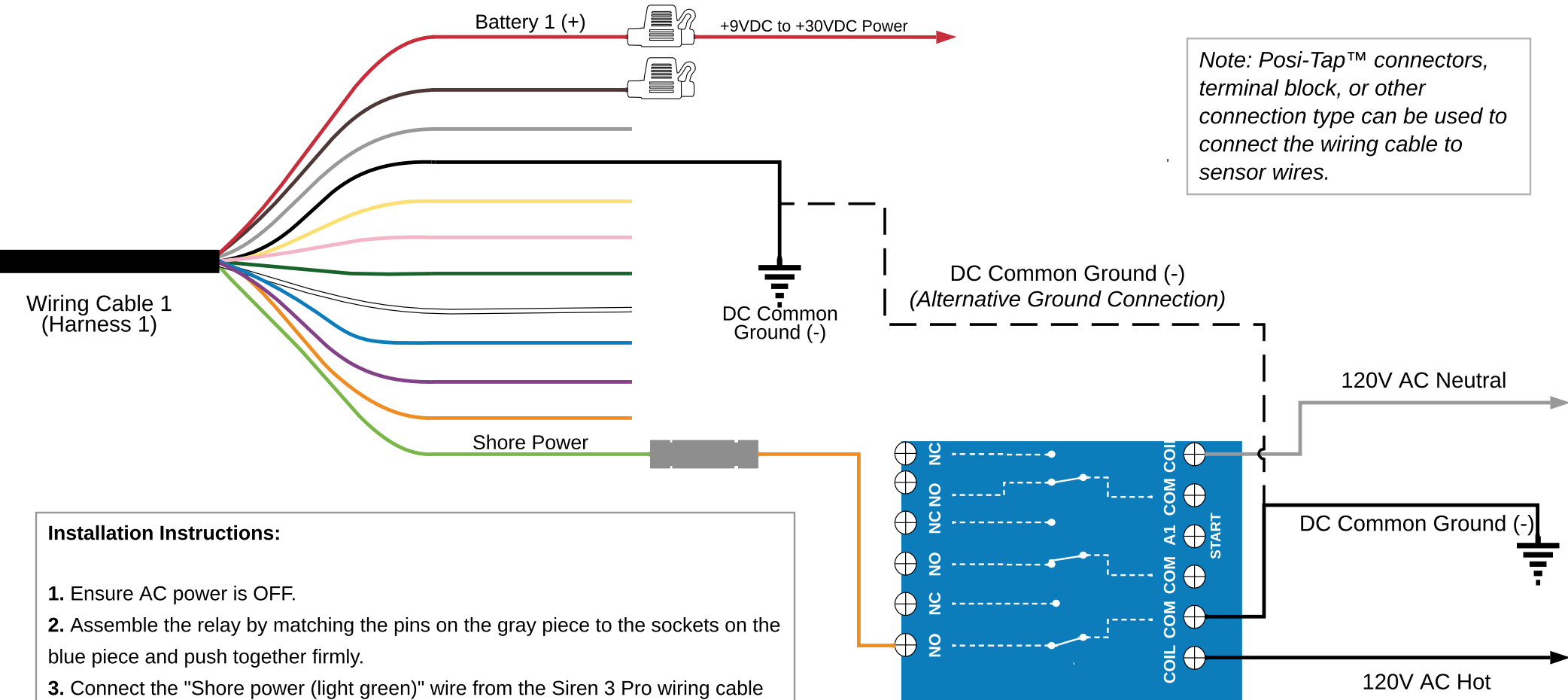


S3P 120V Shore Power Relay Wiring Diagram

For Siren 3 Series Devices



Note: Posi-Tap™ connectors, terminal block, or other connection type can be used to connect the wiring cable to sensor wires.

Installation Instructions:

1. Ensure AC power is OFF.
2. Assemble the relay by matching the pins on the gray piece to the sockets on the blue piece and push together firmly.
3. Connect the "Shore power (light green)" wire from the Siren 3 Pro wiring cable to one of the normally open (NO) terminals on the relay.
4. Connect a wire from DC Common Ground to the "COM" terminal of the corresponding relay switch.
5. Connect the AC Hot wire (black) to one of the "COIL" terminals of the relay.
6. Connect the AC Neutral wire (white) to the OTHER "COIL" terminal of the relay.
7. Leave the AC Ground wire (bare wire or green) unconnected to this relay.

Product SKU: SM-ACC-ACRE-120

Note: There are three separate switches that can be used on the relay. Each normally closed (NC) circuit correlates with a specific COM circuit as indicated by the dotted lines.

120V AC ground is not used

Wires are not included with this relay and may not match the color of your boat wiring