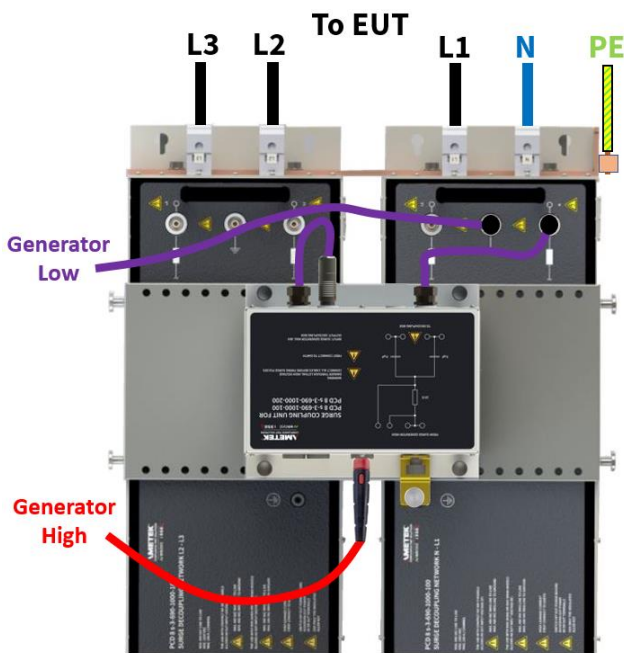


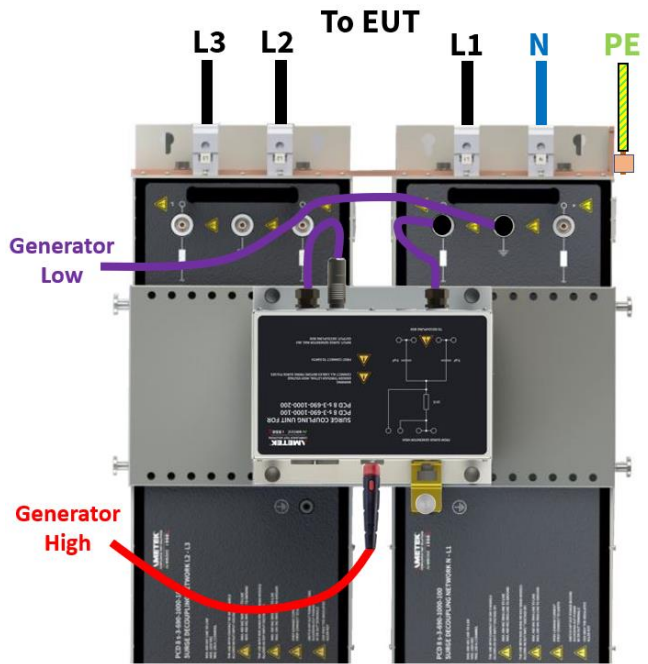
# PCD 8 s-3-690-1000-100/-200 Coupling Guide

December 22, 2020

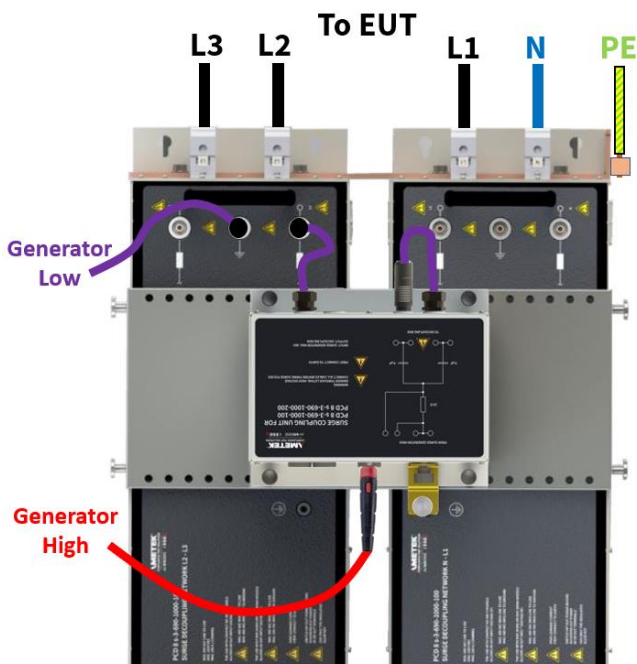
## IEC Coupling Line to Ground



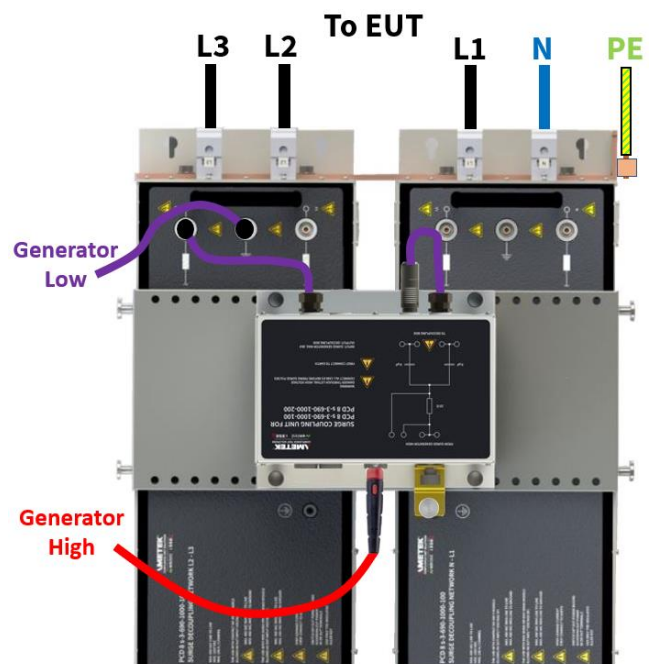
**N → PE (12 Ω, no jumper)**



**L1 → PE (12 Ω, no jumper)**



**L2 → PE (12 Ω, no jumper)**

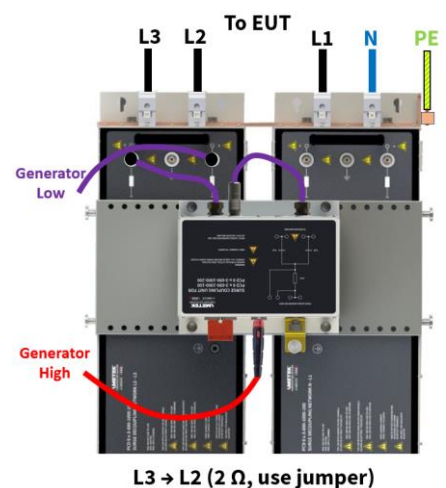
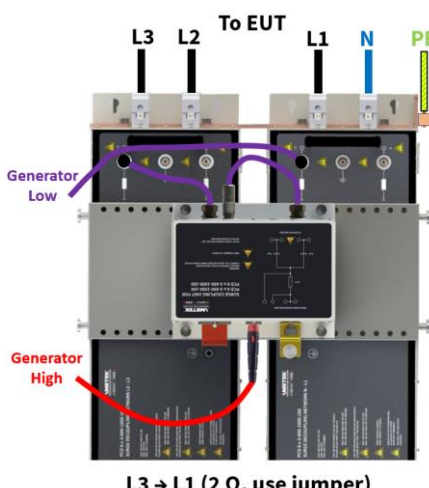
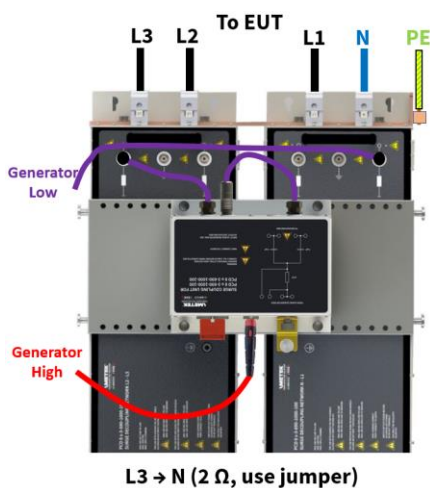
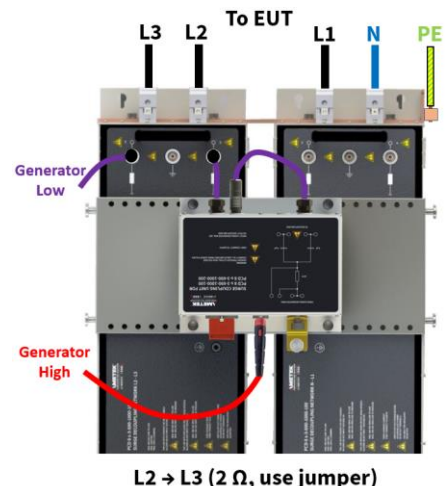
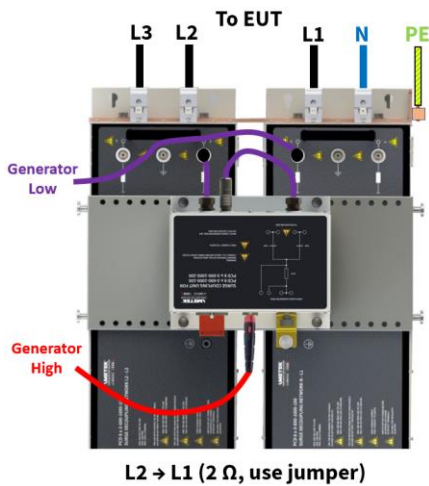
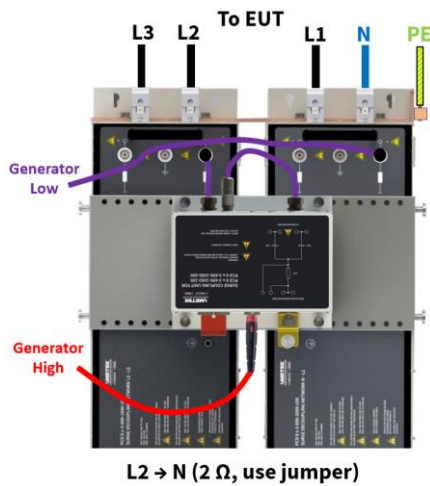
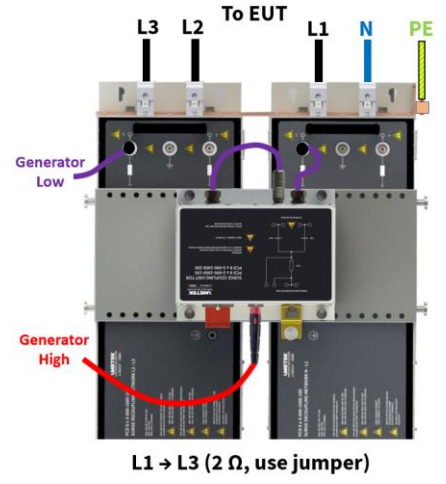
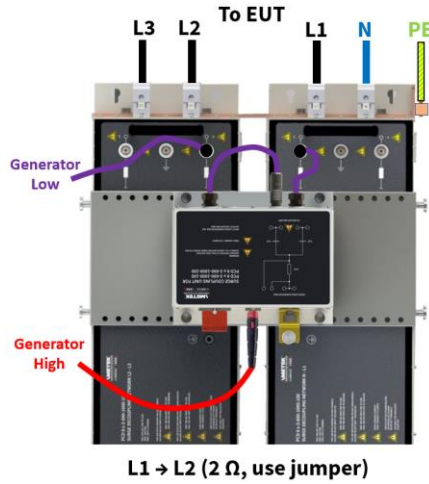
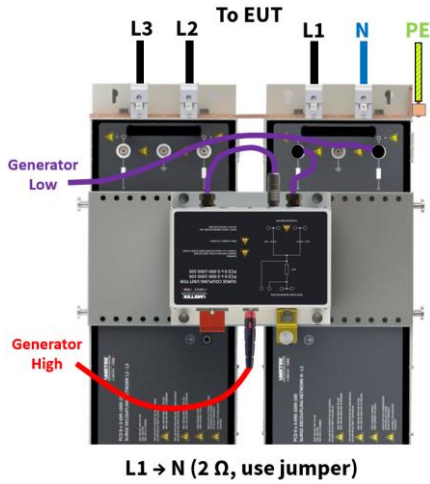


**L3 → PE (12 Ω, no jumper)**

# PCD 8 s-3-690-1000-100/-200 Coupling Guide

December 22, 2020

## IEC Coupling Line to Line



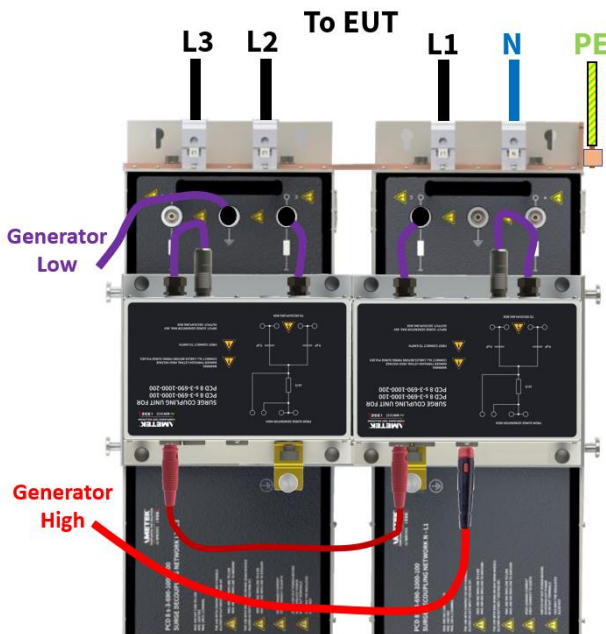


# PCD 8 s-3-690-1000-100/-200 Coupling Guide

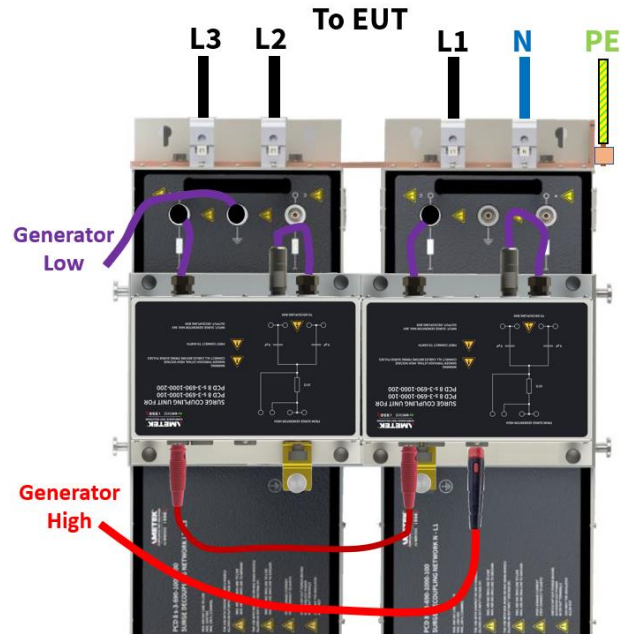
**IMETEK**  
COMPLIANCE TEST SOLUTIONS

December 22, 2020

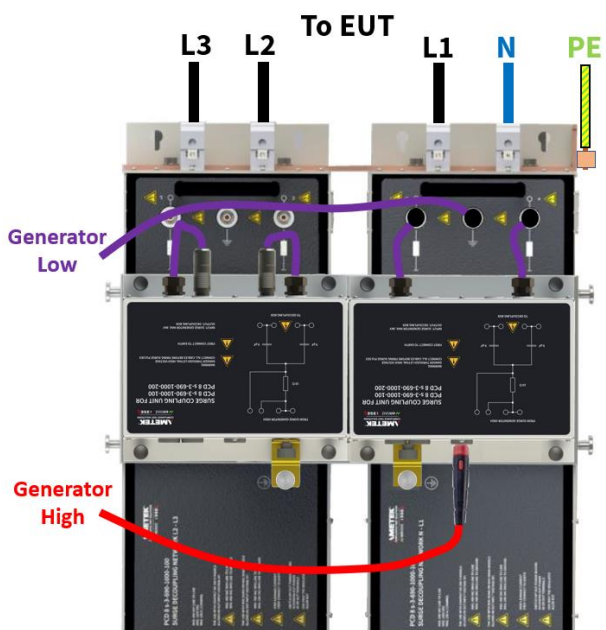
## Optional IEC Coupling Lines to Ground, 1/3



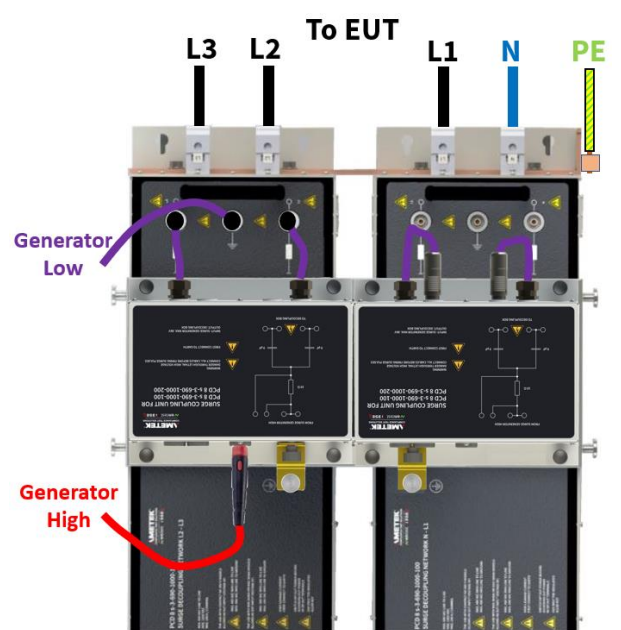
L1+L2 → PE (12 Ω, no jumper)



L1+L3 → PE (12 Ω, no jumper)



L1+N → PE (12 Ω, no jumper)



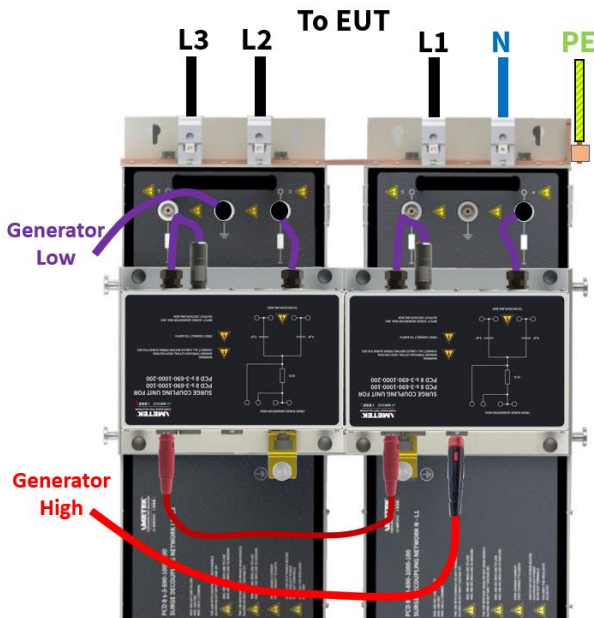
L2+L3 → PE (12 Ω, no jumper)

# PCD 8 s-3-690-1000-100/-200 Coupling Guide

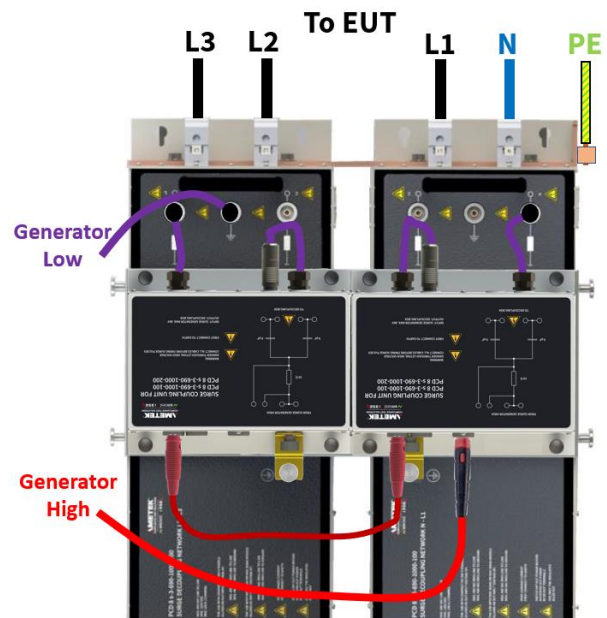
**IMETEK**  
COMPLIANCE TEST SOLUTIONS

December 22, 2020

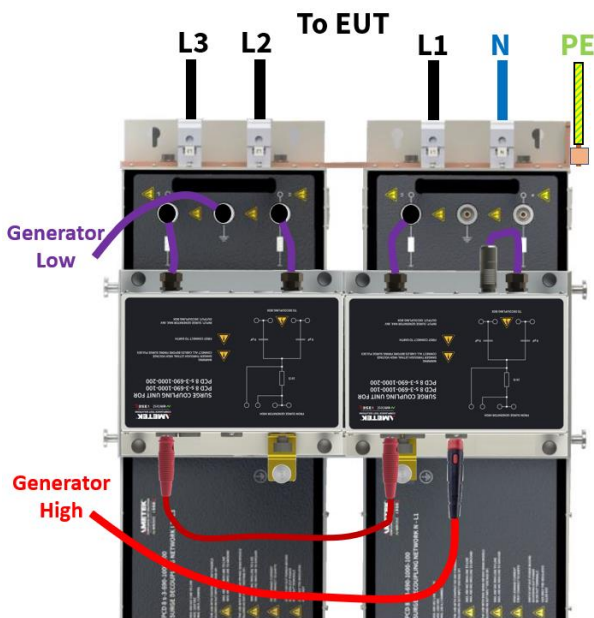
## Optional IEC Coupling Lines to Ground, 2/3



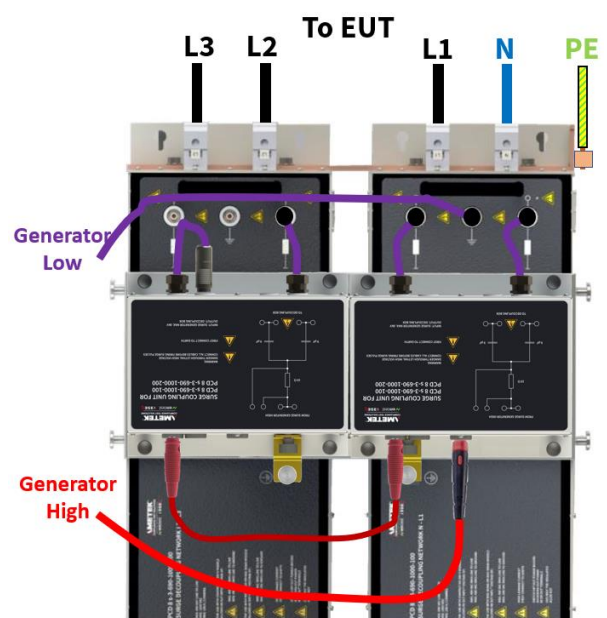
L2+N → PE (12 Ω, no jumper)



L3+N → PE (12 Ω, no jumper)



L1+L2+L3 → PE (12 Ω, no jumper)

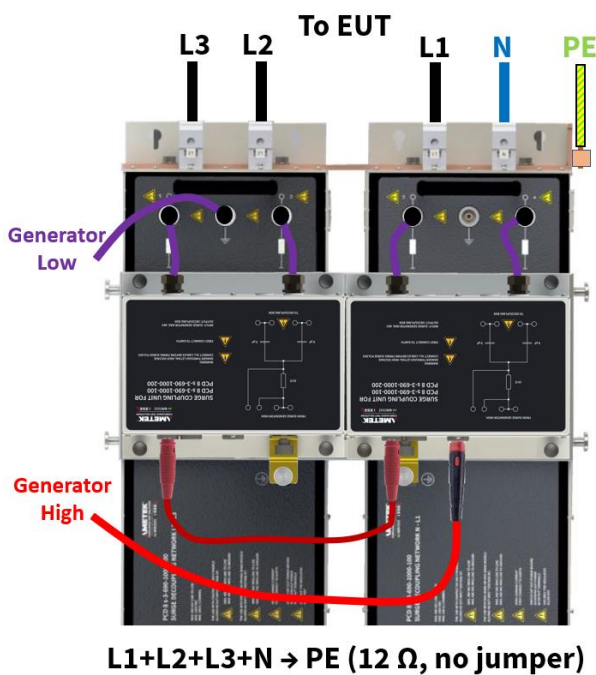
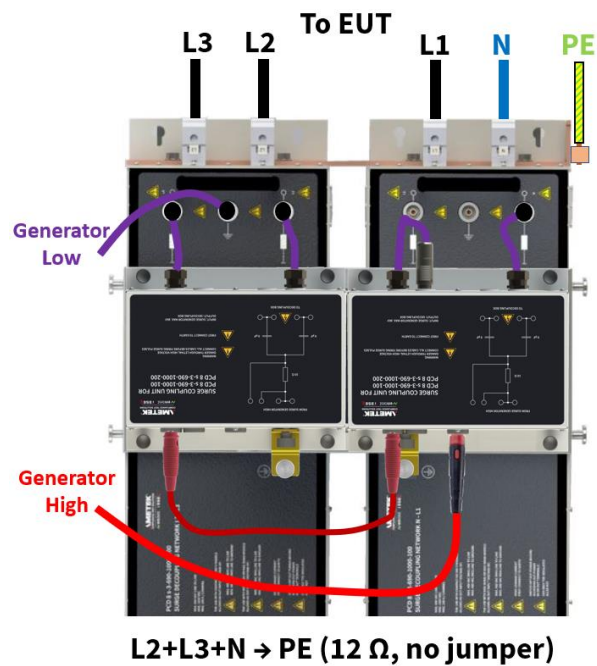
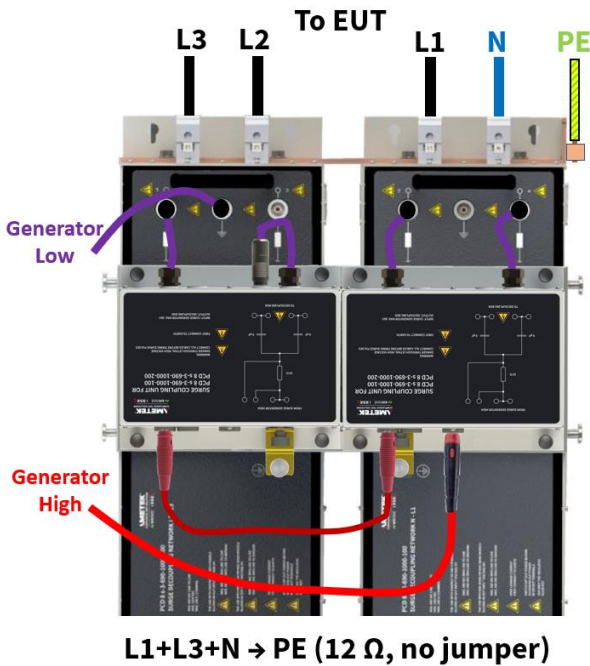


L1+L2+N → PE (12 Ω, no jumper)

# PCD 8 s-3-690-1000-100/-200 Coupling Guide

December 22, 2020

## Optional IEC Coupling Lines to Ground, 3/3

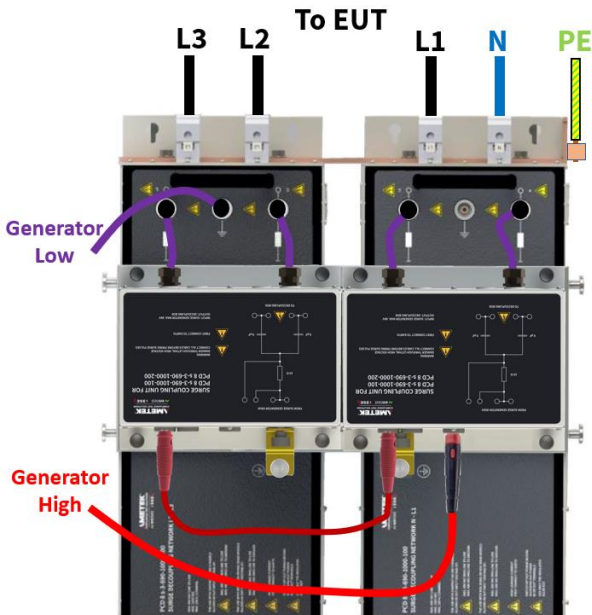




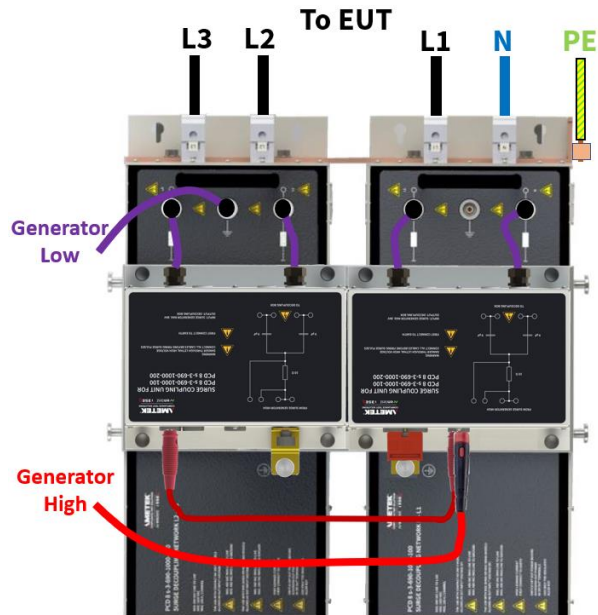
# PCD 8 s-3-690-1000-100/-200 Coupling Guide

December 22, 2020

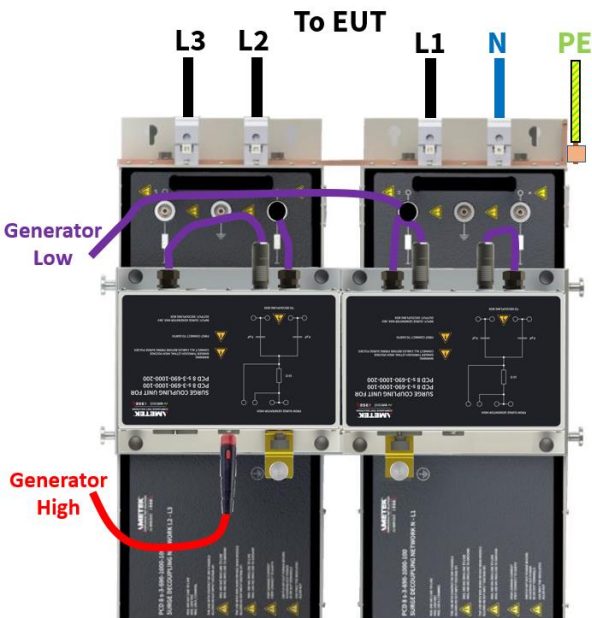
## ANSI Coupling, 1/5 (Basic)



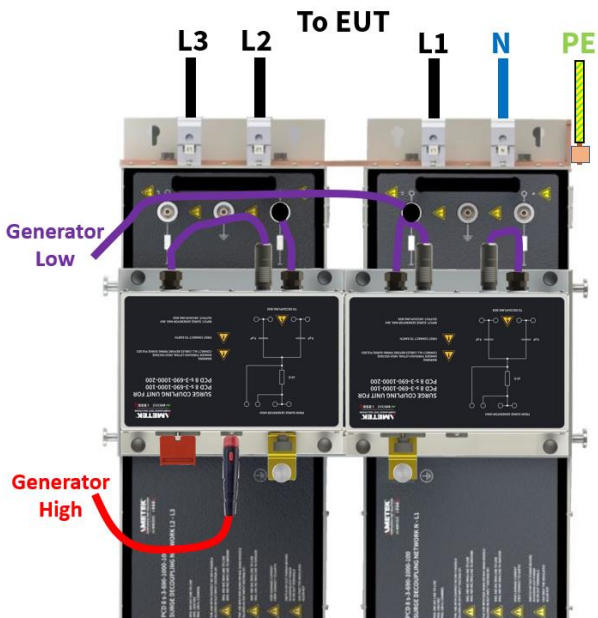
Basic 1 (ANSI A, 9 μF, no jumper)



Basic 1 (ANSI B, 9 μF, use jumper)



Basic 2 (ANSI A, 18 μF, no jumper)

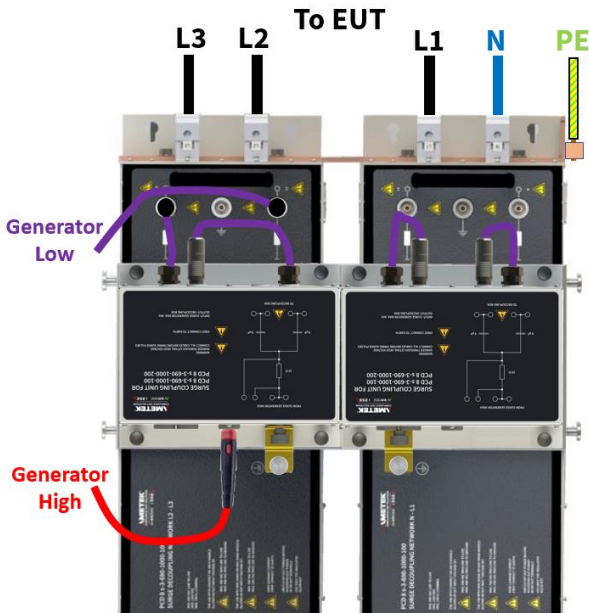


Basic 2 (ANSI B, 18 μF, use jumper)

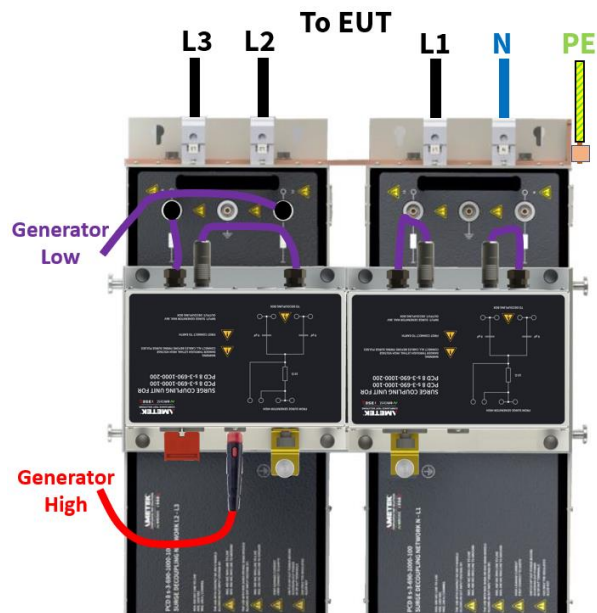
# PCD 8 s-3-690-1000-100/-200 Coupling Guide

December 22, 2020

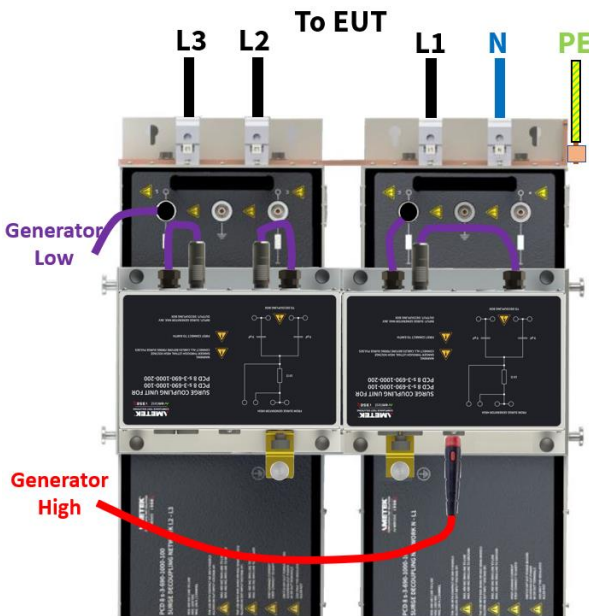
## ANSI Coupling, 2/5 (Basic)



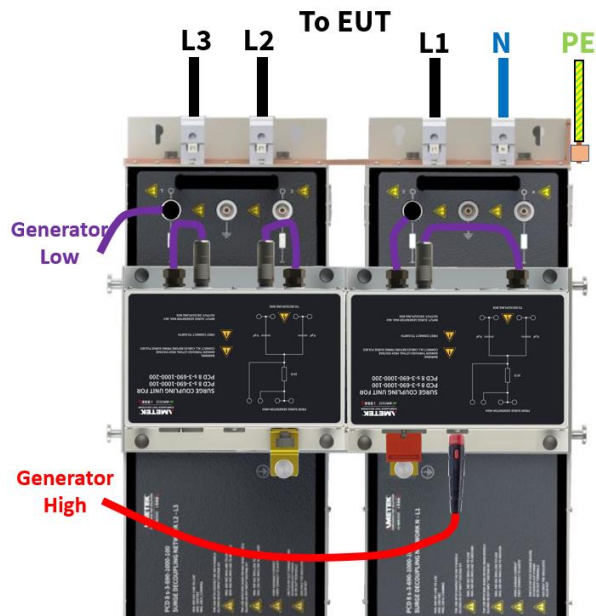
Basic 3 (ANSI A, 18  $\mu$ F, no jumper)



Basic 3 (ANSI B, 18  $\mu$ F, use jumper)



Basic 4 (ANSI A, 18  $\mu$ F, no jumper)

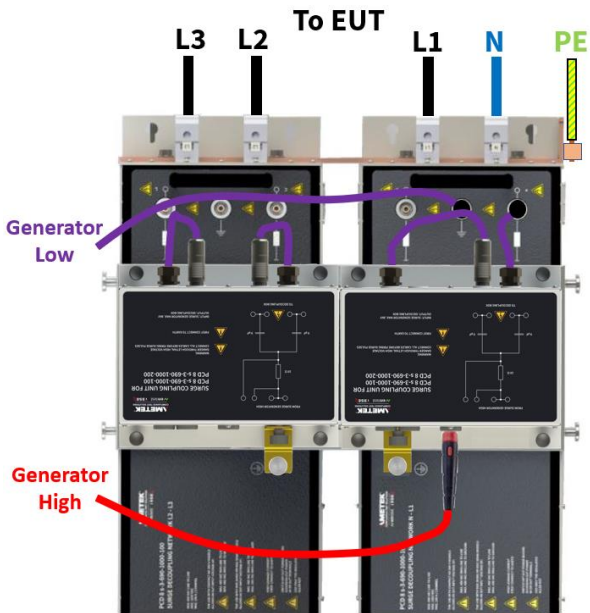


Basic 4 (ANSI B, 18  $\mu$ F, use jumper)

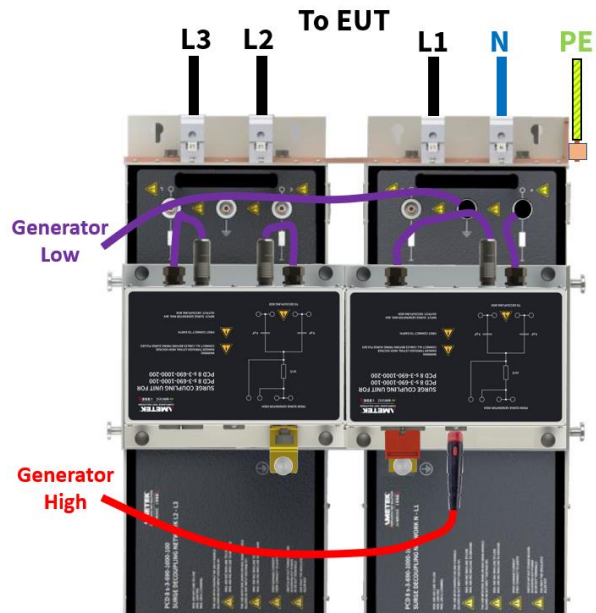
# PCD 8 s-3-690-1000-100/-200 Coupling Guide

December 22, 2020

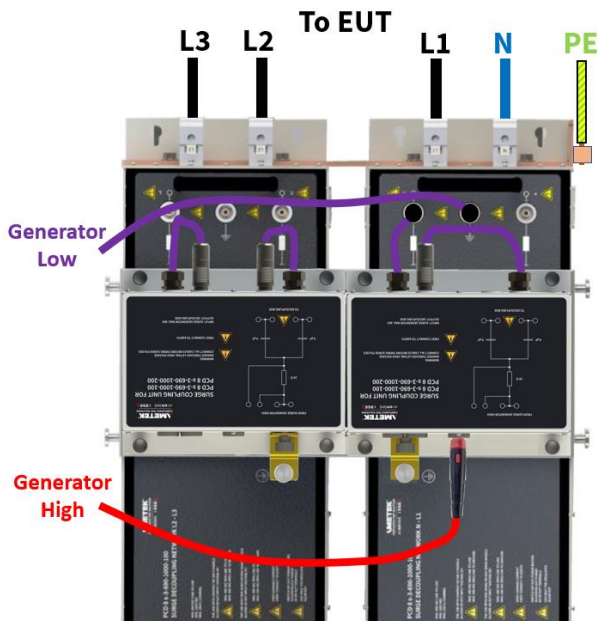
## ANSI Coupling, 3/5 (Supplemental)



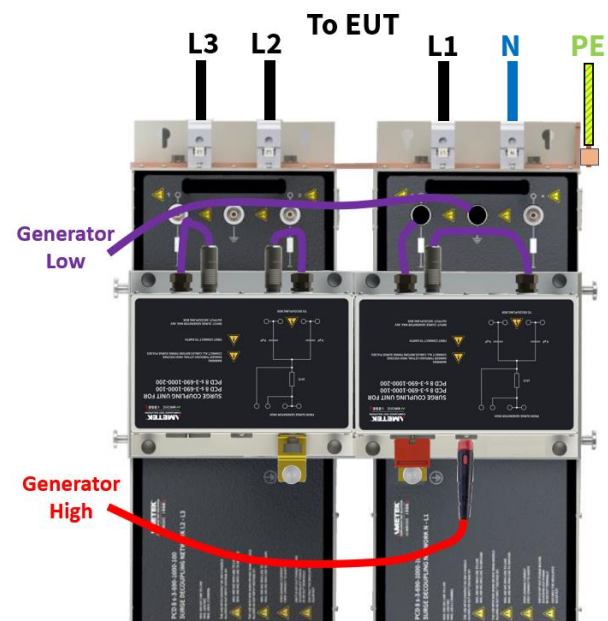
Supplemental 1 (ANSI A, 18 μF, no jumper)



Supplemental 1 (ANSI B, 18 μF, use jumper)



Supplemental 2 (ANSI A, 18 μF, no jumper)



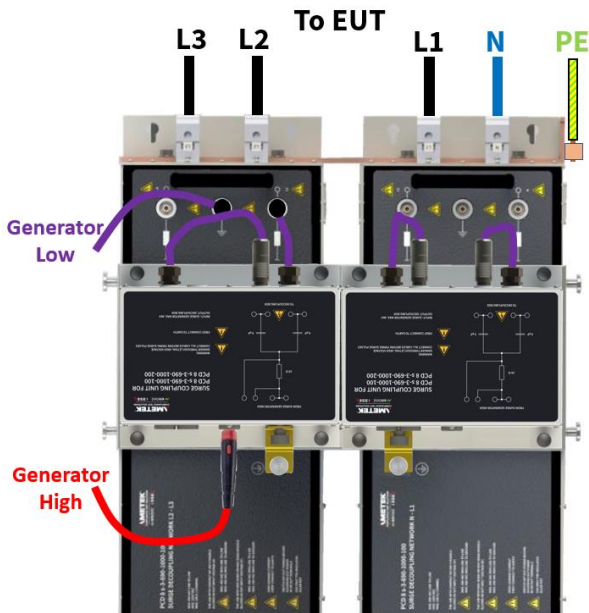
Supplemental 2 (ANSI B, 18 μF, use jumper)



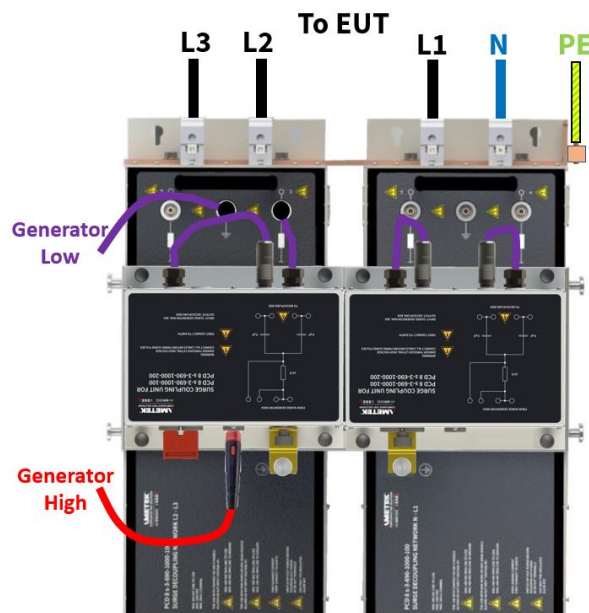
# PCD 8 s-3-690-1000-100/-200 Coupling Guide

December 22, 2020

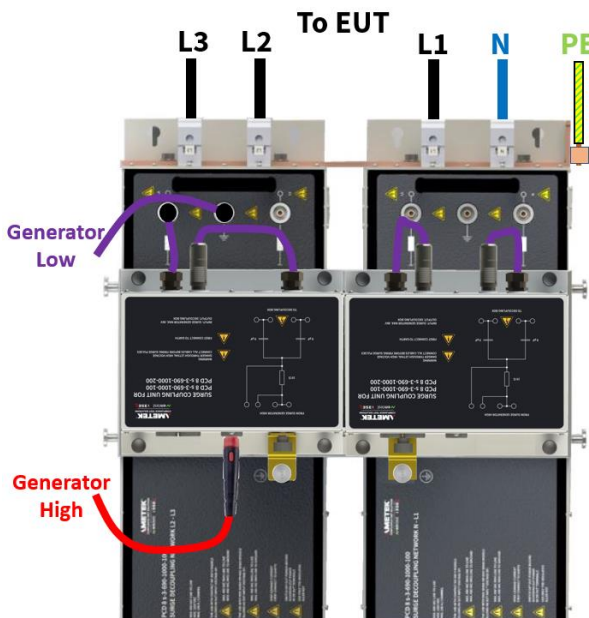
## ANSI Coupling, 4/5 (Supplemental)



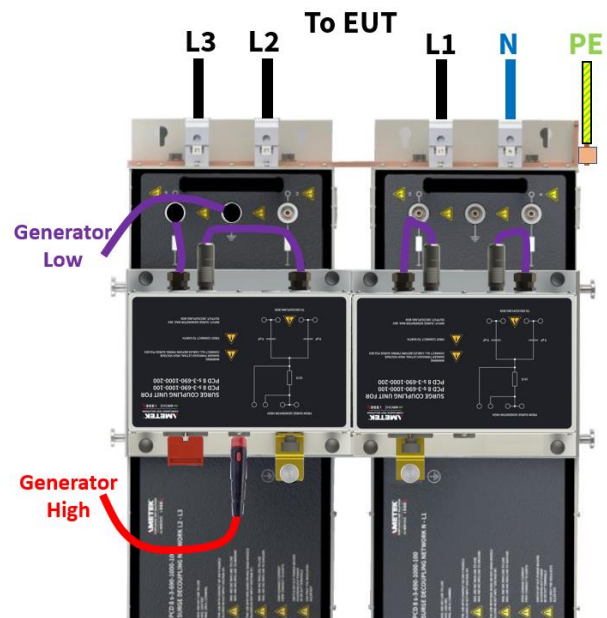
Supplemental 3 (ANSI A, 18  $\mu$ F, no jumper)



Supplemental 3 (ANSI B, 18  $\mu$ F, use jumper)



Supplemental 4 (ANSI A, 18  $\mu$ F, no jumper)

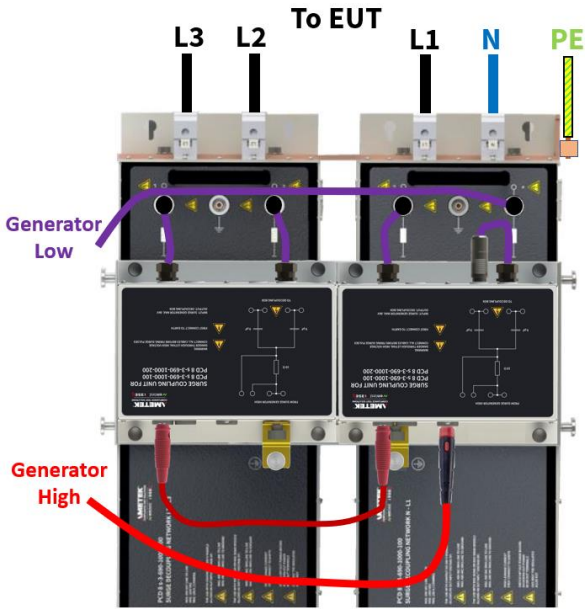


Supplemental 4 (ANSI B, 18  $\mu$ F, use jumper)

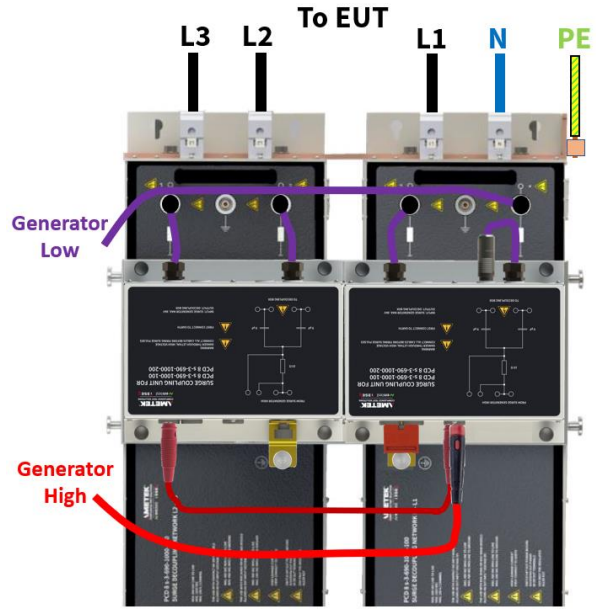
# PCD 8 s-3-690-1000-100/-200 Coupling Guide

December 22, 2020

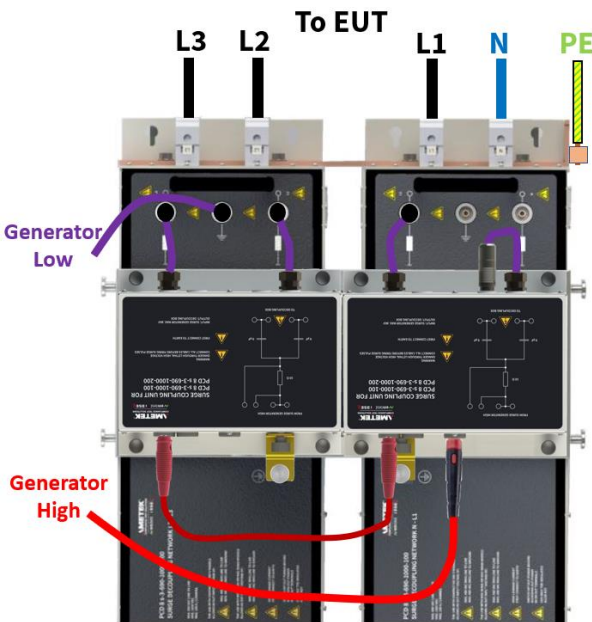
## ANSI Coupling, 5/5 (Diagnostic)



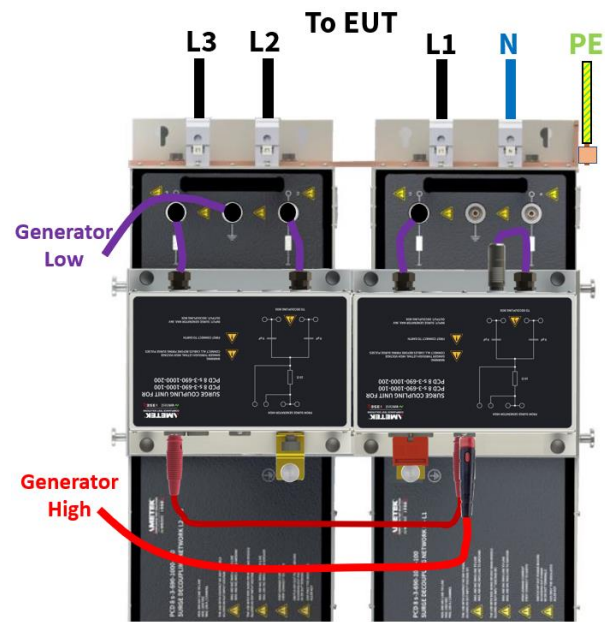
Diagnostic 1 (ANSI A, 9 μF, no jumper)



Diagnostic 1 (ANSI B, 9 μF, use jumper)



Diagnostic 2 (ANSI A, 9 μF, no jumper)



Diagnostic 2 (ANSI B, 9 μF, use jumper)