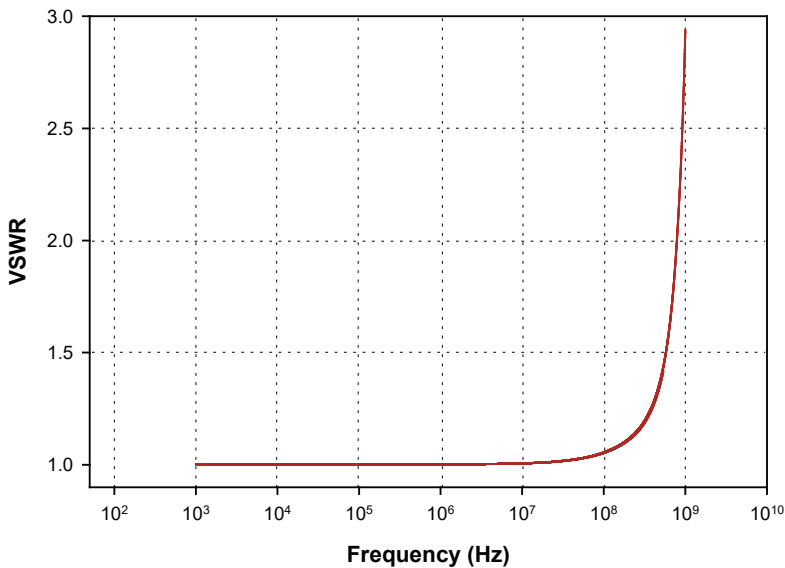
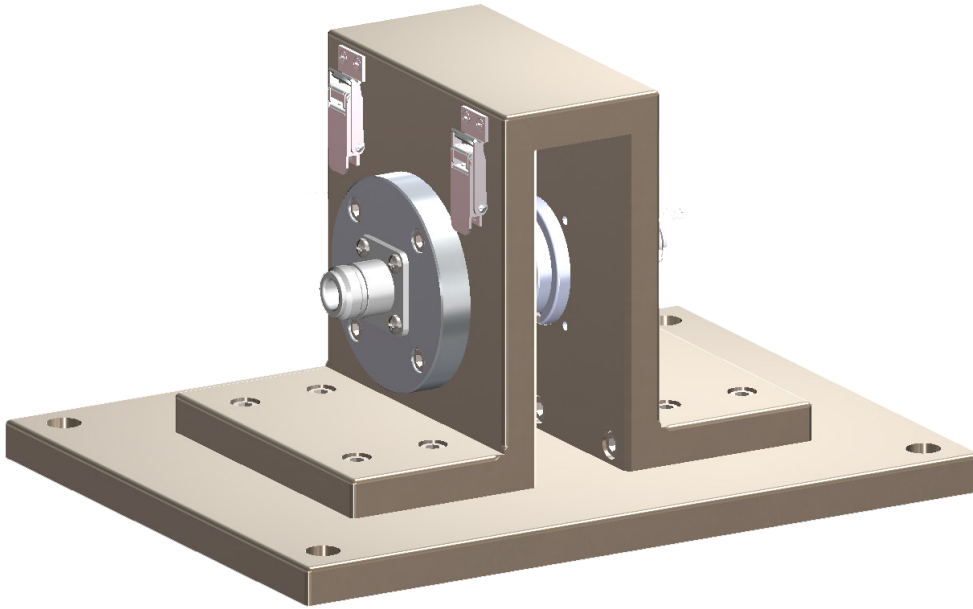


FCC-MPCF-3-32/71/19

CALIBRATION FIXTURE

The FCC-MPCF-3-32/71/19 Calibration Fixture is used to calibrate current probes. Four latches secure the top cover to the top half of the fixture. When the top cover of the fixture is removed, the current probe can easily be clamped around the center conductor.

This calibration fixture accommodates Fischer Custom Communications Current Probes with a 32 mm internal diameter, 71 mm outer diameter, and a 19 mm height.



Specifications

Frequency:	10 kHz – 1 GHz
VSWR:	< 1.5 : 1
Length:	225 mm
Width:	180 mm
Height:	155 mm

Current Probes

F-61C
F-65
F-65A

FCC

Fischer Custom Communications, Inc.

20603 Earl St., Torrance, CA 90503
Phone: 310-303-3300
Fax: 310-371-6268
Email: sales@fischercc.com

© Fischer Custom Communications, Inc.