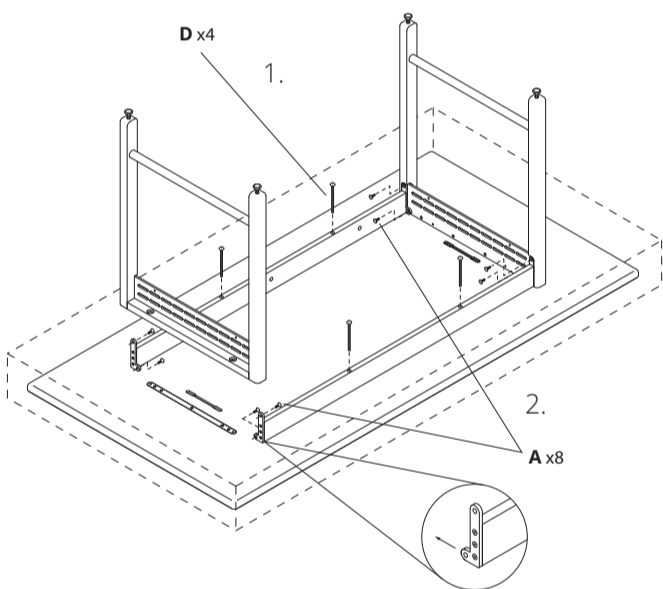
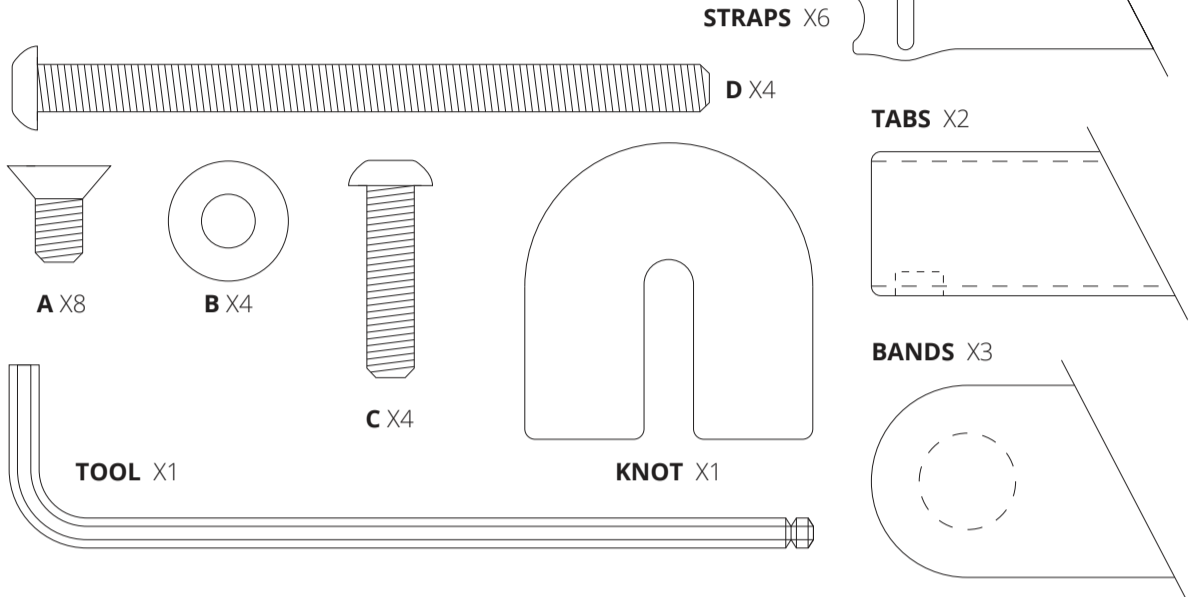


ARTIFOX

TABLE

COMPONENTS



ASSEMBLY

Remove Legs, Aprons and Components from the box to reveal the Top. Flip the Top upside down keeping it on the foam in the box or on a soft padded surface.

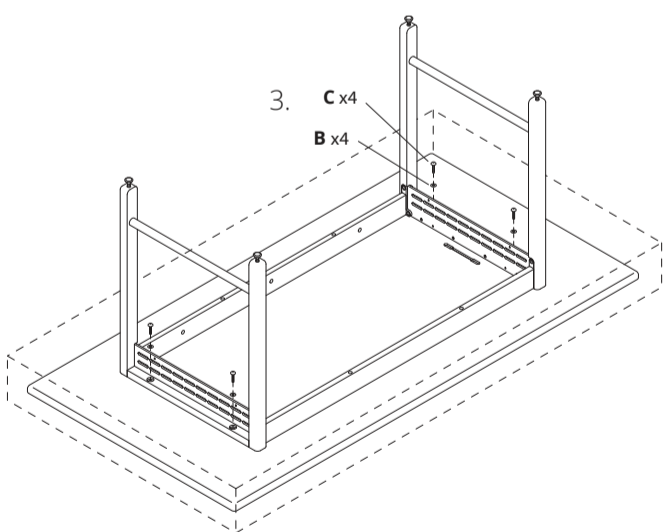
ATTACH APRONS to TOP

1. Use the four 3in bolts (D) to attach the two Aprons to the Top. Make sure magnets are facing in.

ATTACH LEGS to APRONS

2. Use the eight 1/2in counter-sunk bolts (A) to attach the two Leg-sets to the Aprons.

NOTE: The (A) bolts closest to the Table Top can be tricky, use the ball end of the tool to make it easier. Keep bolts loose enough to adjust while placing the rest of the bolts.



ATTACH TO TOP

3. Use the four 1in bolts (C) and four washers (B) to attach the Leg-sets to the inlays in the underside of the Top.

NOTE: Once all bolts are aligned and partially threaded, tighten all bolts (A,C&D).

FLIP

4. This is a two person process so grab a friend to help you flip once completed. Make sure all bolts are tight and flip it slowly.

NOTE: It's IMPORTANT that you adjust the feet to create a level and stable surface.

