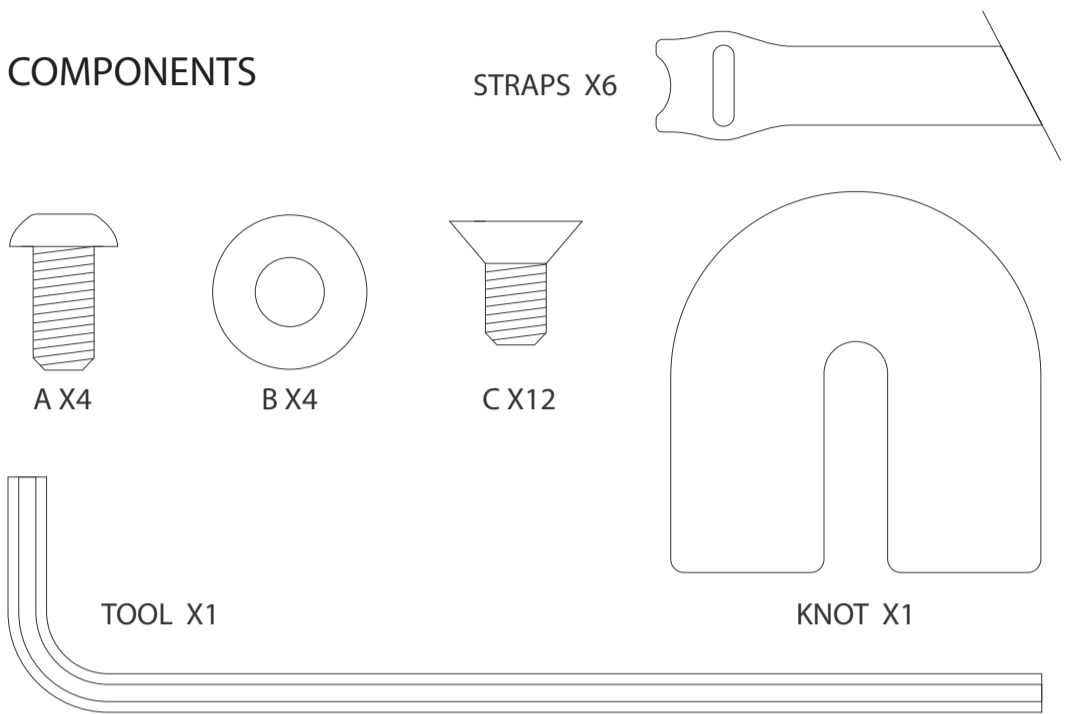


ARTIFOX

STANDING DESK

COMPONENTS



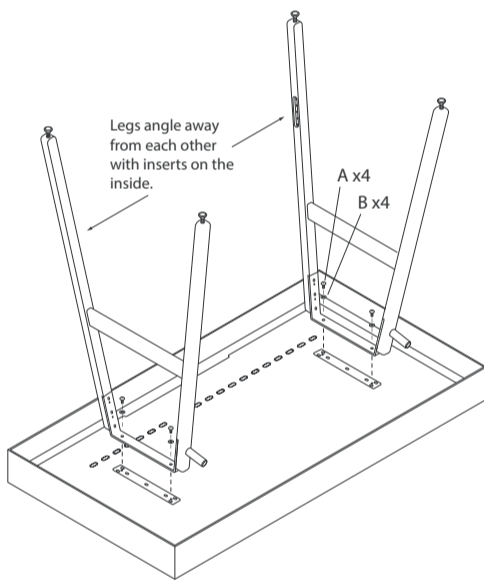
ASSEMBLY

Remove Legs, Grid and Components from the box to reveal Top. Flip Top upside down keeping it on the foam in the box or on a soft padded surface.

ATTACH LEGS

1. Use the four 1/2in bolts (A) and four washers (B) to attach the two leg-sets to the underside of the top.

NOTE: Keep bolts loose enough to adjust while attaching the Grid.



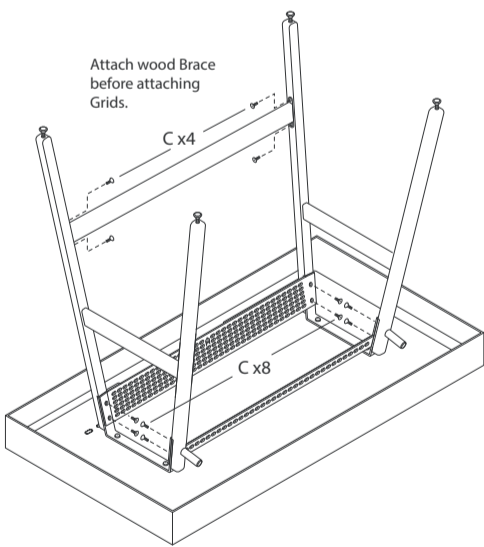
ATTACH WOOD BRACE

2. Use four of the 1/2in counter-sunk bolts (C) to attach the Brace to the rear inside of the leg-sets.

ATTACH GRIDS

3. Use the final eight 1/2in counter-sunk bolts (C) to attach the Grids to the inside of the leg-sets.

NOTE: Once all bolts are aligned and partially threaded, tighten all bolts (A&C).



FLIP

4. It's best to have someone help you flip the desk over once completed, but if you're flying solo, make sure to flip your desk towards the back.

NOTE: It's IMPORTANT that you adjust the feet to create a level & stable work surface.

