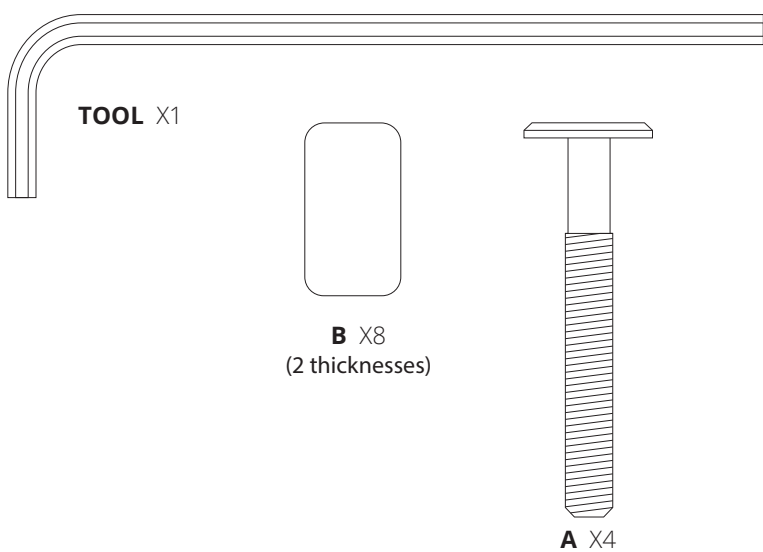


ARTIFOX

SIDE

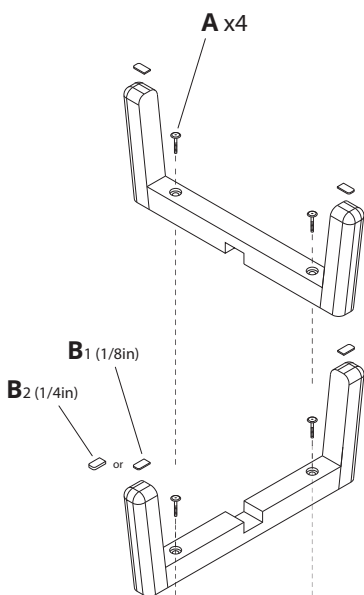
COMPONENTS



ASSEMBLY

Remove Legs, Cabinet and Components from the box. Flip Cabinet upside down keeping it on the foam or on a soft padded surface.

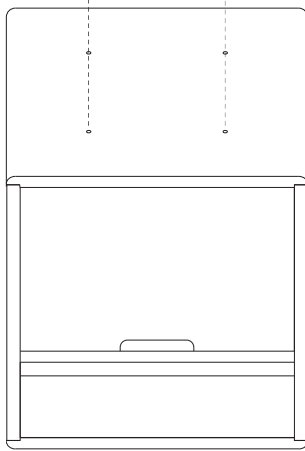
Be careful of the drawer sliding.



ATTACH LEGS

1. Use the four 2in bolts (A) to attach the two leg-sets to the underside of the Cabinet.

NOTE: Keep the bolts just loose enough to adjust while attaching the rest of the bolts.



FLIP

2. It's best to have someone help you flip the **SIDE** over once complete, but if you must, make sure you flip towards one of the solid sides.

NOTE: Use the supplied pads (B) to protect sensitive floors. You can also use the two different thicknesses to help level on uneven floors.

