

# ARTIFOX

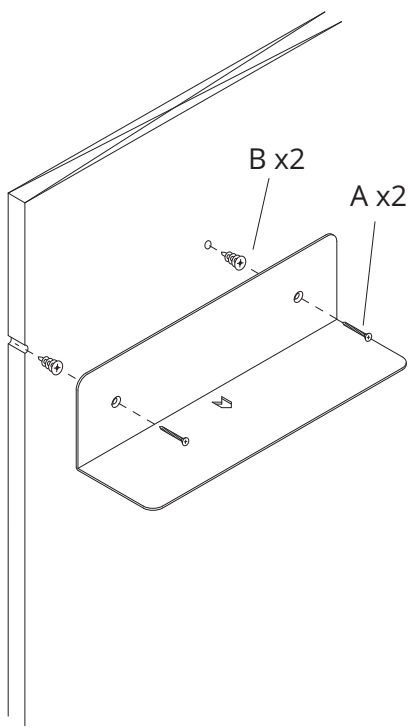
## MINI SHELF

### MOUNTING

MINI SHELF can be mounted in either orientation and can hold up to 10 lb (As long as your wall can handle it).

#### — DRYWALL

1. Hold your **MINI SHELF** in the desired position and mark the 2 holes (Making sure it's level).
2. Drill 1/4in pilot holes through your marks, making sure not to hit electrical, plumbing, etc.
3. Using a large phillips-head driver, screw the anchors (**B**) into the holes until flush with wall.
4. Hold your **MINI SHELF** up to the anchors and screw the provided mounting screws (**A**).



#### — STUDS OR WOOD PANELS

1. Hold your **MINI SHELF** in the desired position and mark the 2 holes (Making sure it's level).
2. Drill 1/16in pilot holes through your marks, making sure not to hit electrical, plumbing, etc.
3. Hold your **MINI SHELF** up to the holes and screw the provided mounting screws (**A**).

#### NOTES

If necessary you can combine these techniques.

If you're mounting to other surfaces make sure to use anchors that fit #8 screws or if you're using specialty screws be sure they have a similar size and head-shape.

