

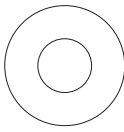
ARTIFOX

DESK 02

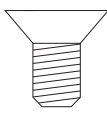
COMPONENTS



A X4

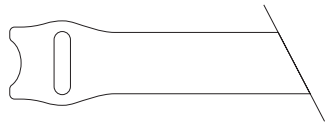


B X4

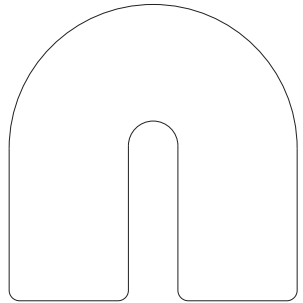


C X4

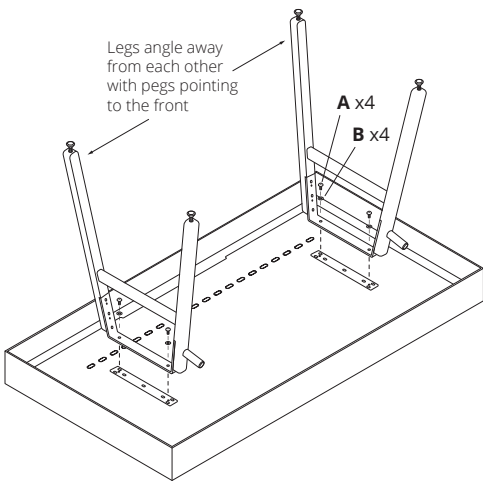
STRAPS X6



TOOL X1



KNOT X1



Legs angle away from each other with pegs pointing to the front

A x4

B x4

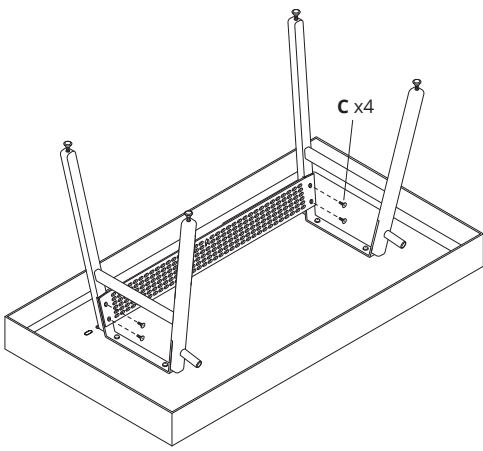
ASSEMBLY

Remove Legs, Grid and Components from the box to reveal Top. Flip Top upside down keeping it on the foam in the box or on a soft padded surface.

ATTACH LEGS

1. Use the four 1/2in bolts (A) and four washers (B) to attach the two leg-sets to the underside of the top.

NOTE: Keep bolts loose enough to adjust while attaching the Grid.



C x4

ATTACH GRID

2. Use the four 1/2in counter-sunk bolts (C) to attach the grid to the inside of the leg-sets.

NOTE: Once all bolts are aligned and partially threaded, tighten all bolts (A&C).

FLIP

3. It's best to have someone help you flip the desk over once completed, but if you're flying solo, make sure to flip your desk towards the back.

NOTE: It's **IMPORTANT** that you adjust the feet to create a level & stable work surface.

