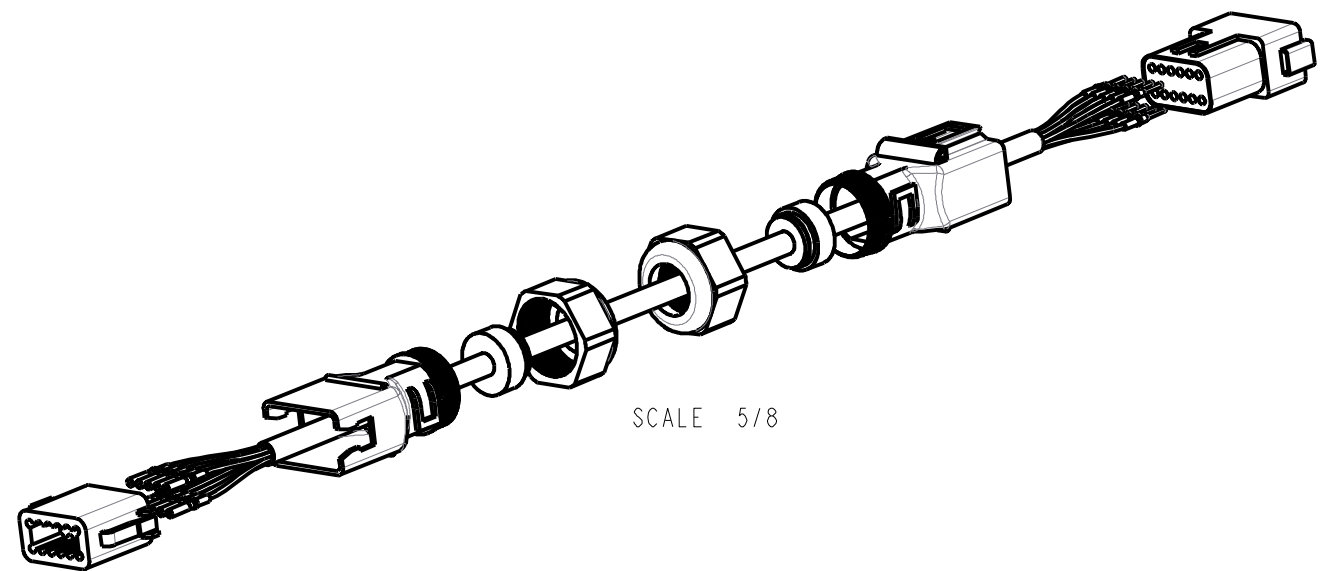
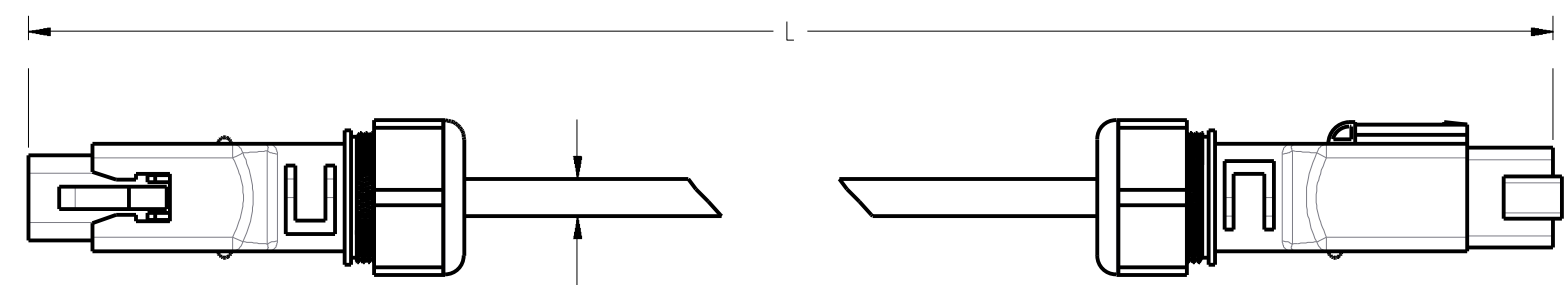
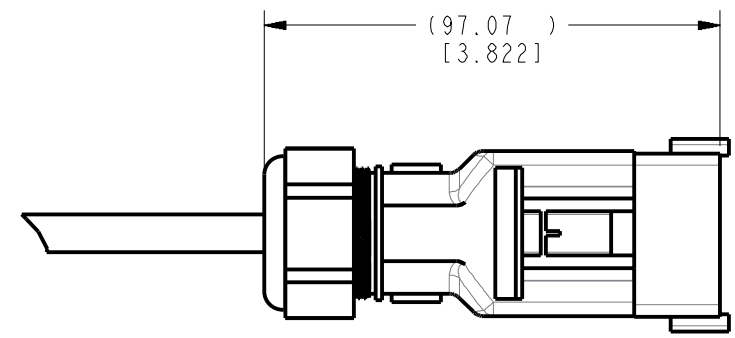
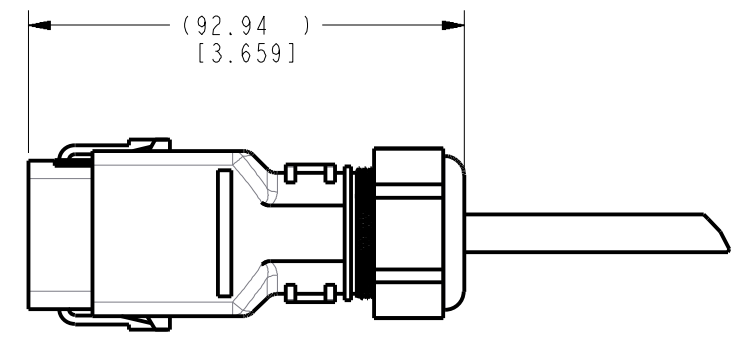


REVISIONS			
LTR	DESCRIPTIONS	DATE	APPR
A	RELEASED PER ECN #1028	6/12/14	JSF/SDR



SCALE 5/8



8.00 MAX
[3.15]
MIN BEND RADIUS: 68.6 [2.7 in]

PART NUMBER	L
95010-096L1	457.2±25 [18±1]

1	MAKE FROM: 75010-187	ITEM NO.
QTY	MATERIAL/SPECIFICATION	

UNLESS OTHERWISE SPECIFIED: DIMENSIONS ARE IN MM		DATE: 6/12/14	 UQM TECHNOLOGIES, INC. 4120 SPECIALTY PLACE LONGMONT, CO. 80504
LINEAR DIM	TOL	6/10/14	
X.XX mm	± 0.1		TITLE HALL CABLE EXTENSION, SPM-195
X.X mm	± 0.2		
X mm	± 0.5		SIZE: C SCALE 1/1 DWG NO. 95010-096 REV A
ANGULAR	X ± 1°		
	X, X ± .5°		RELEASE DATE:
DO NOT SCALE DRAWING	APPROX. WT	TBD	SHEET 1 OF 1