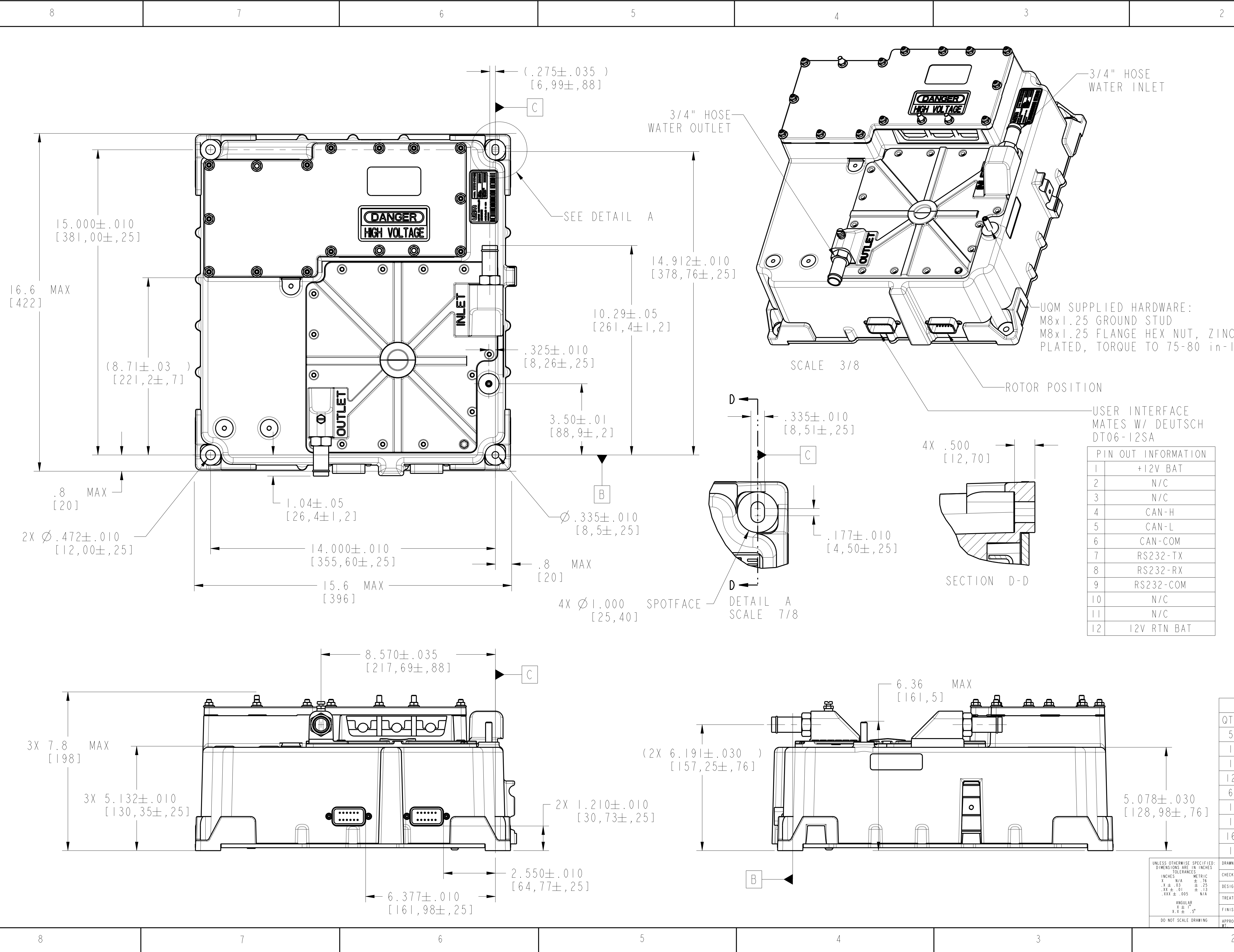


REVISIONS			
LTR	DESCRIPTIONS	DATE	APPR
A	RELEASED PER ECN #556	6/22/12	ALG/SDR
B	CHANGED PER ECN #592	8/30/12	ALG/SDR
C	CHANGED PER ECN #610	10/1/12	ALG/JSF
D	CHANGED PER ECN #1167	12/11/15	JSF/SDR
E	CHANGED PER ECN 1222	12/9/16	JSF/TH
E2	CHANGED PER ECN #1393	3/28/19	JSF/BB



USER INTERFACE MATES W/ DEUTSCH DT06-12SA

PIN OUT INFORMATION	
1	+12V BAT
2	N/C
3	N/C
4	CAN-H
5	CAN-L
6	CAN-COM
7	RS232-TX
8	RS232-RX
9	RS232-COM
10	N/C
11	N/C
12	12V RTN BAT

FLOW (Liters/Min)	PRESSURE DROP (kPa)
7.6	1.72
9.5	2.75
11.4	4.13
13.2	5.86
15.1	9.99
17	11.72
18.9	14.48
22.7	20.34
26.5	26.89
30.3	34.13
34.1	42.40

COOLANT CHANNEL VOLUME - .337 L

SHIP KIT COMPONENTS	
QTY	DESCRIPTION
5	07010-088 M8x1.25 X 16 LG, FLANGED HHCS
1	07020-013 M8x1.25 NUT
1	80021-154 DEUTSCH DT06-12SA
12	80021-057 DEUTSCH SOCKETS
6	80021-060 PLUGS DEUTSCH
1	80021-058 WEDGE LOCK
1	95020-023 DC CABLE ASSEMBLY
16	07020-011 M6x1 FLANGE HEX NUT
1	15090-021 TERMINATION COVER ASM

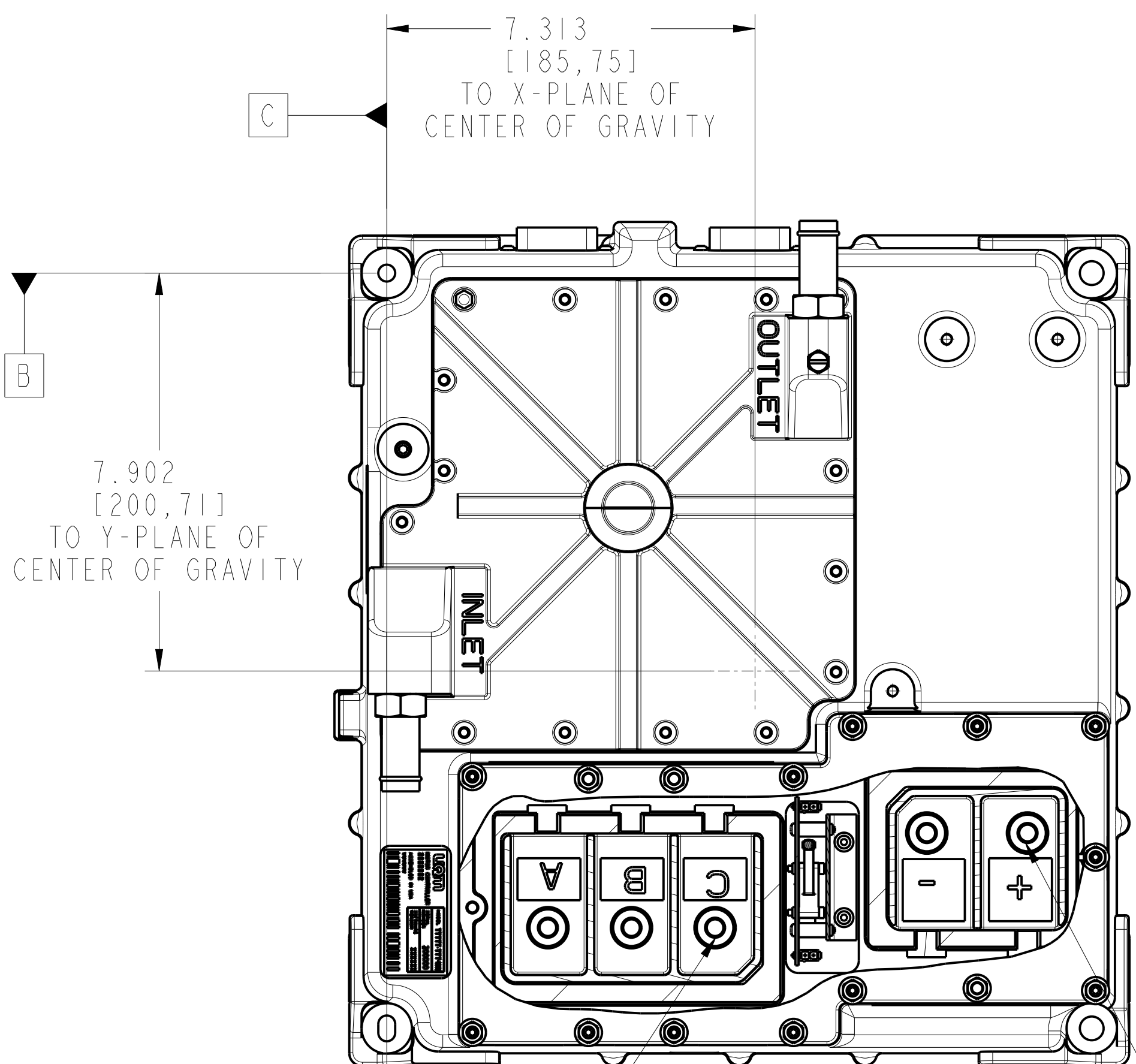
UNLESS OTHERWISE SPECIFIED: DIMENSIONS ARE IN INCHES TOLERANCES

INCHES	METRIC
X ± .03	± .76
XX ± .01	± .25
XXX ± .005	N/A

ANGULAR X ± 1°

DO NOT SCALE DRAWING

DRAWN: JSF	DATE: 25-Mar-12	UQM UQM TECHNOLOGIES, INC. 4120 SPECIALTY PLACE LONGMONT, CO 80504
CHECKED: SDR	TBD	
DESIGNED: JSF	7/16/09	TITLE: 600AMP, PPI35 CONTROLLER OVERVIEW
TREATMENT: N/A		SIZE: D SCALE 7/16 DWG NO. 1000T-014 REV F2
FINISH: N/A		RELEASE DATE: SHEET 1 OF 2
APPROX. WT: 65 lbs		



7.313
[185,75]
TO X-PLANE OF
CENTER OF GRAVITY

7.902
[200,71]
TO Y-PLANE OF
CENTER OF GRAVITY

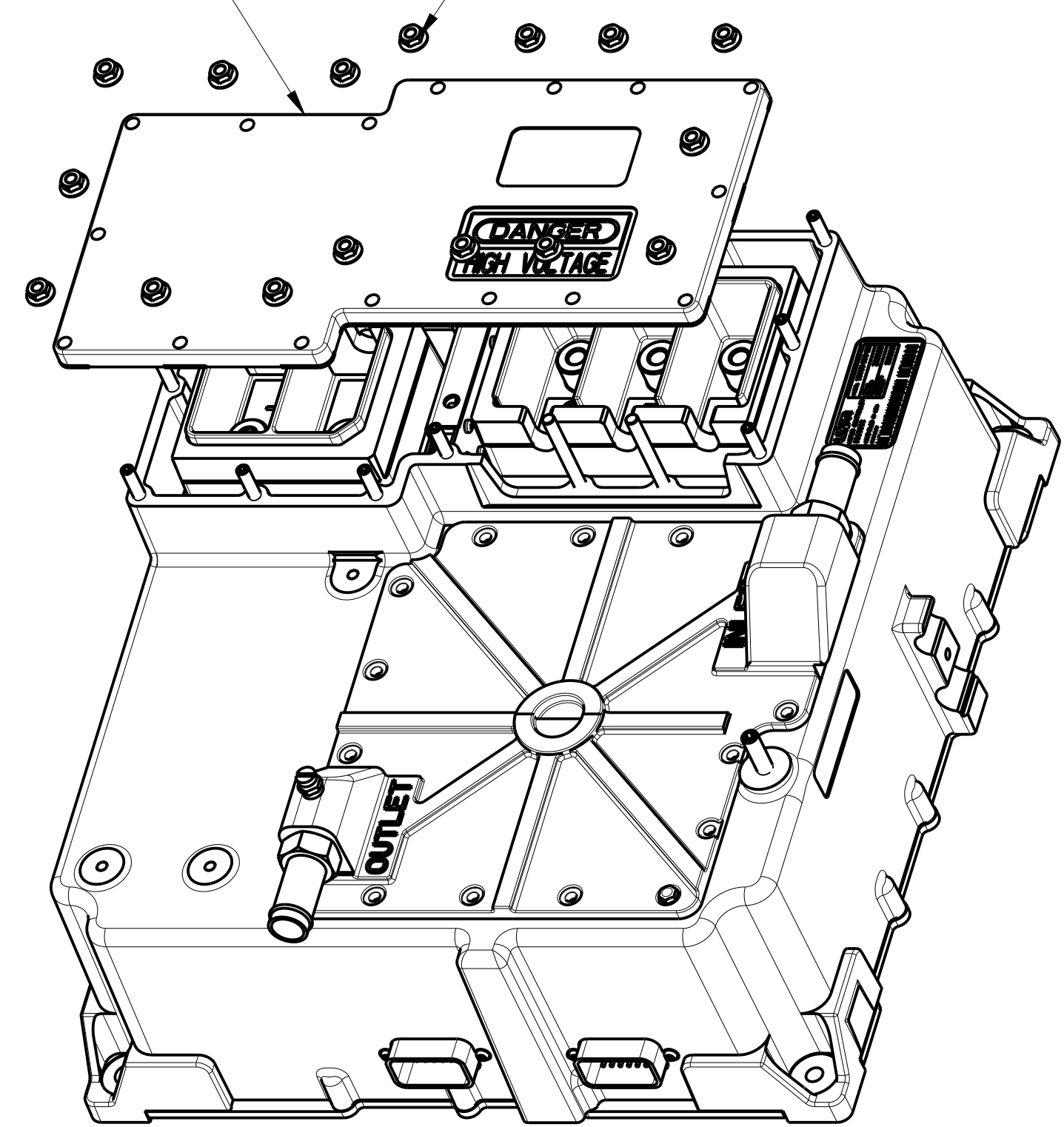
SECTION B-B

PHASE LEAD CONNECTION
UQM SUPPLIED HARDWARE:
3X M8x1.25 X 16mm LG, ZINC PLATED
FLANGE HEX HEAD, TORQUE TO 19 ft-lbs

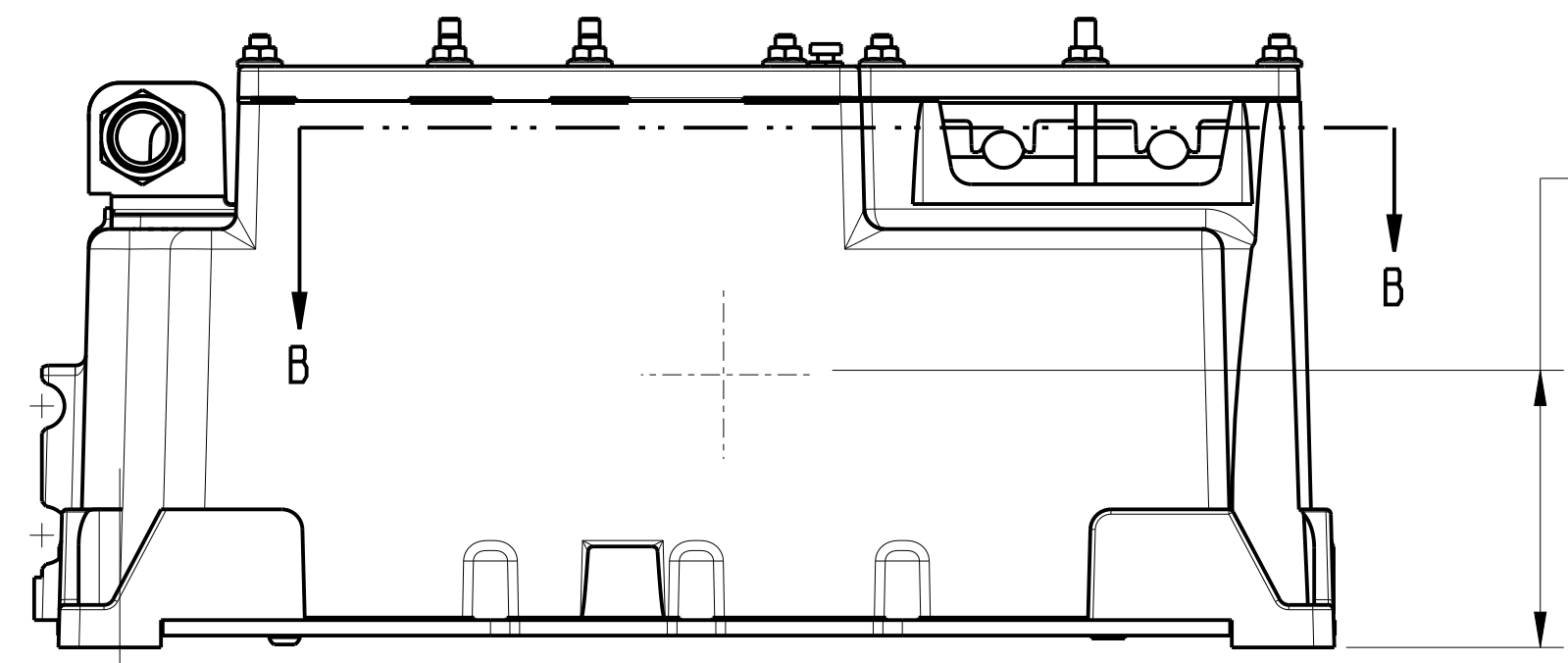
DC LEAD CONNECTION
UQM SUPPLIED HARDWARE:
M8x1.25 X 16mm LG, ZINC PLATED
FLANGE HEX HEAD, TORQUE TO 19 ft-lbs

15090-021, TERMINATION
COVER, ASSEMBLY
NOT INSTALLED AT UQM

UQM SUPPLIED HARDWARE:
16X FLANGE HEX NUT, M6x1, SS,
TORQUE TO 25 in-lbs



SCALE 3/8



3.364
[85,45]
TO Z-PLANE OF
CENTER OF GRAVITY

UNLESS OTHERWISE SPECIFIED: DIMENSIONS ARE IN INCHES TOLERANCES INCHES METRIC X N/A ± .75 XX ± .03 ± .25 XXX ± .01 ± .12 XXX ± .005 N/A ANGULAR X ± .1° X, X ± .5°	DRAWN: JSF	DATE: 24-Aug-19	UQM TECHNOLOGIES, INC. 4120 SPECIALTY PLACE LONGMONT, CO 80504	
	CHECKED:			TITLE
	DESIGNED:			600AMP, PPI35
	TREATMENT			CONTROLLER OVERVIEW
DO NOT SCALE DRAWING	FINISH	APPROX. WT.	SIZE: D SCALE 7/16 DWG NO. 1000T-014 REV. F.2 RELEASE DATE: SHEET 2 OF 2	