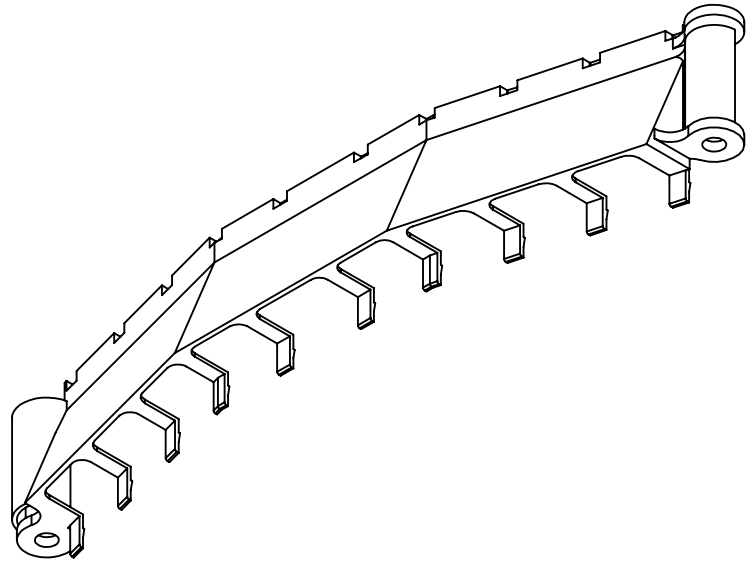
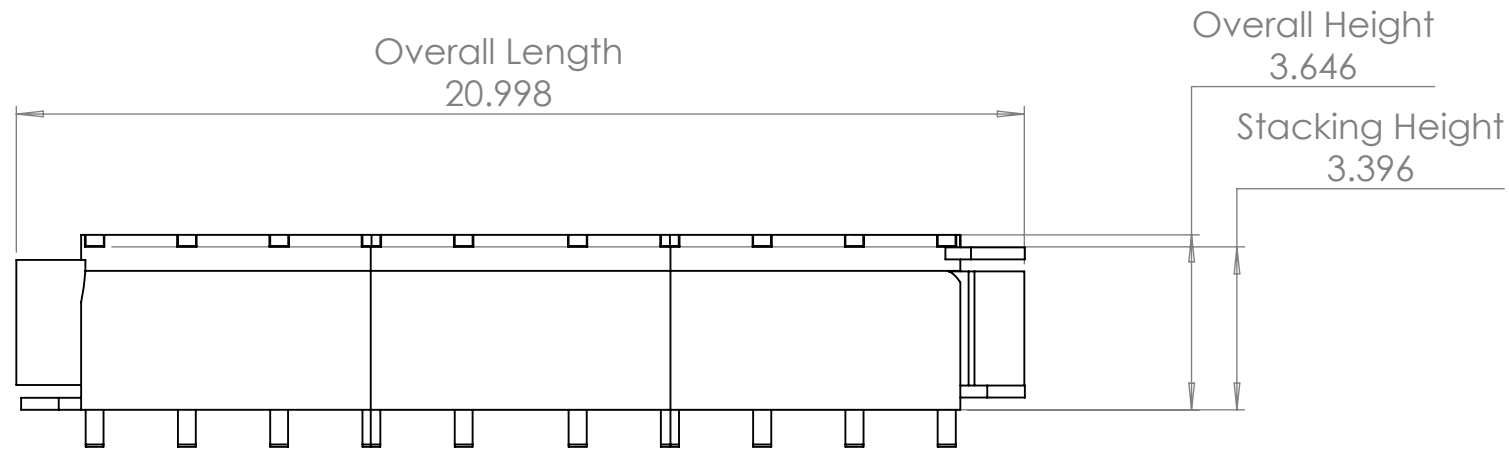
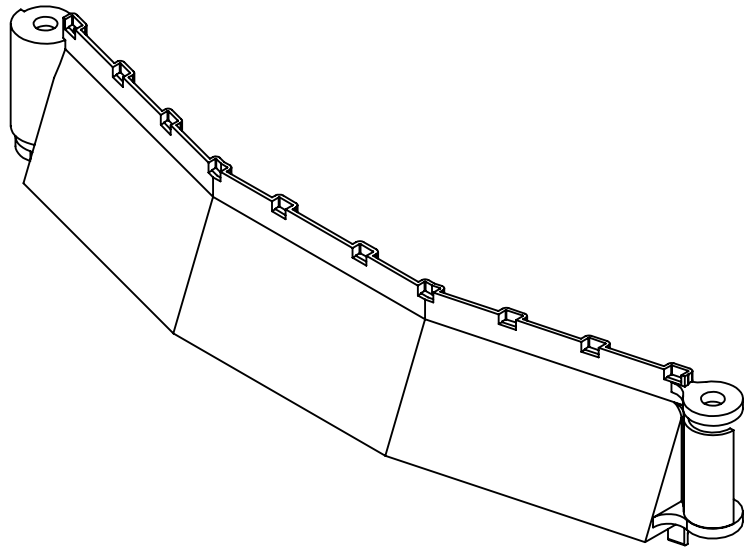
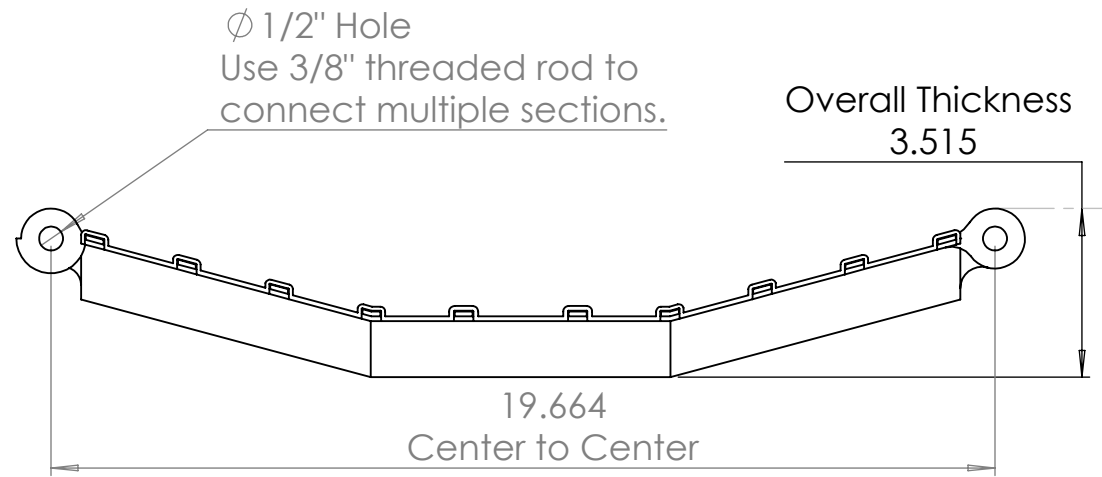


REV.	DRAWN BY	DESCRIPTION	DATE
1	SCD	Part Design Documented for Customer Reference	4/5/2017



THE DRAWING AND/OR TECHNICAL INFORMATION CONTAINED HEREIN IS CONFIDENTIAL AND IS THE PROPERTY OF PLASTIC DESIGNS, INC. IT MAY NOT BE REPRODUCED OR DISCLOSED WITHOUT THE SPECIFIC WRITTEN AUTHORIZATION OF PDI



Plastic Designs, Inc.

DESCRIPTION: Quick Drain Filter Side Wall Piece

UNLESS OTHERWISE SPECIFIED:
ALL DIMENSIONS HAVE PDI
COMMERCIAL INJECTION
MOLDING TOLERANCES SHOWN
ON PAGE 2 OF THIS DRAWING.

VIEWS SHOWN AS THIRD
ANGLE PROJECTION

SIZE B	SCALE 1:4	PART NUMBER:	REV 1
------------------	--------------	--------------	----------

Part Mass:	Material: HDPE Yellow	DO NOT SCALE DRAWING	SHEET 1 OF 2
------------	--------------------------	----------------------	--------------