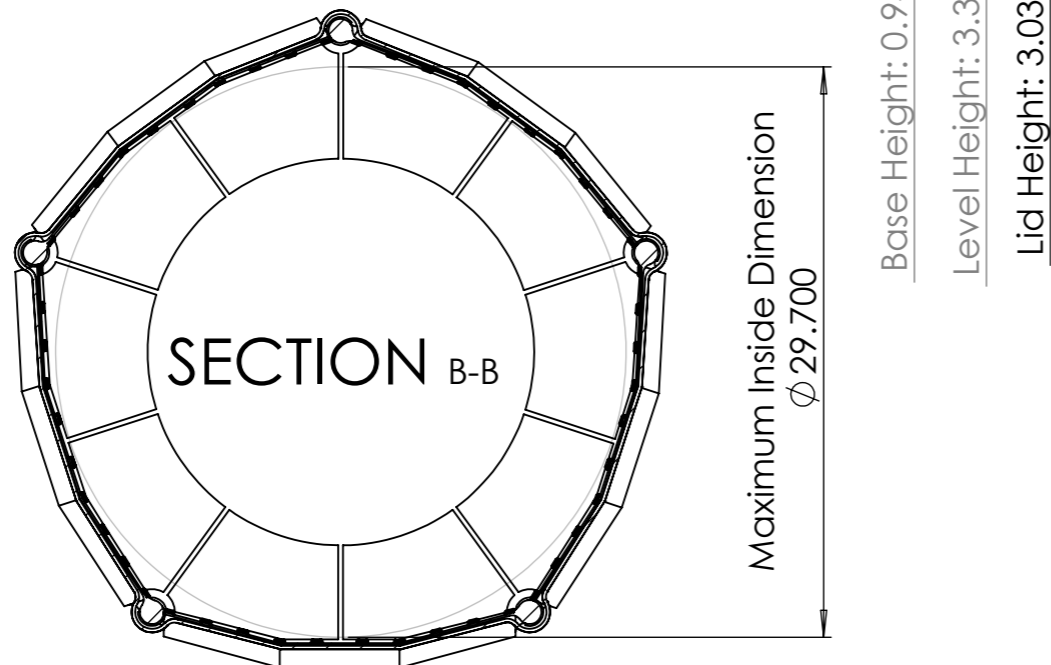


Each Quick Drain Filter is reconfigurable. You can select from between 4 and 6 sides and up to 10 levels. The Quick Drain Filter shown here has 5 sides.

The inlet area is 14.53in<sup>2</sup> per section. For example, a 5 sided Quick Drain Filter with 6 levels (like the one shown here) has a total inlet area of  
 $(14.53) * (5) * (6) = 435.90 \text{ in}^2$ .

Each level has an inlet area of  
 $(14.53) * (5) = 72.65 \text{ in}^2$ .

Assemble with a threaded rod (sold separately) at each corner. We recommend using 3/8-16 threaded rods.



THE INFORMATION CONTAINED IN THIS DRAWING IS THE SOLE PROPERTY OF AGSOLUTIONS. ANY REPRODUCTION IN PART OR AS A WHOLE WITHOUT THE WRITTEN PERMISSION OF AGSOLUTIONS IS PROHIBITED.				DEBUR AND BREAK SHARP EDGES		DO NOT SCALE DRAWING		REVISION			
				Drawing by AgSolutions							
DRAWN				NAME				SIGNATURE		DATE	
CHK'D				NAME				SIGNATURE		DATE	
APPV'D				NAME				SIGNATURE		DATE	
MFG				NAME				SIGNATURE		DATE	
Q.A				NAME				SIGNATURE		DATE	
				MATERIAL:				DWG NO.		A3	
				WEIGHT: lbs				SCALE: 1:10		SHEET 1 OF 1	