



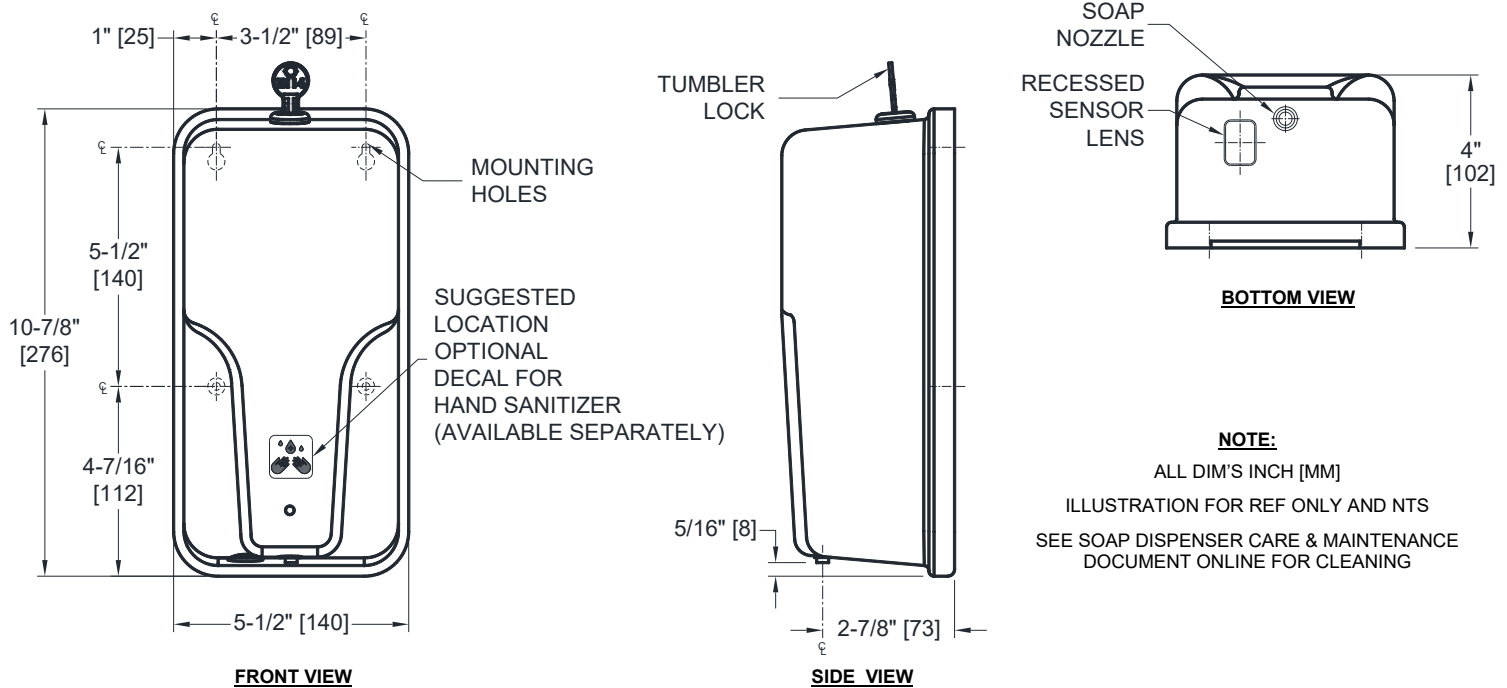
AMERICAN SPECIALTIES, INC.
 441 Saw Mill River Road, Yonkers, NY 10701
 (914) 476.9000 • (914) 476.0688
 www.americanspecialties.com

MODEL №: 20364

ISSUED: 08-09

REVISED: 22 MAY 2020

AUTOMATIC SOAP AND GEL HAND SANITIZER DISPENSER



NOTE:
 ALL DIM'S INCH [MM]
 ILLUSTRATION FOR REF ONLY AND NTS
 SEE SOAP DISPENSER CARE & MAINTENANCE
 DOCUMENT ONLINE FOR CLEANING

SPECIFICATION

Automatic Soap and Gel Hand Sanitizer Dispenser shall hold 34 oz [1 L] of liquid soaps, lotions, liquid hand sanitizer or gel hand sanitizer having a pH in range 7 ± 1.5 and soaps, lotions or liquid hand sanitizer only having viscosity in range 50–3.5k cP (mm²/s [mPa•s]) or gel sanitizers having viscosities in range 3.5k - 23k cP (mm²/s [mPa•s]) and will dispense in cycles of a single shot volume of 0.03 ± 0.002 oz (0.8 ± 0.05 ml). Operation is initiated by hands-free sensor controlled by microprocessor digital circuitry powered by six (6) AA size 1.5 V batteries (by others) in a concealed compartment and locked inside unit bottom. Unit shall be 22 gauge type 304 stainless steel alloy 18-8. All exposed surfaces shall be satin finish. Cover shall have lock keyed alike with other ASI washroom accessories. Unit shall have an LED to indicate function and operational condition on front face. Internal tank shall be translucent to show level of filled product supply remaining at any time when cover is opened and shall have an internal shut-off valve to facilitate filling and external storage of full tanks. Unit shall mount to wall on concealed base plate with screws secured under locked cover. Mounting Template (MT), Owner's Manual and Installation Guide (OM & IG) shall be provided with unit in each carton. A label is available separately for Owner to place on dispenser indicating sanitizer operation.

Automatic Soap Dispenser and Gel Hand Sanitizer shall be Model № 20364 of American Specialties, Inc., 441 Saw Mill River Road, Yonkers, New York 10701-4913

INSTALLATION

Secure concealed base plate to wall with four (4) self-threading screws (supplied: two (2) № 8 x 3/4" [M4.5 x 20] pan-head & two (2) № 8 x 3/4" [M4.5 x 20] flat-head) through mounting holes provided in plate into plastic wall anchors (by others) or other suitable mounting system (by others). For compliance with 2010 ADA Accessibility Standards install unit so that bottom of unit is 48" [1219] maximum above finished floor (AFF). Minimum distance to counter top is 12" [305]. Alternatively, unit may be installed on stand (Model № FS-0300) with mounting hardware supplied with stand. Install six (6) AA-size 1.5V batteries (by others) in concealed battery compartment according to polarity indication and snap-latch battery door. Fill tank with appropriate viscosity soap or sanitizer to correct level and lock door. Locking door activates concealed button to initiate operation. Retain key provided for future access.

OPERATION

Unit shall operate each time an object is positioned within the sensing distance of $3-1/8$ " [80] \pm $3/8$ " [10] from unit bottom. A drop of 0.03 ± 0.002 oz [0.8 ± 0.05 ml] of product supply will be pumped out of the nozzle on unit bottom for each activation while batteries are at suitable charge level (LED is not flashing) and correct viscosity soap or sanitizer is present in the tank. Door has lock to provide security and vandal resistance after each soap refill and battery change service interval.