

touchstone

Smart Furniture. Beautiful Solution.

Add-on Component Shelf Installation Guide



Part Number : 25021

Table of Contents#

Assembling Component Shelf 4

Touchstone Home Products Limited Warranty 11

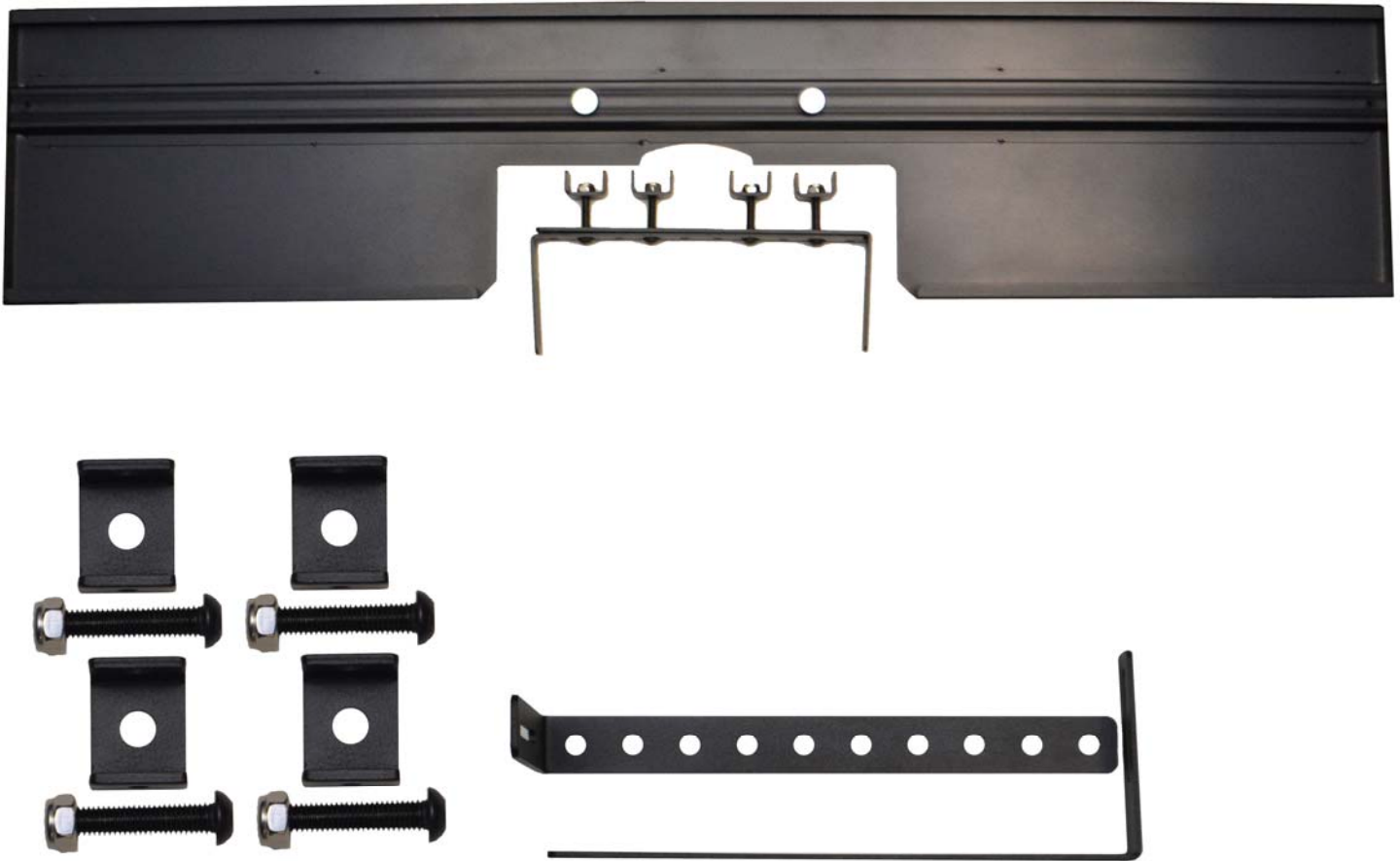
Assembling Component Shelf

Tools Needed:

- adjustable wrench
- size 5 metric hex wrench

Component Shelf Parts

- component shelf
- 2 shelf brackets
- 4 spacers
- 4 nuts and bolts



Assembly Instructions:

- 1. After unpacking the shelf, remove the 2 thumb screws from the bottom of the shelf.



Assembling Component Shelf – cont

2. Line up shorter end of shelf bracket with hole in bottom of shelf. The hole in the bracket is elongated for adjustment of shelf depth.



3. Install both shelf brackets by attaching the 2 thumb screws removed from the shelf in step 1.

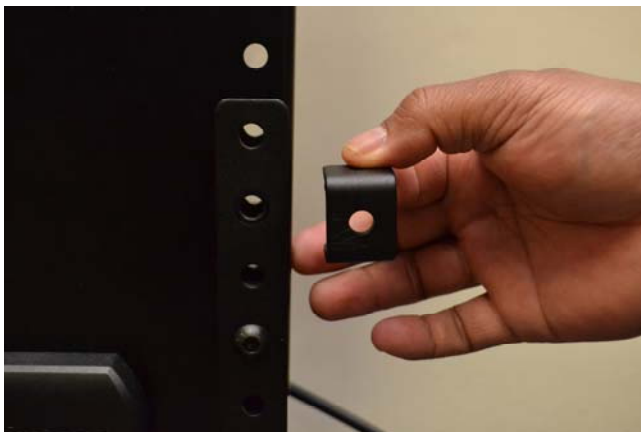


Assembling Component Shelf – cont

4. Once both brackets are installed, use an adjustable wrench to tighten the screws so the brackets cannot move.



5. Once the shelf is assembled, attach the shelf to the lift. Line the vertical holes in the shelf brackets up with the vertical holes in the lift. Once aligned, install spacer in 2nd hole down from the top of the bracket, as shown below.



Assembling Component Shelf – cont

6. Once the spacer is lined up, install the nut and bolt to tighten the spacer to the lift. Use a size 5 metric hex head wrench and adjustable pliers to tighten the nut and bolts.



Thread bolt through bracket and spacer



Tighten bolt and nut



Spacer installed

Assembling Component Shelf – cont

7. Install all 4 spacers to attach the shelf to the lift. Once installed, the shelf is ready for use.



Shelf brackets installed.

******CAUTION: After attaching the component shelf to the lift, please check to ensure that the component shelf clears the front of the cabinet when lowered. Do not attempt to lower lift if it appears the shelf will hit the front of the cabinet.***

Touchstone Home Products Limited Warranty

Warranty Coverage

Touchstone Home Products, Inc warrants the lift mechanism and control box units to be free of defects in material and workmanship for one year. Touchstone will repair or replace any lift mechanism and/or control box unit that is defective or becomes defective during normal use within one year after the date of purchase.

Touchstone does not warrant its products against damage caused by third parties.

The warranty does not cover paint scratches, cosmetic blemishes, or other normal wear and tear associated with the cabinet.

Extended warranty coverage for the lift mechanism is available by contacting Touchstone directly at 1-800-215-1990.

