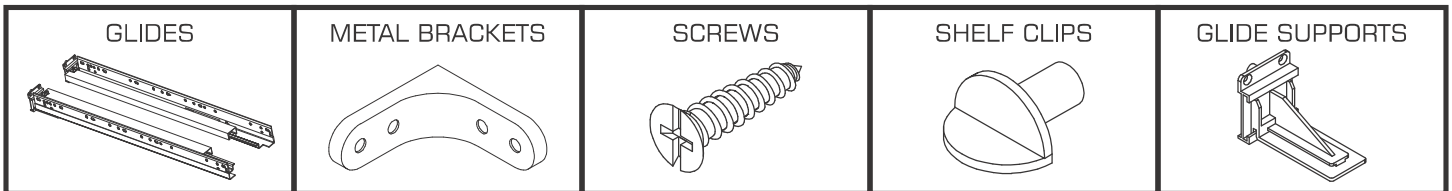
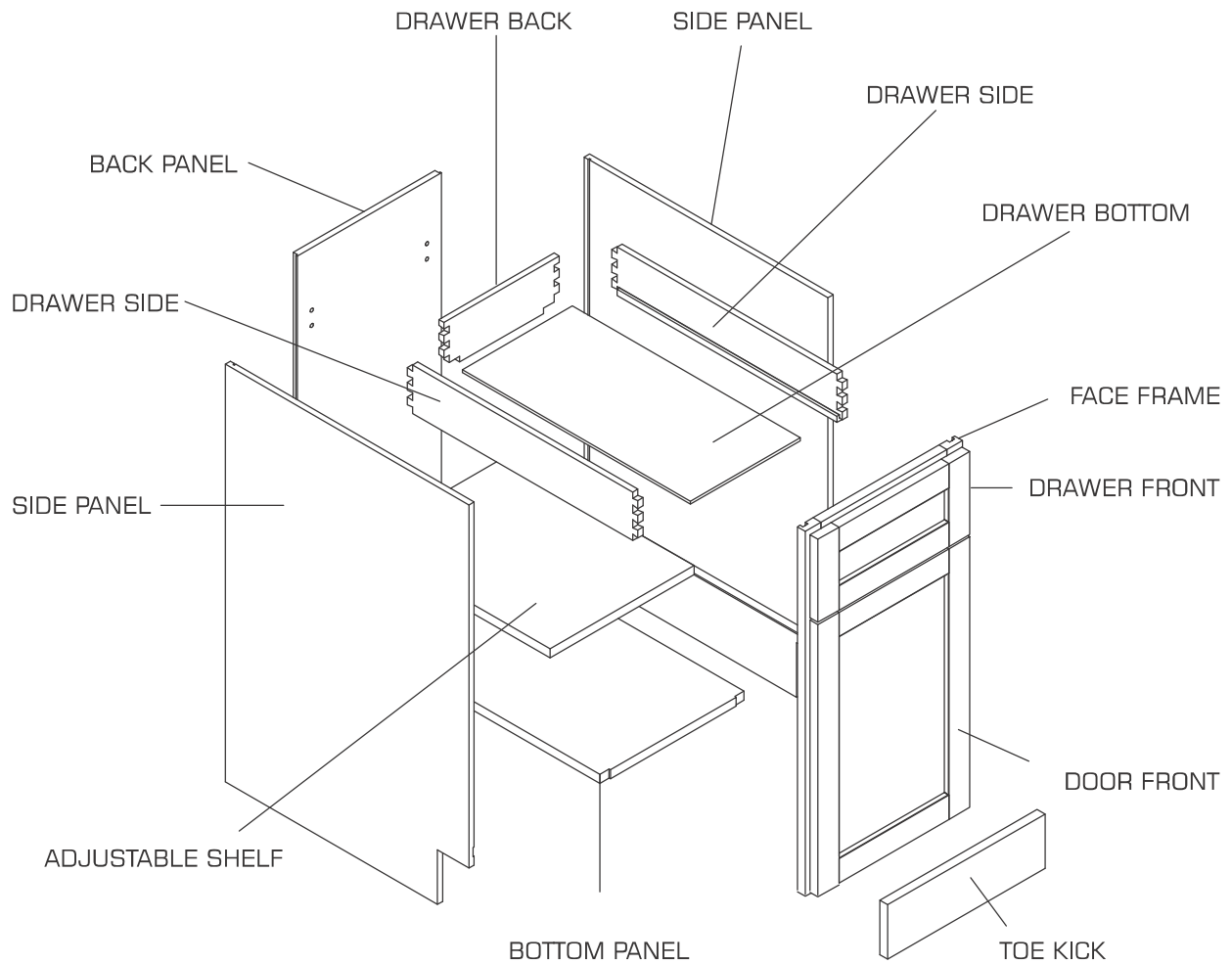


TABLE OF CONTENTS

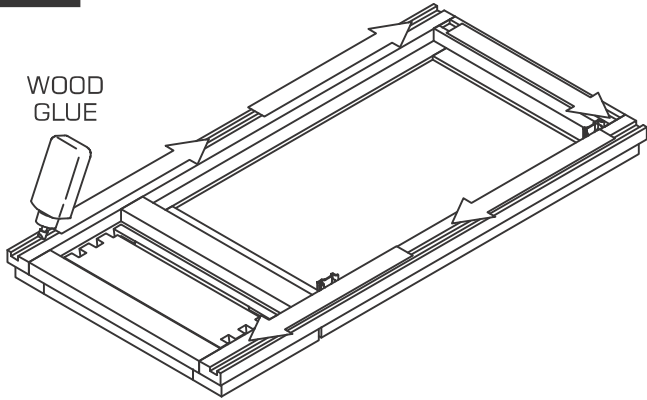
Assembling Instructions - Base Cabinet	3-6
Assembling Instructions - Lazy Susan Corner Base Cabinet	7-12
Assembling Instructions - Blind Corner Base Cabinet	13-18
Assembling Instructions - Base 3 Drawers Cabinet	19-24
Assembling Instructions - Wall Cabinet	25-27
Assembling Instructions - Wall Diagonal Corner Cabinet	28-32
Assembling Instructions - Pantry	33-38
Assembling Instructions - Oven Cabinet	39-45
Assembling Instructions - Vanity	46-51

ASSEMBLING INSTRUCTIONS - BASE CABINET

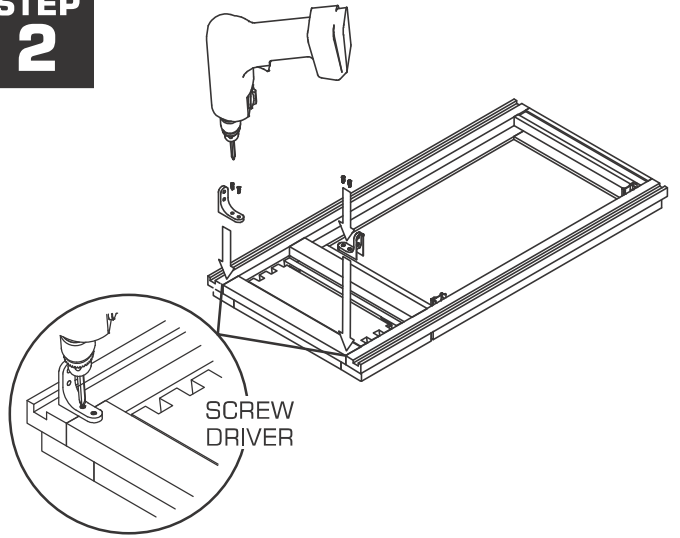
BASE CABINET



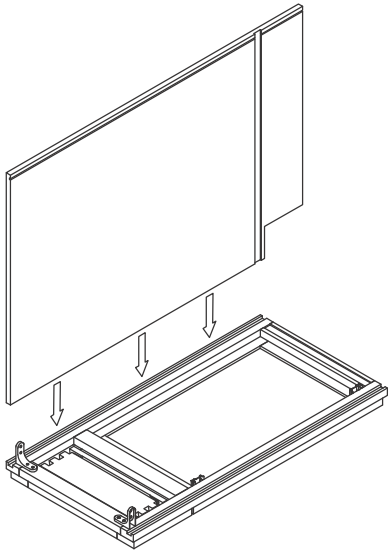
STEP 1



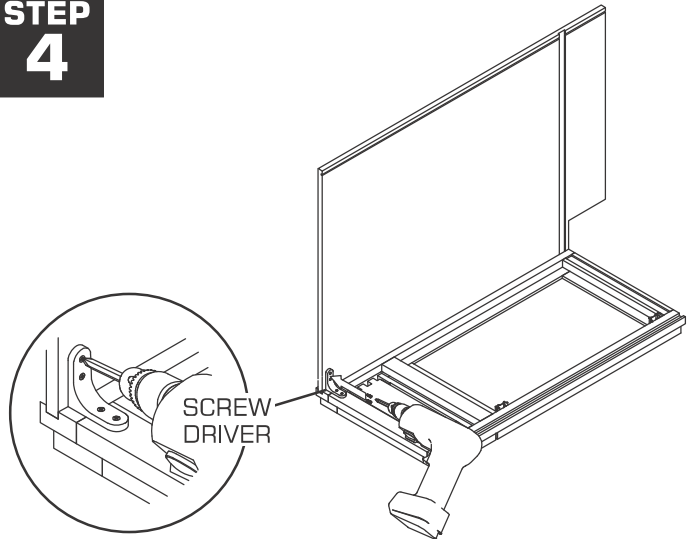
STEP 2



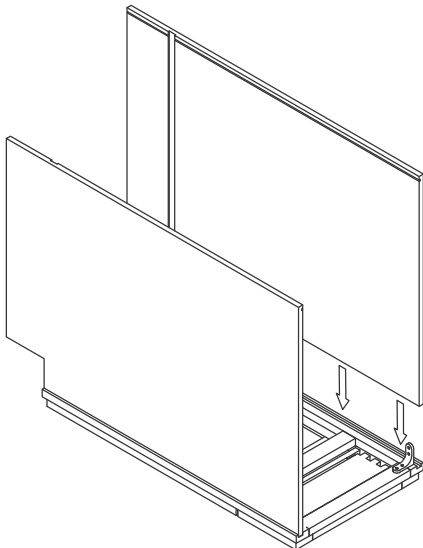
STEP 3



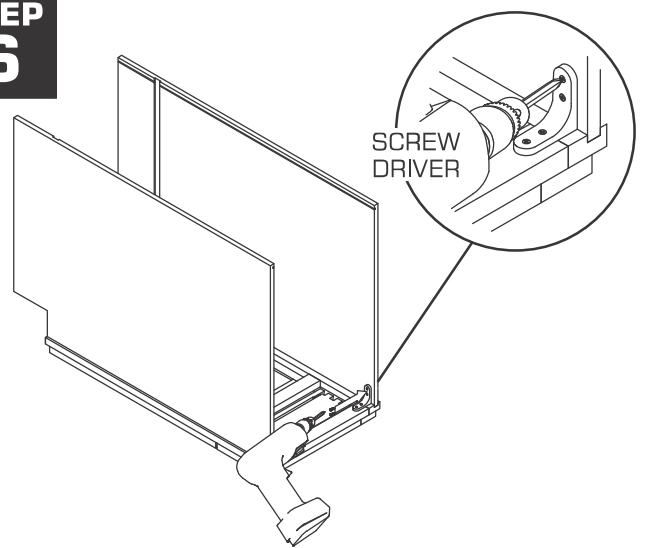
STEP 4



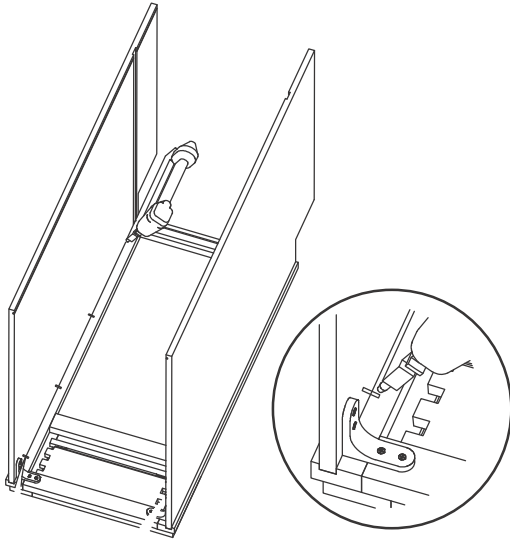
STEP 5



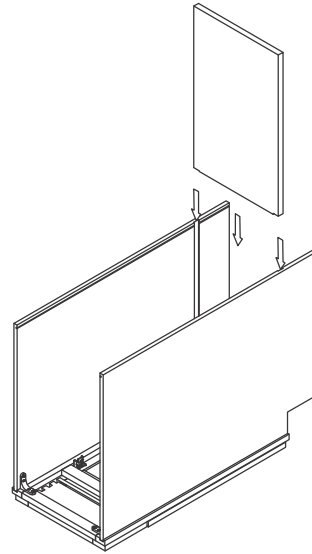
STEP 6



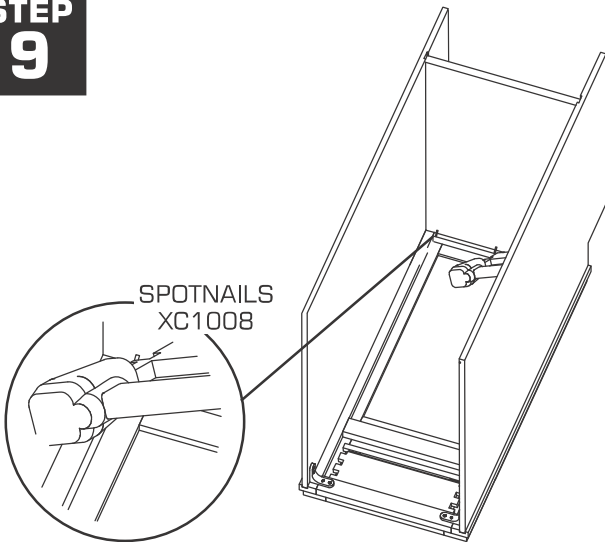
STEP 7



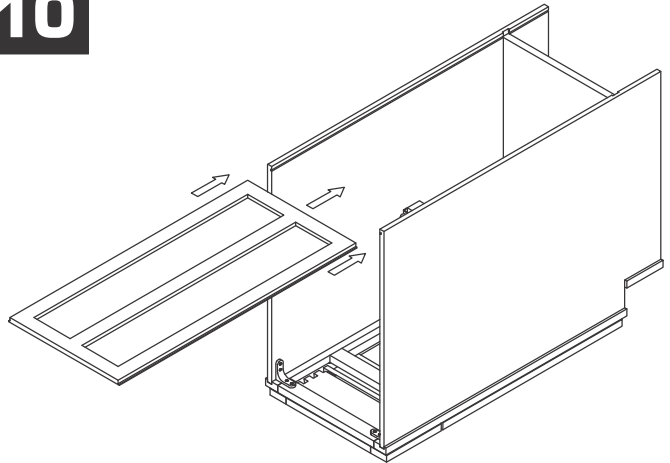
STEP 8



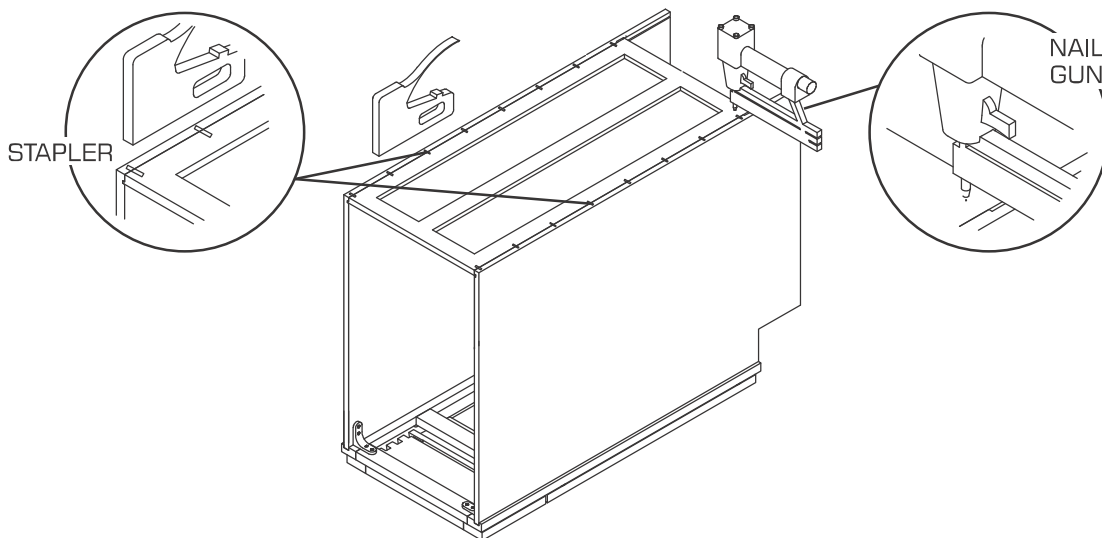
STEP 9



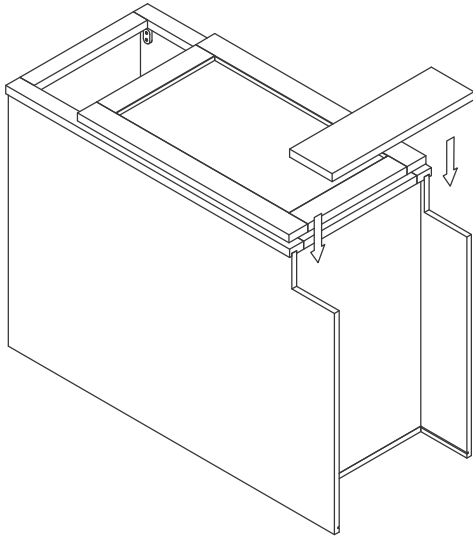
STEP 10



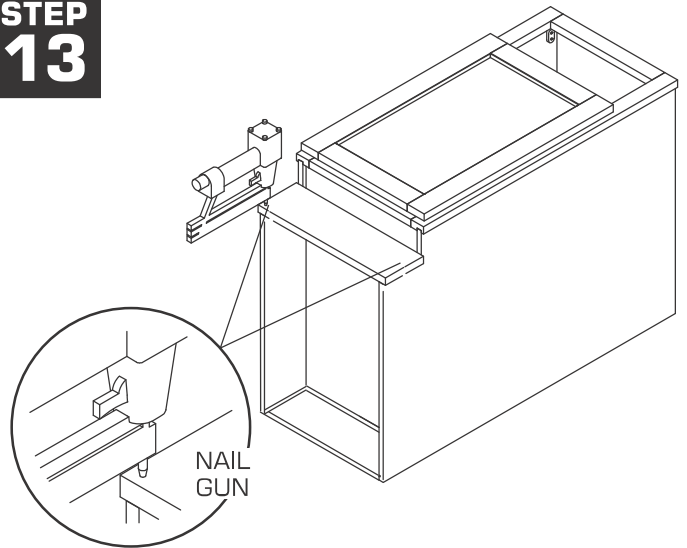
STEP 11



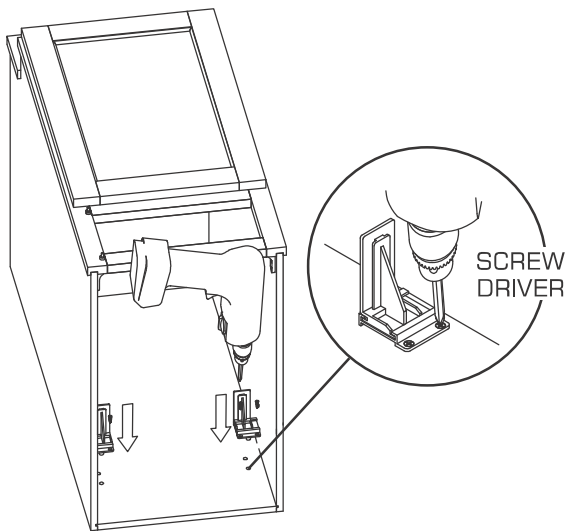
STEP 12



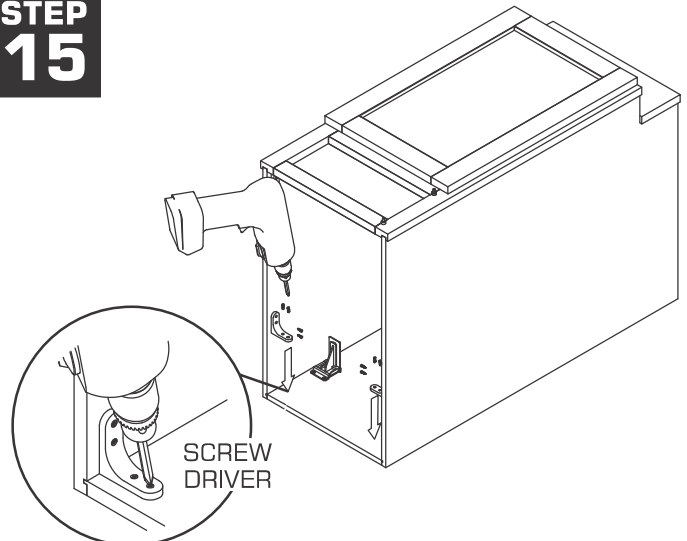
STEP 13



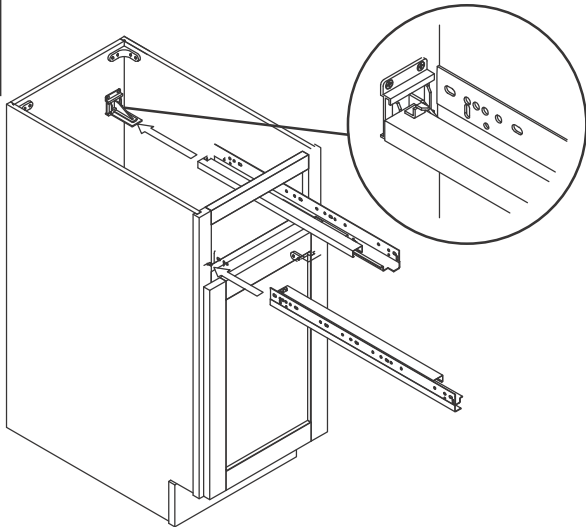
STEP 14



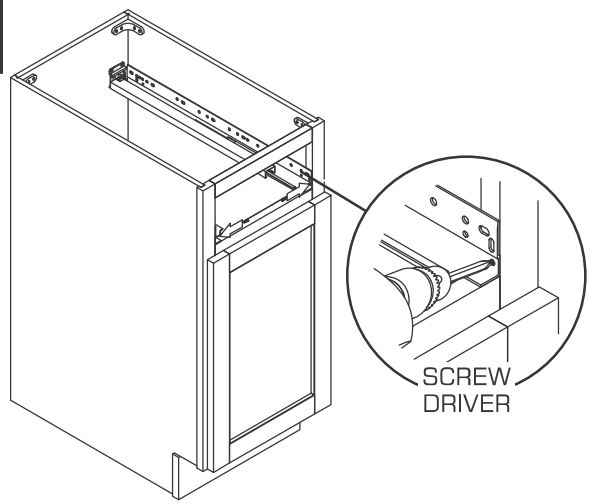
STEP 15



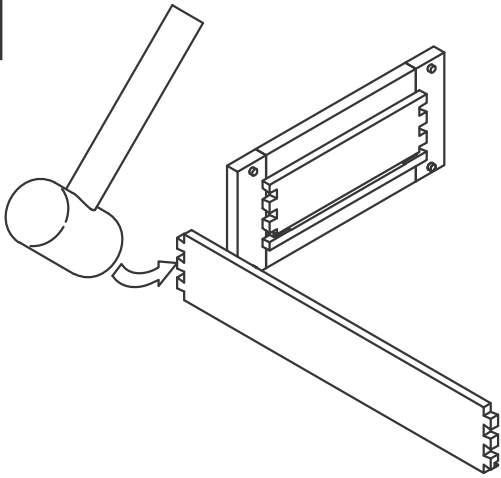
STEP 16



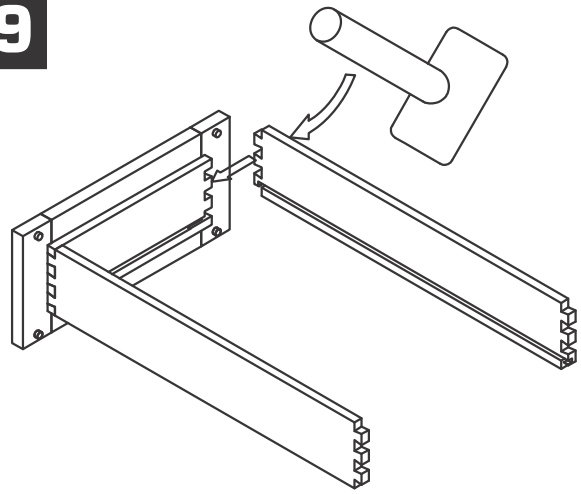
STEP 17



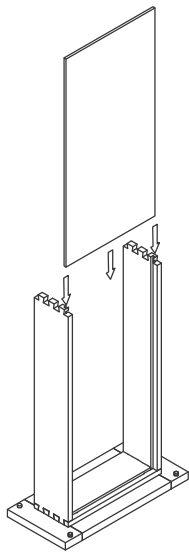
STEP 18



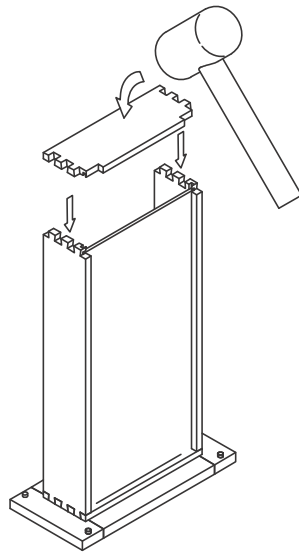
STEP 19



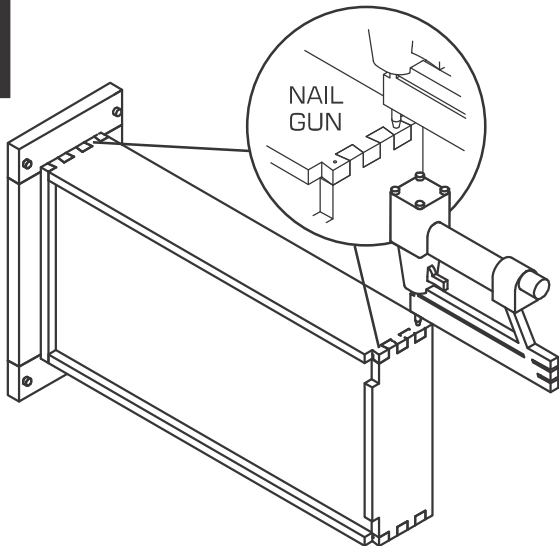
STEP 20



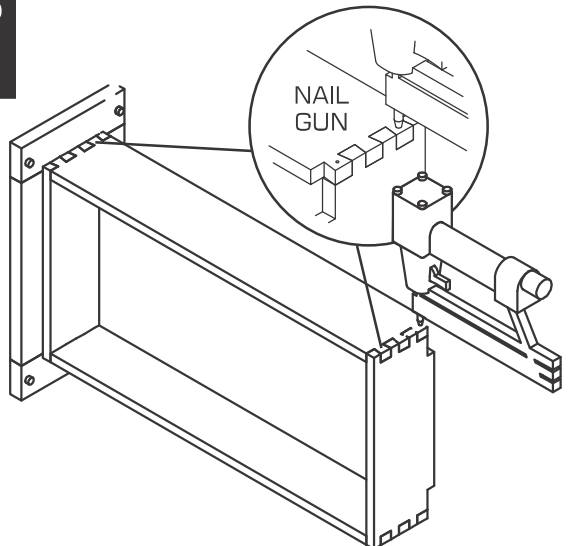
STEP 21



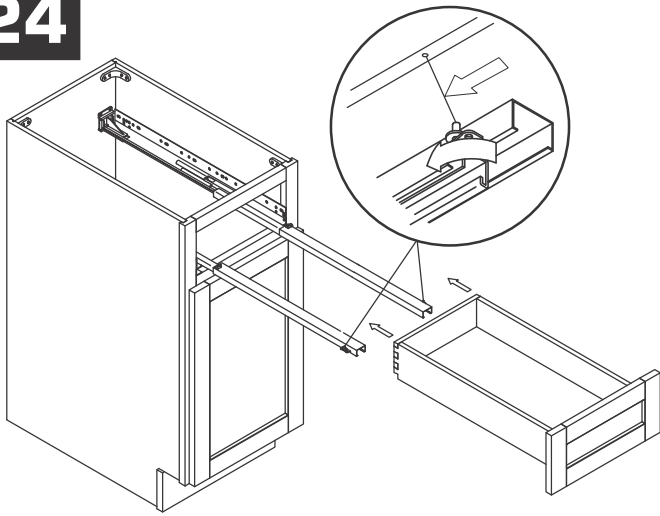
STEP 22



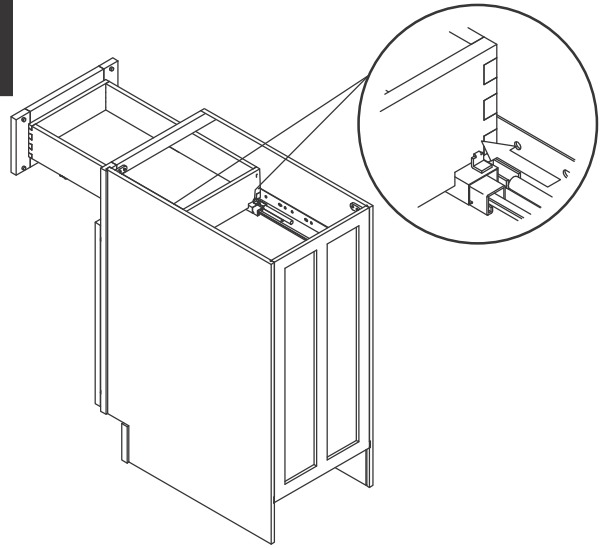
STEP 23



**STEP
24**

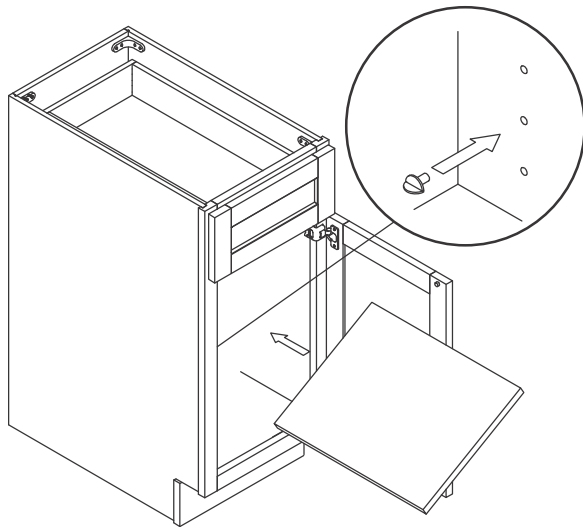


**STEP
25**

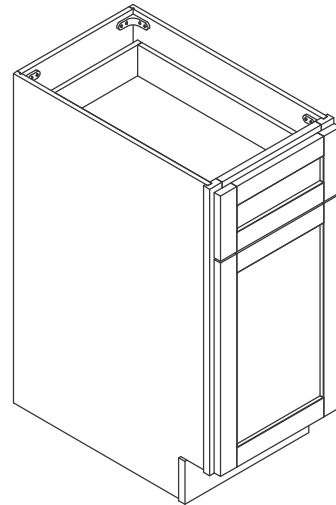


BASE CABINET

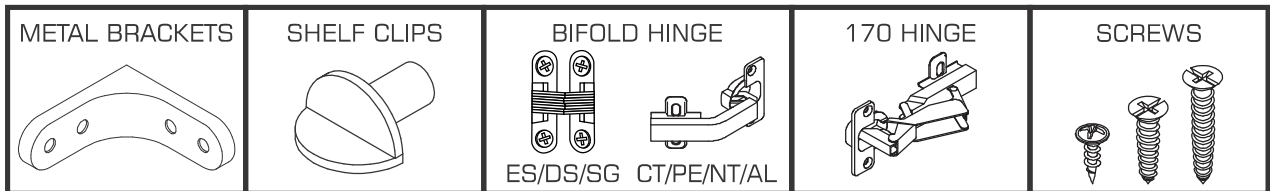
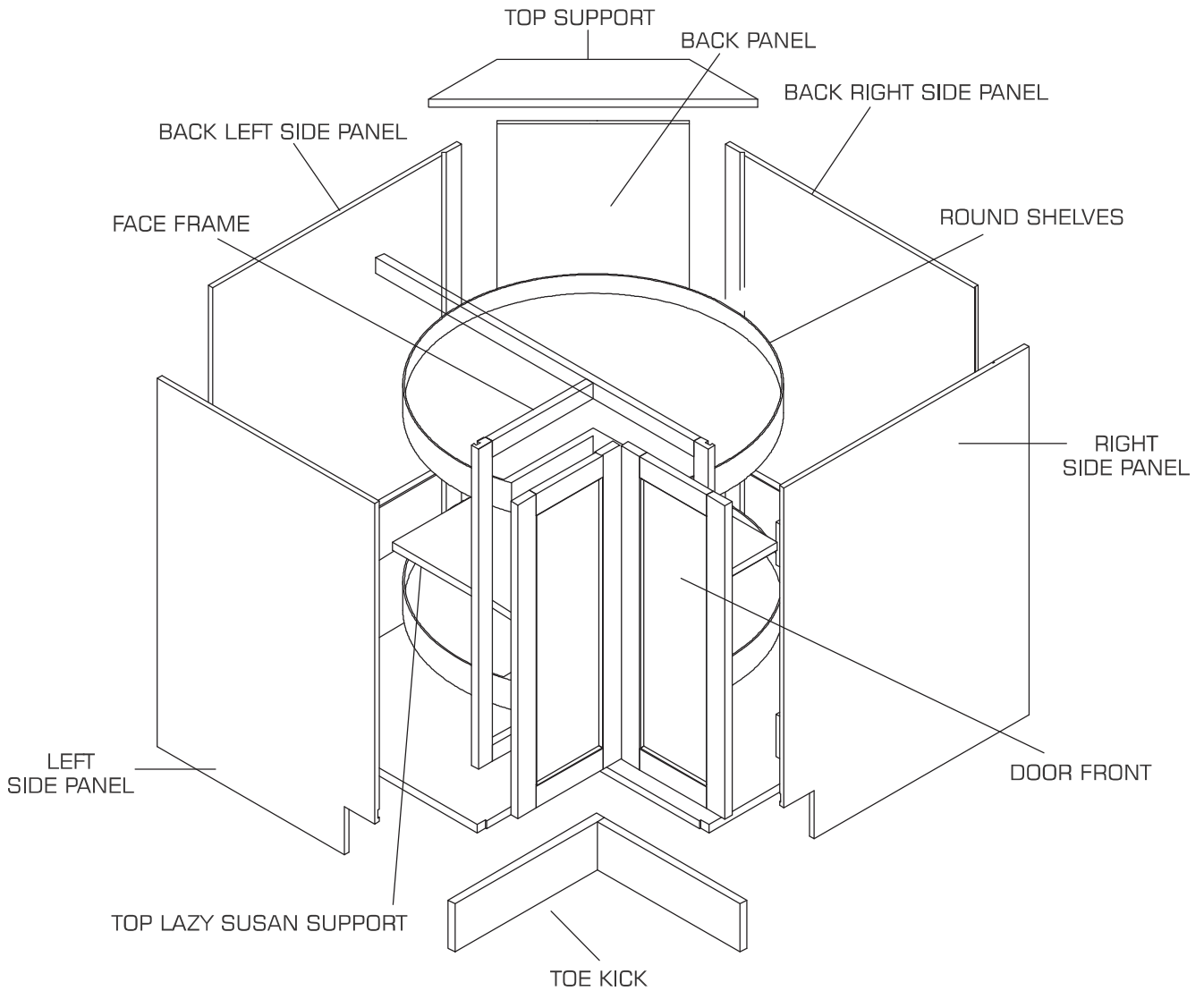
**STEP
26**



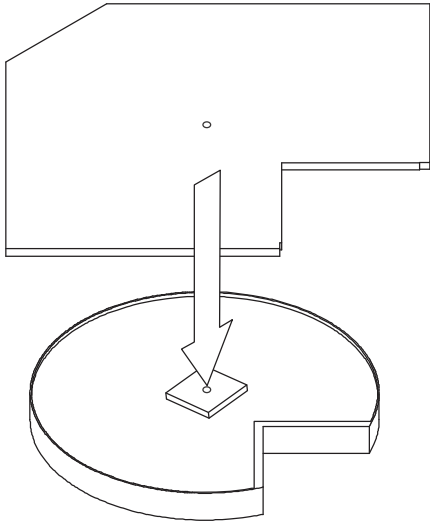
**STEP
27**



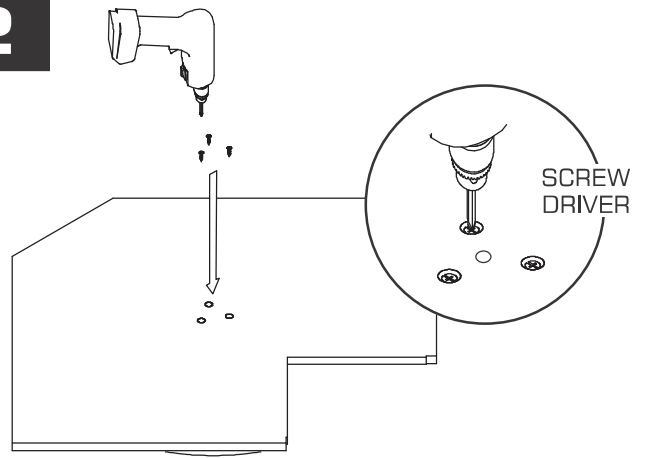
ASSEMBLING INSTRUCTIONS - LAZY SUSAN CABINET



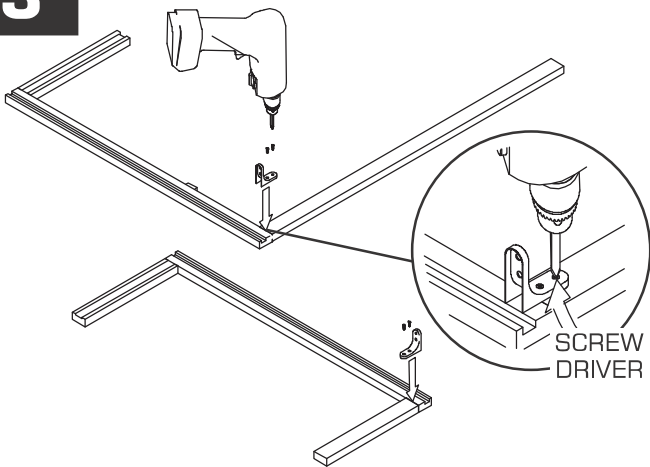
STEP 1



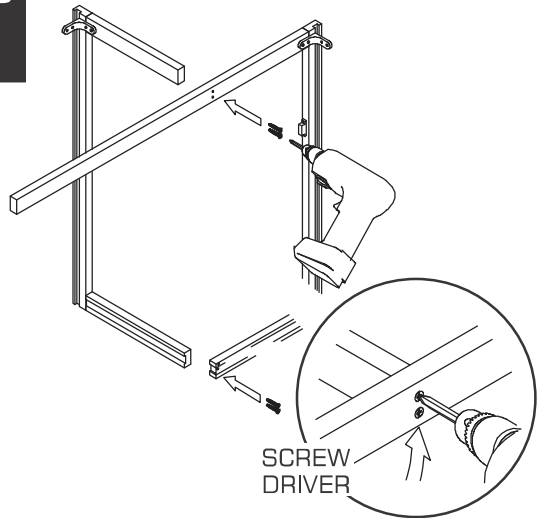
STEP 2



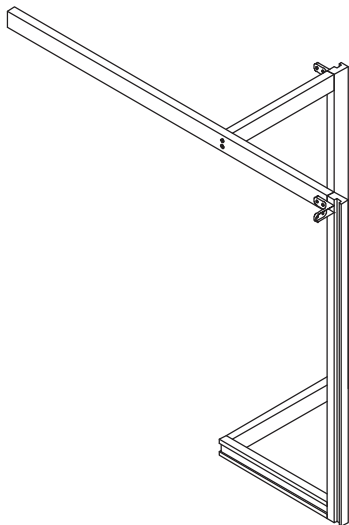
STEP 3



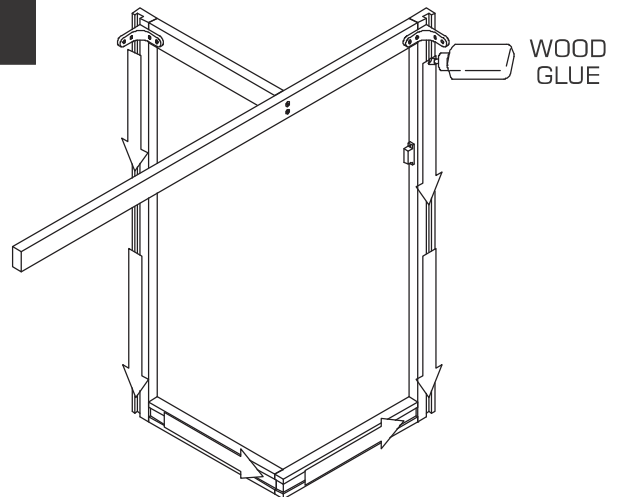
STEP 4



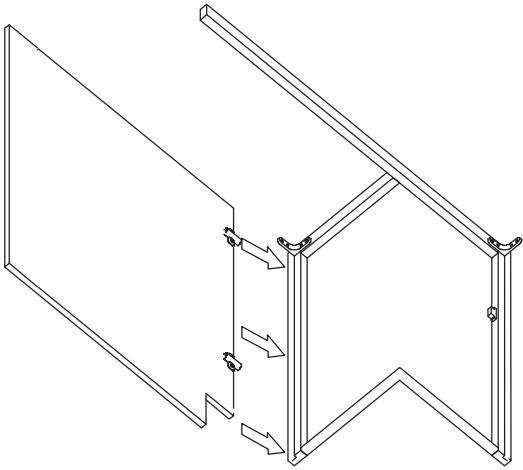
STEP 5



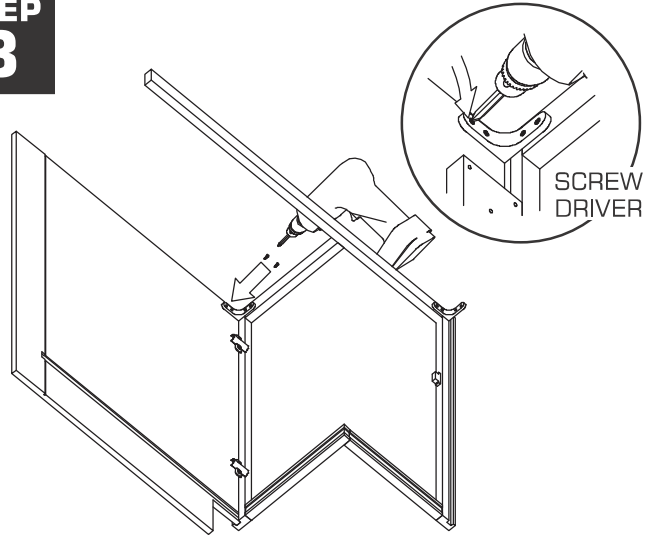
STEP 6



STEP 7

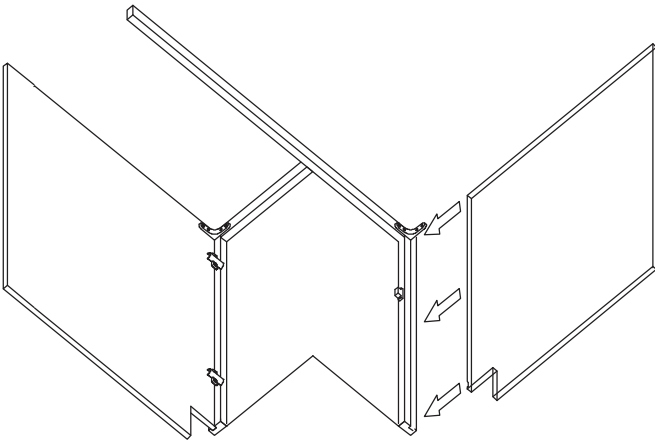


STEP 8

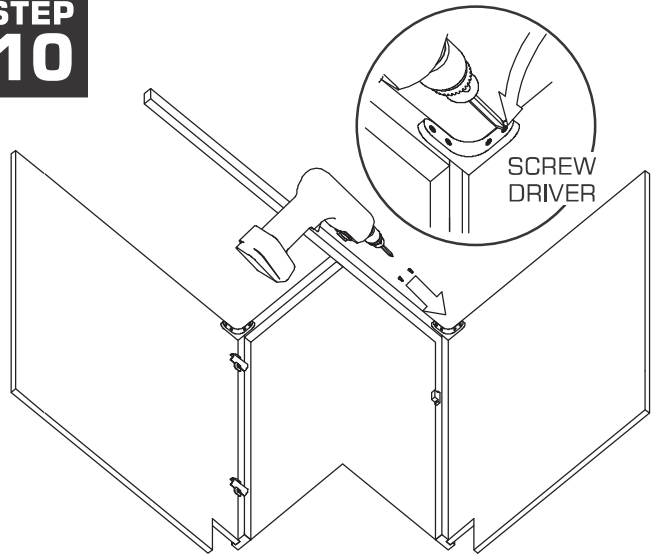


SCREW DRIVER

STEP 9

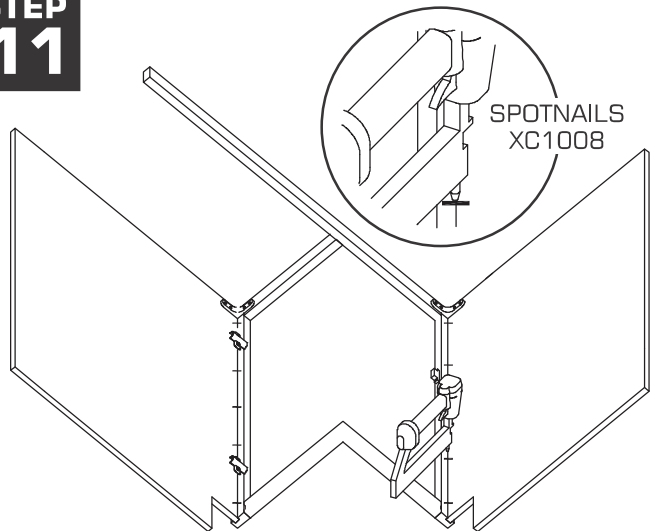


STEP 10



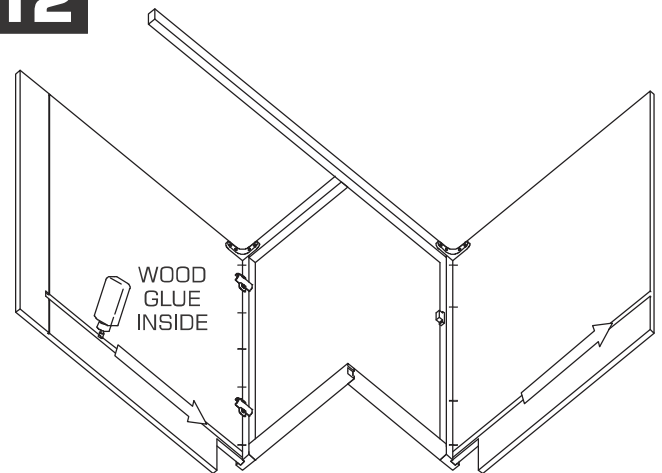
SCREW DRIVER

STEP 11



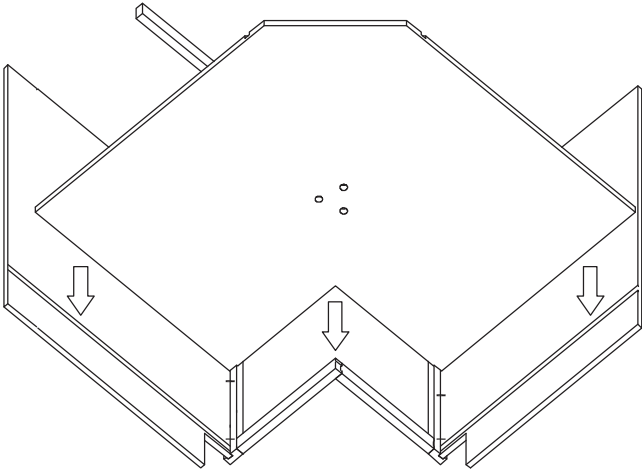
SPOTNAILS XC1008

STEP 12

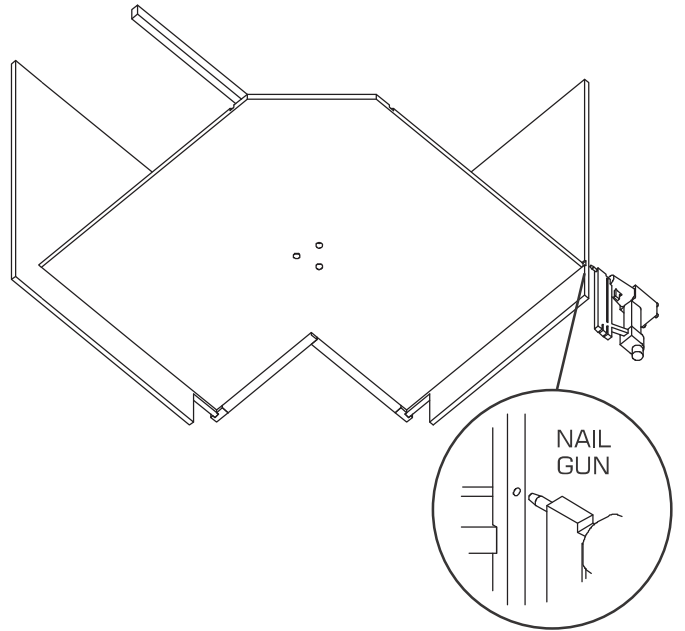


WOOD GLUE INSIDE

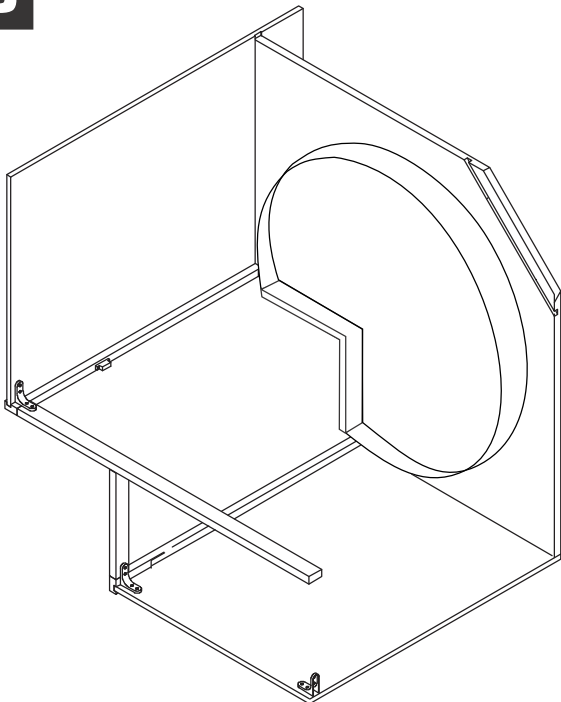
STEP 13



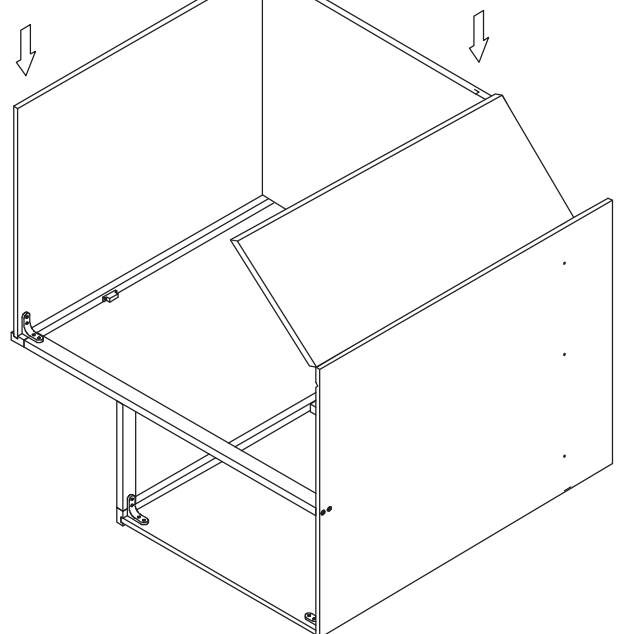
STEP 14



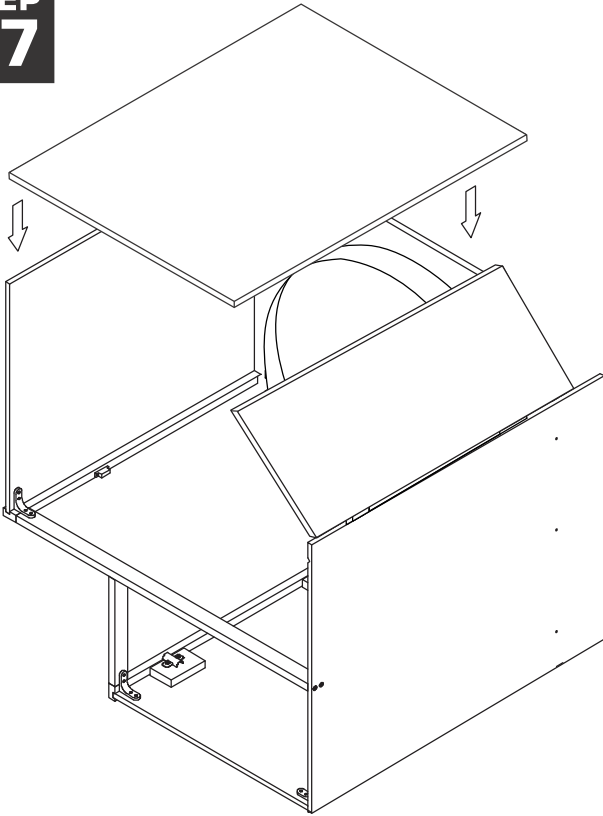
STEP 15



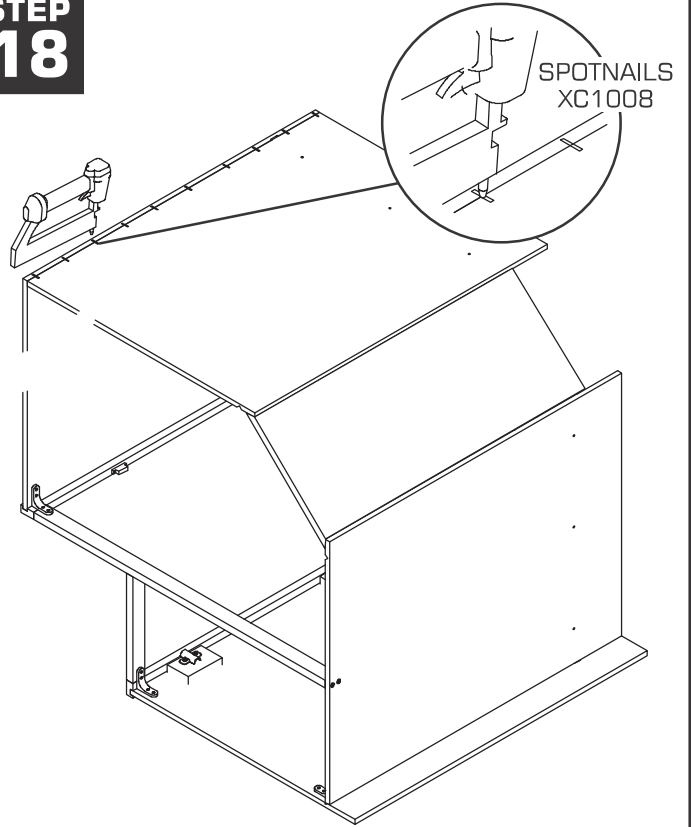
STEP 16



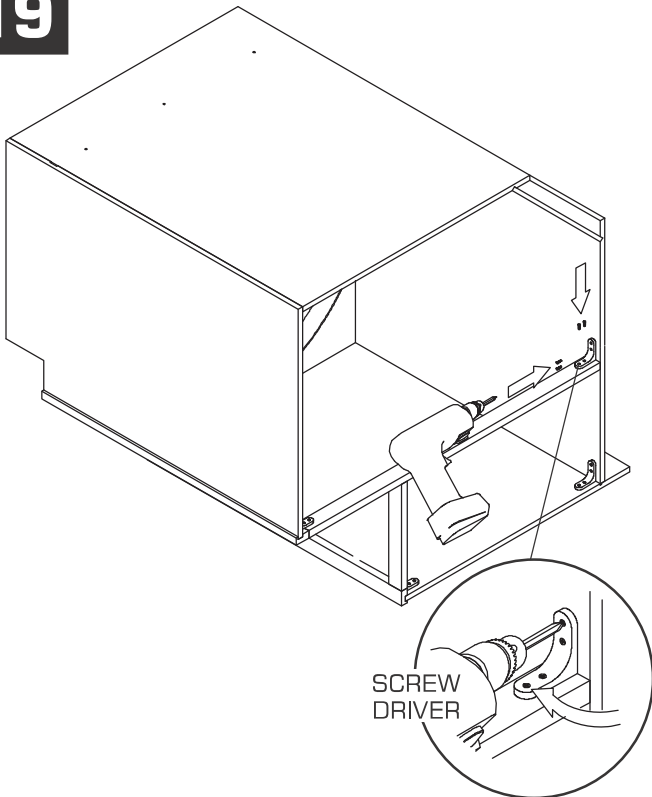
STEP 17



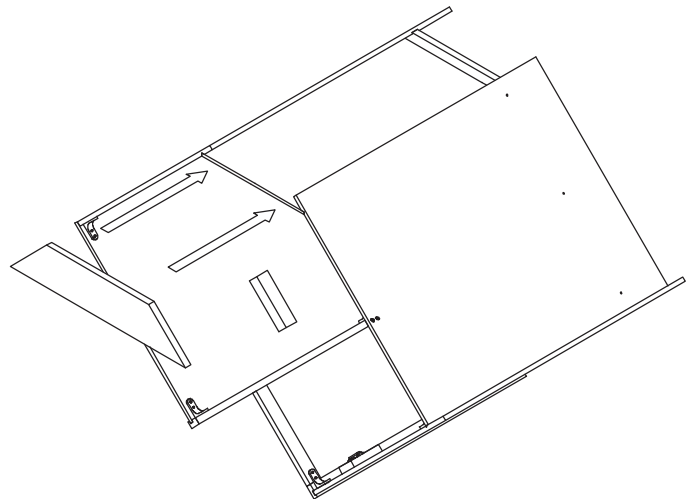
STEP 18



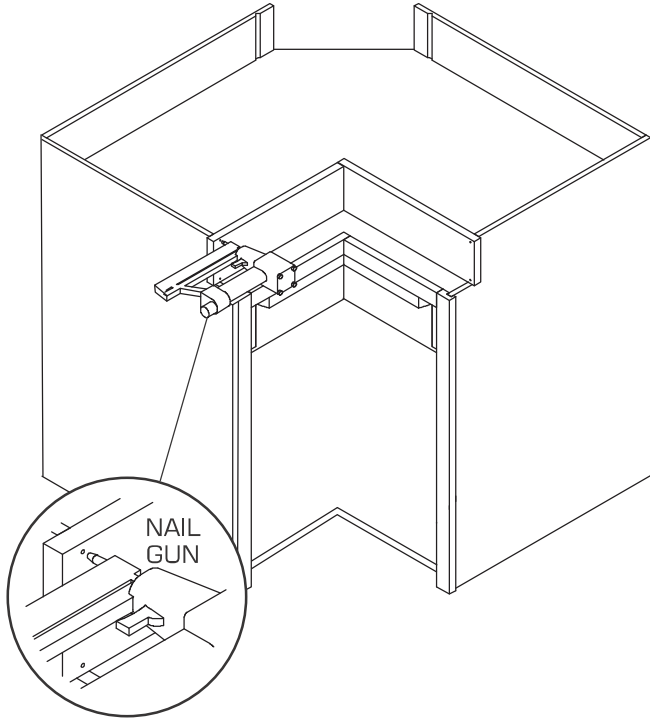
STEP 19



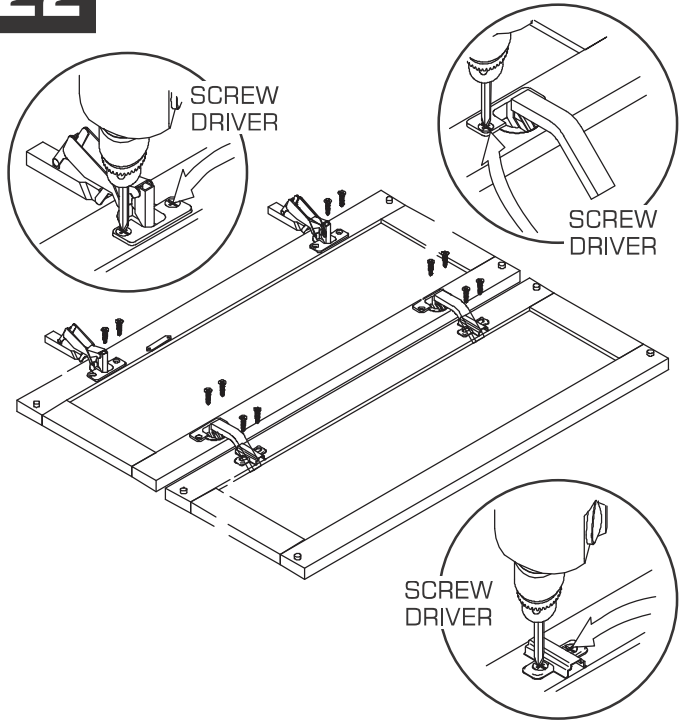
STEP 20



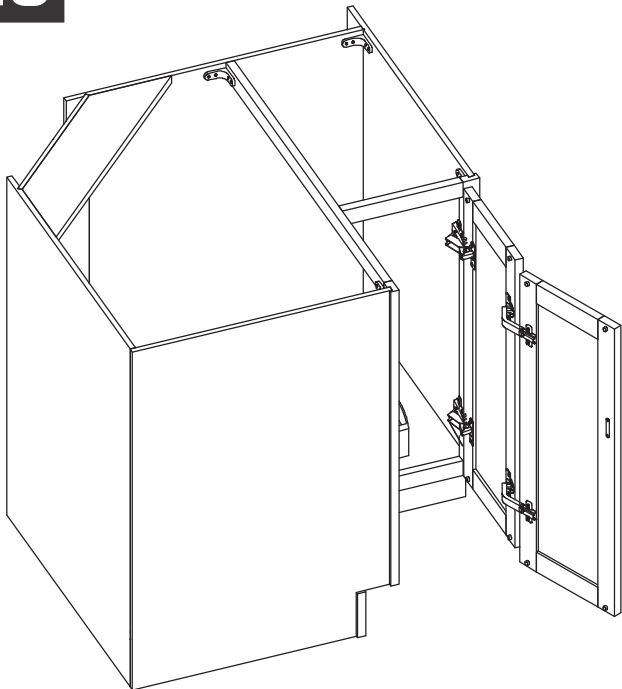
STEP 21



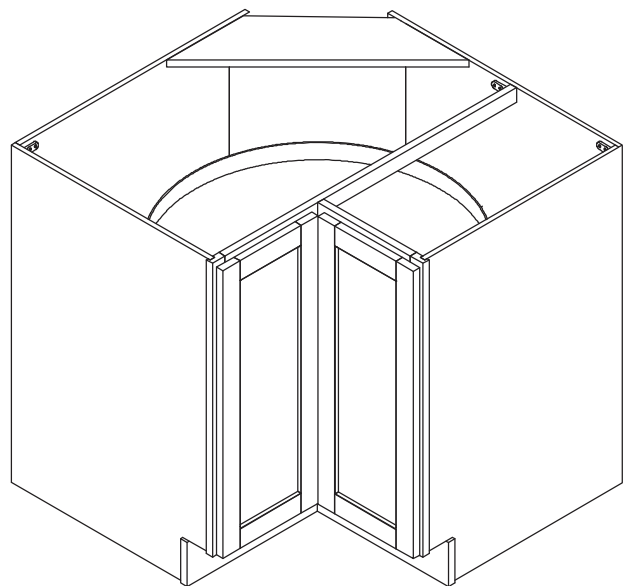
STEP 22



STEP 23

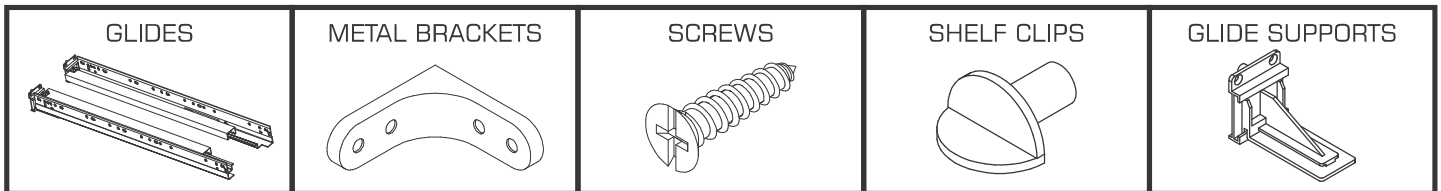
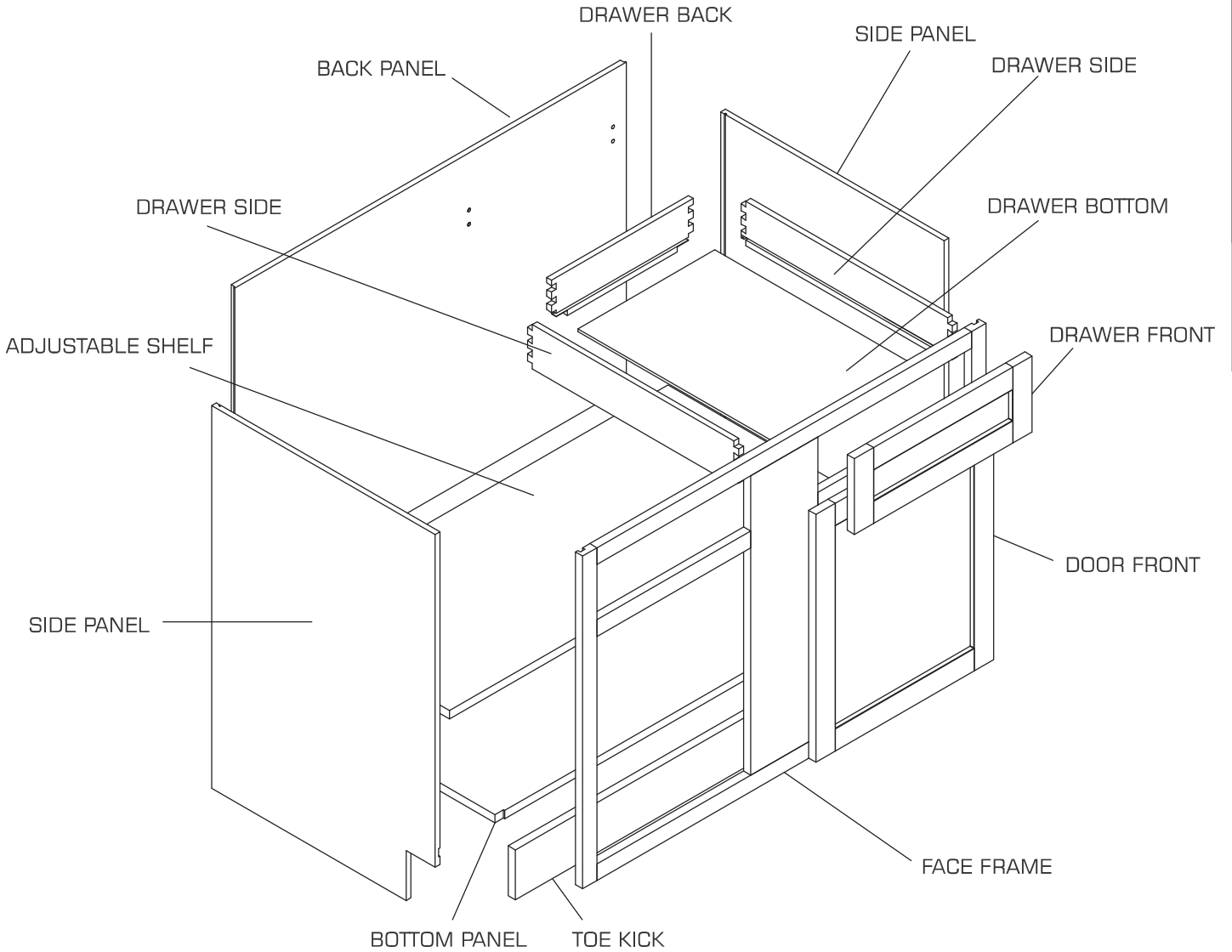


STEP 24



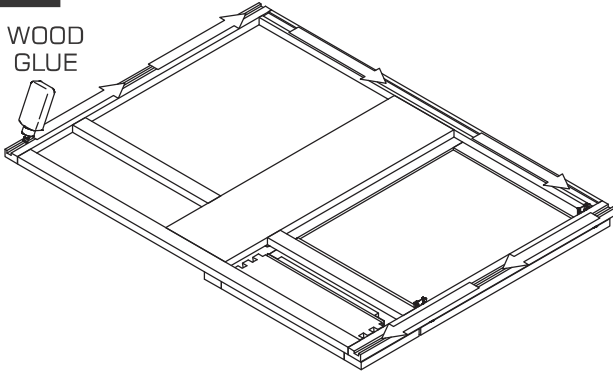
ASSEMBLING INSTRUCTIONS - BLIND CORNER BASE CABINET

BLIND CORNER BASE CABINET

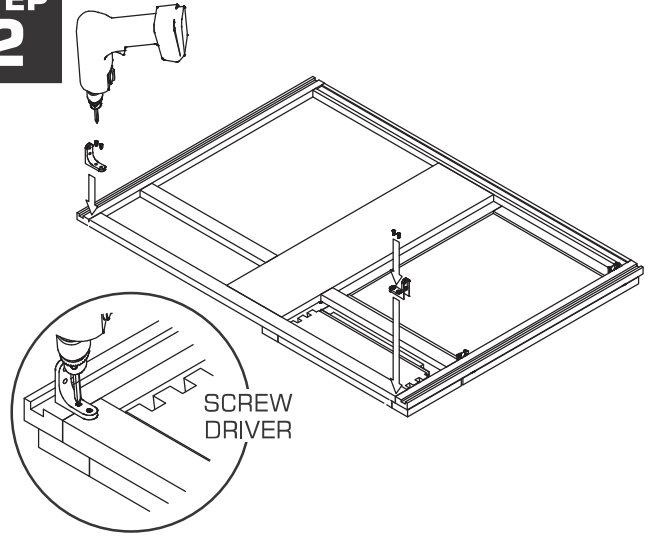


STEP 1

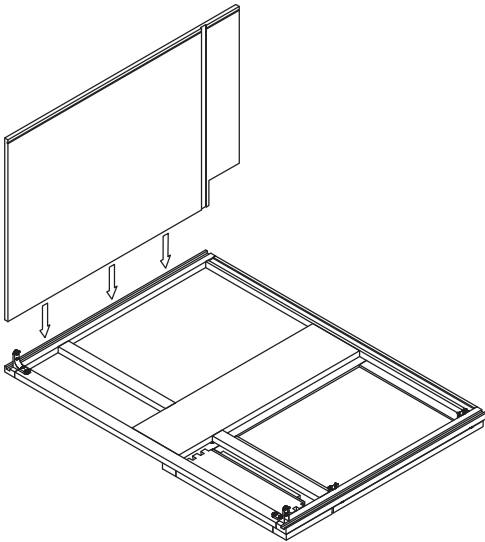
WOOD
GLUE



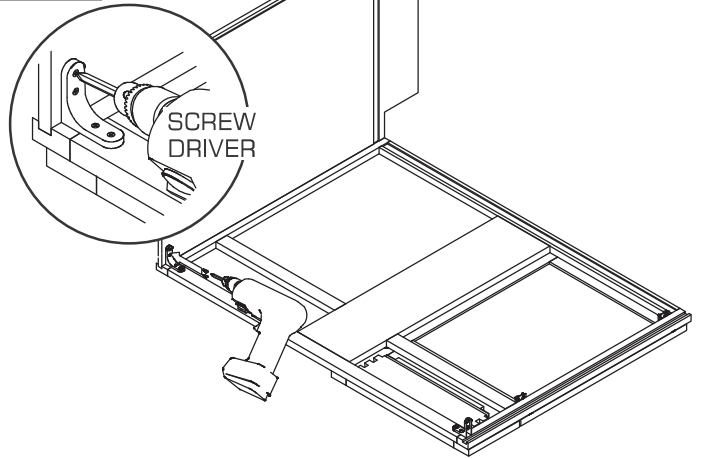
STEP 2



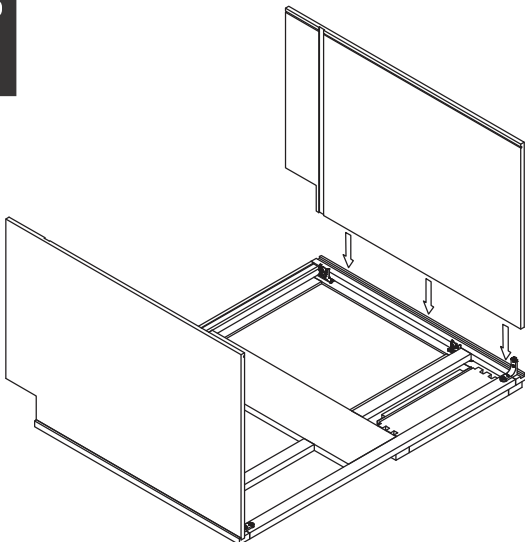
STEP 3



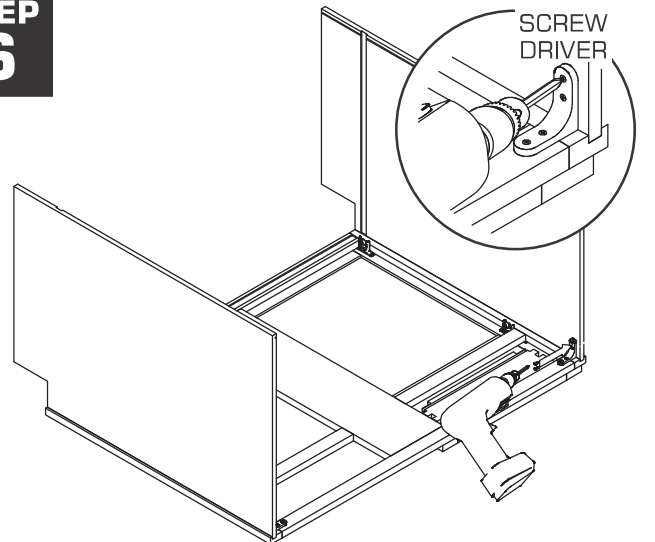
STEP 4



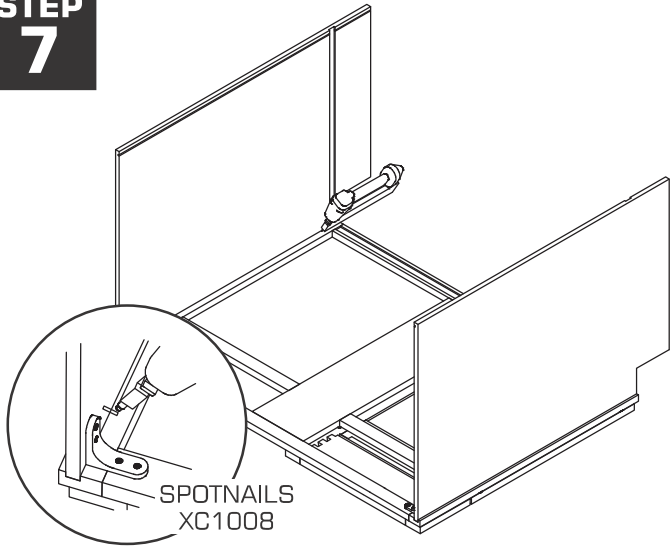
STEP 5



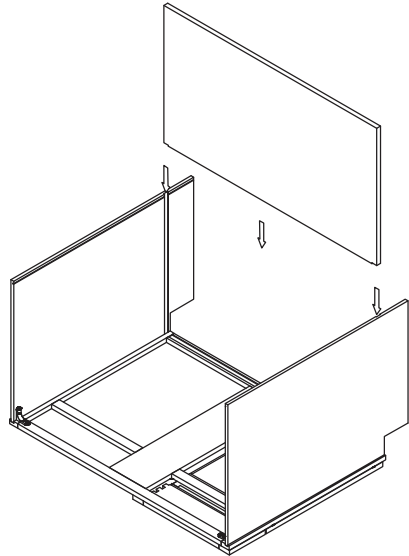
STEP 6



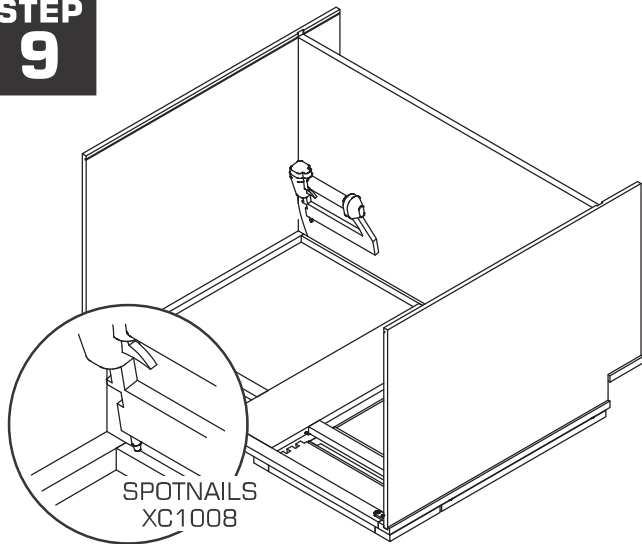
STEP 7



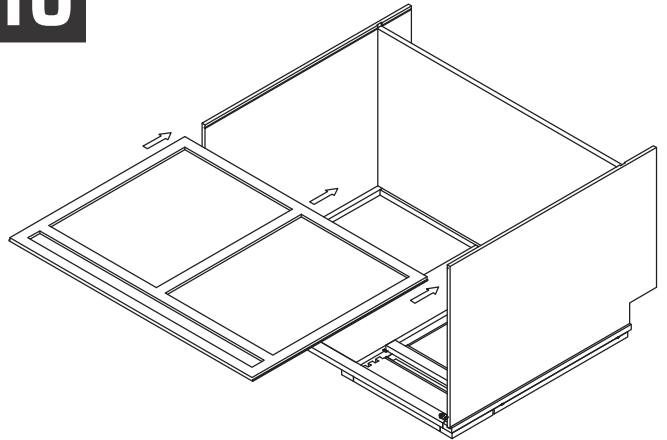
STEP 8



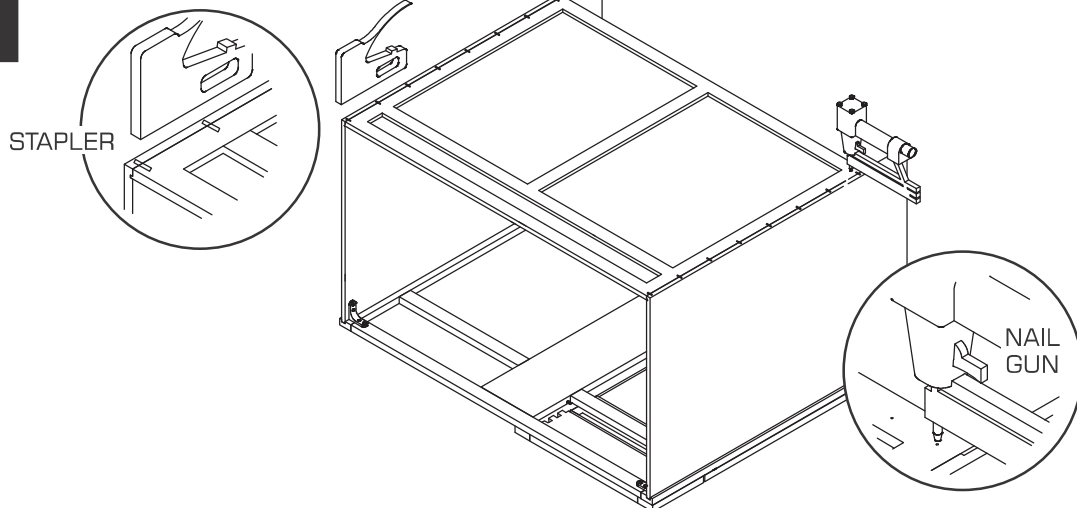
STEP 9



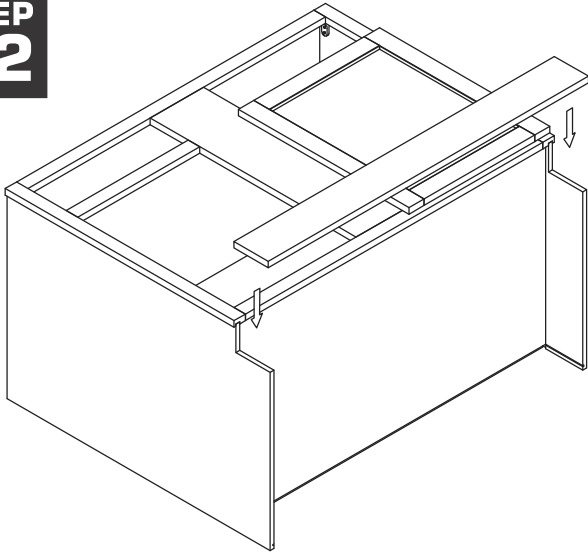
STEP 10



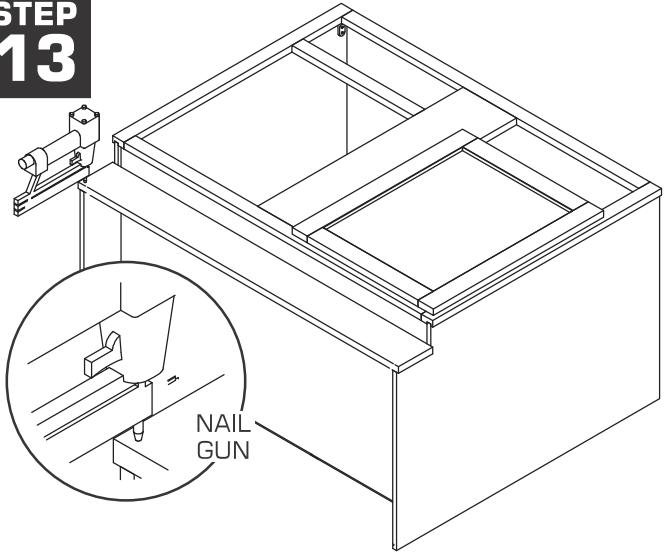
STEP 11



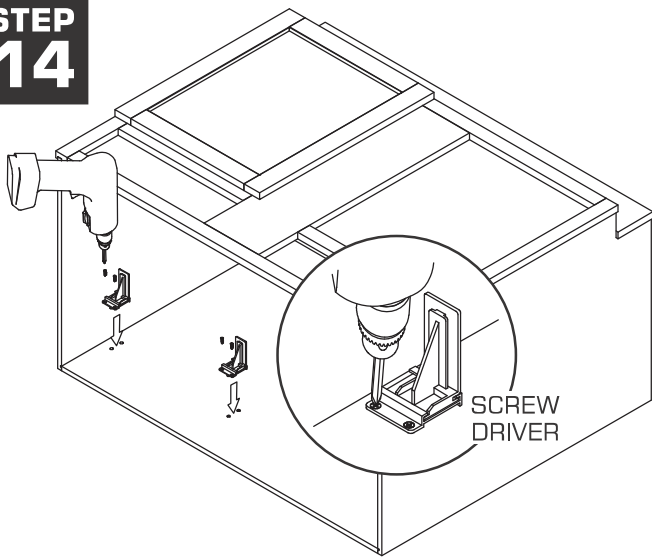
STEP 12



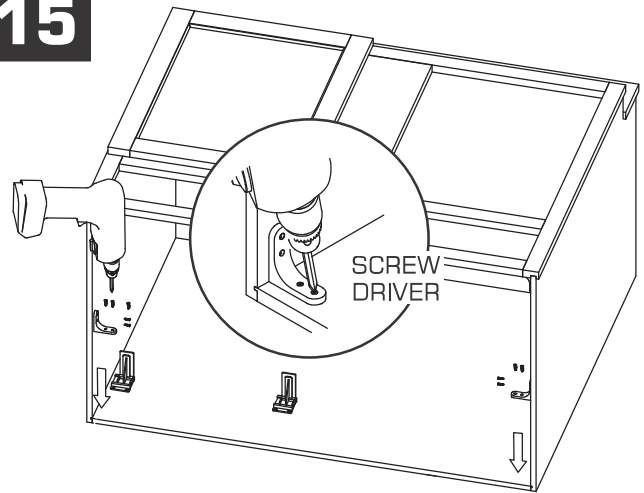
STEP 13



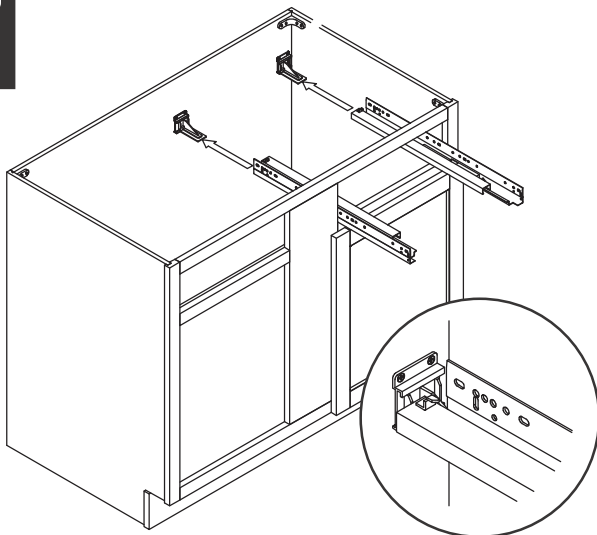
STEP 14



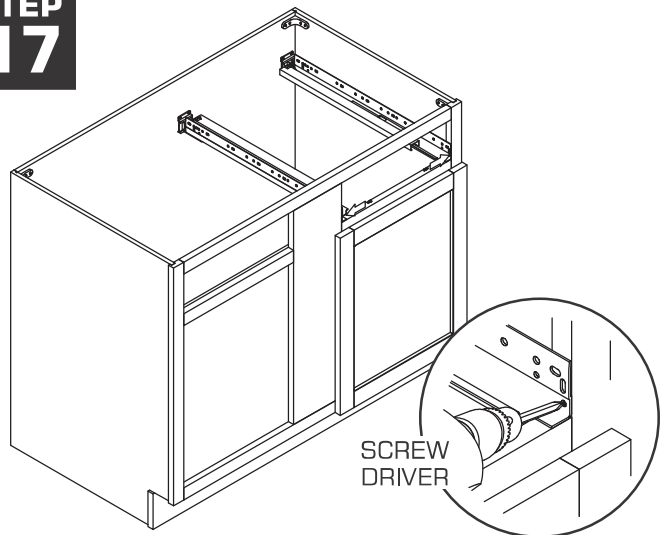
STEP 15



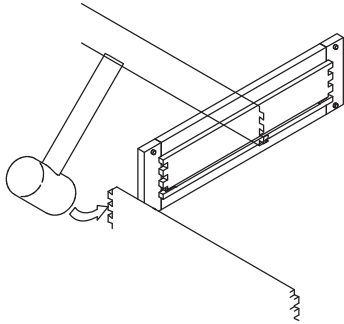
STEP 16



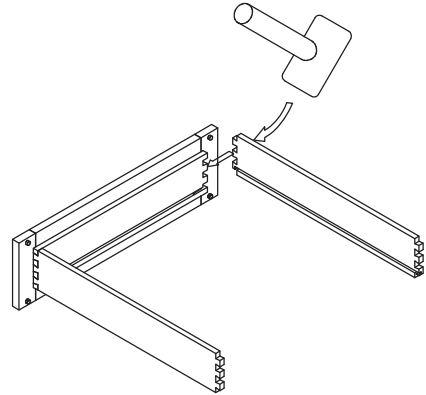
STEP 17



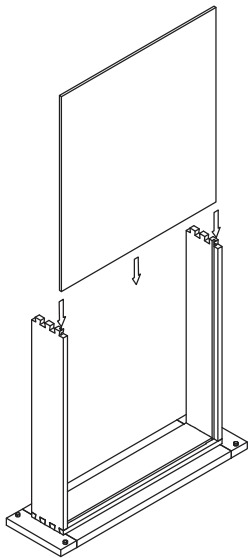
**STEP
18**



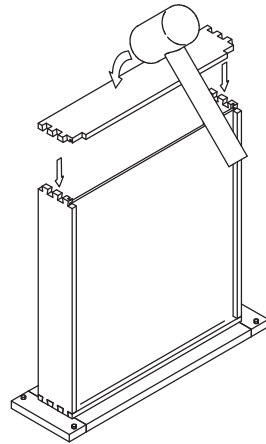
**STEP
19**



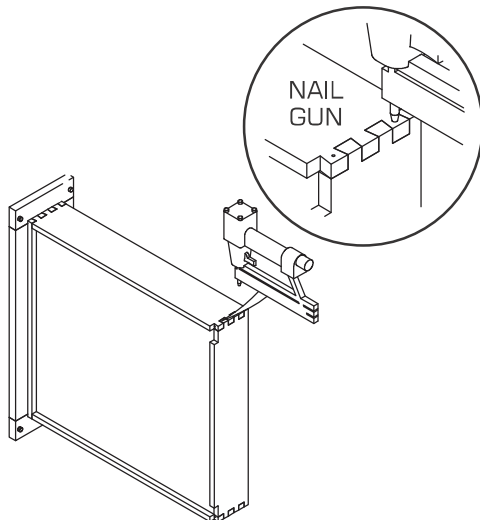
**STEP
20**



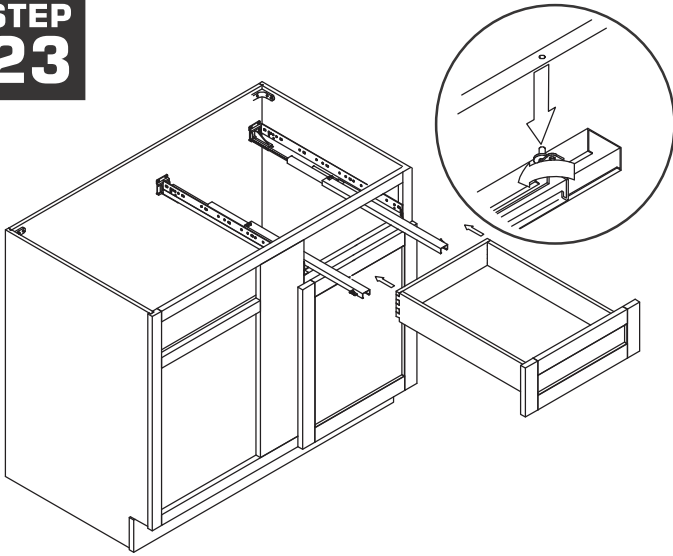
**STEP
21**



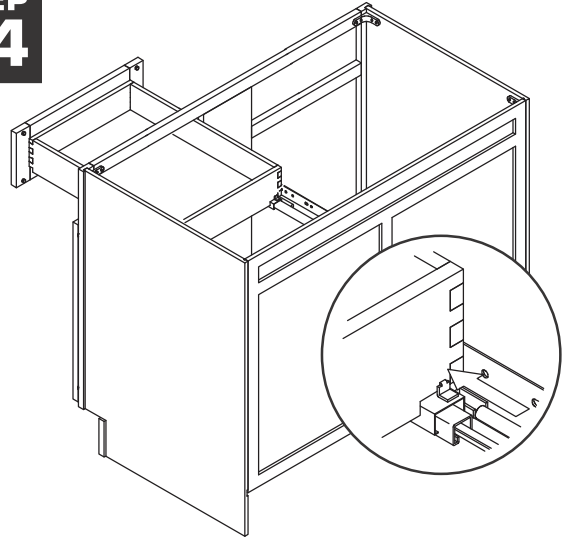
**STEP
22**



**STEP
23**

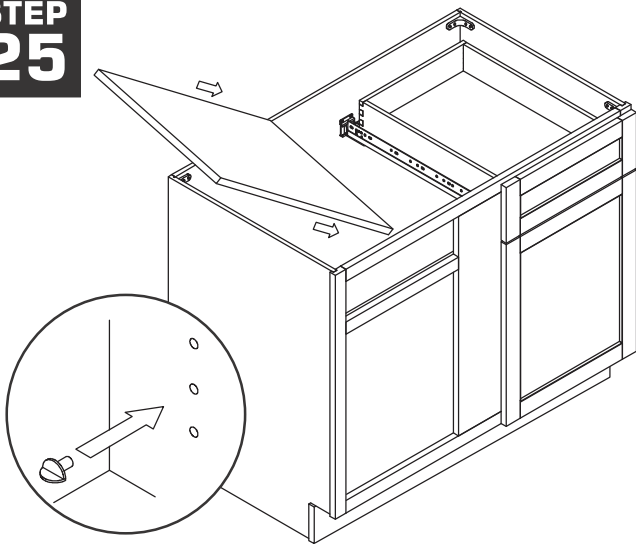


**STEP
24**

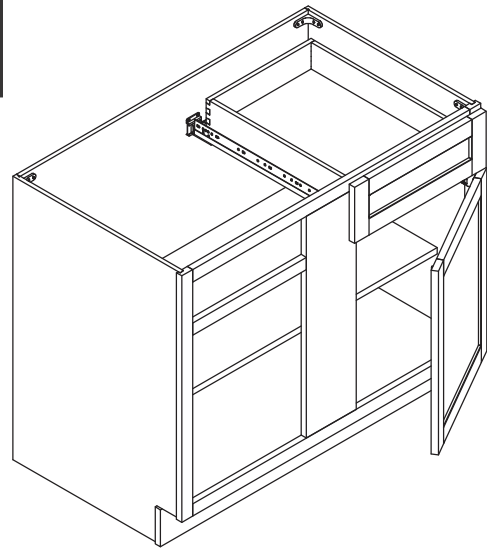


BLIND CORNER BASE CABINET

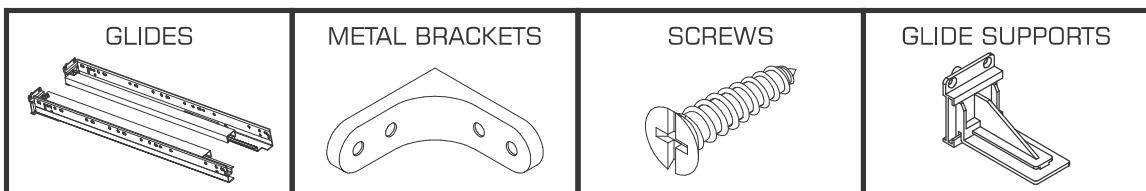
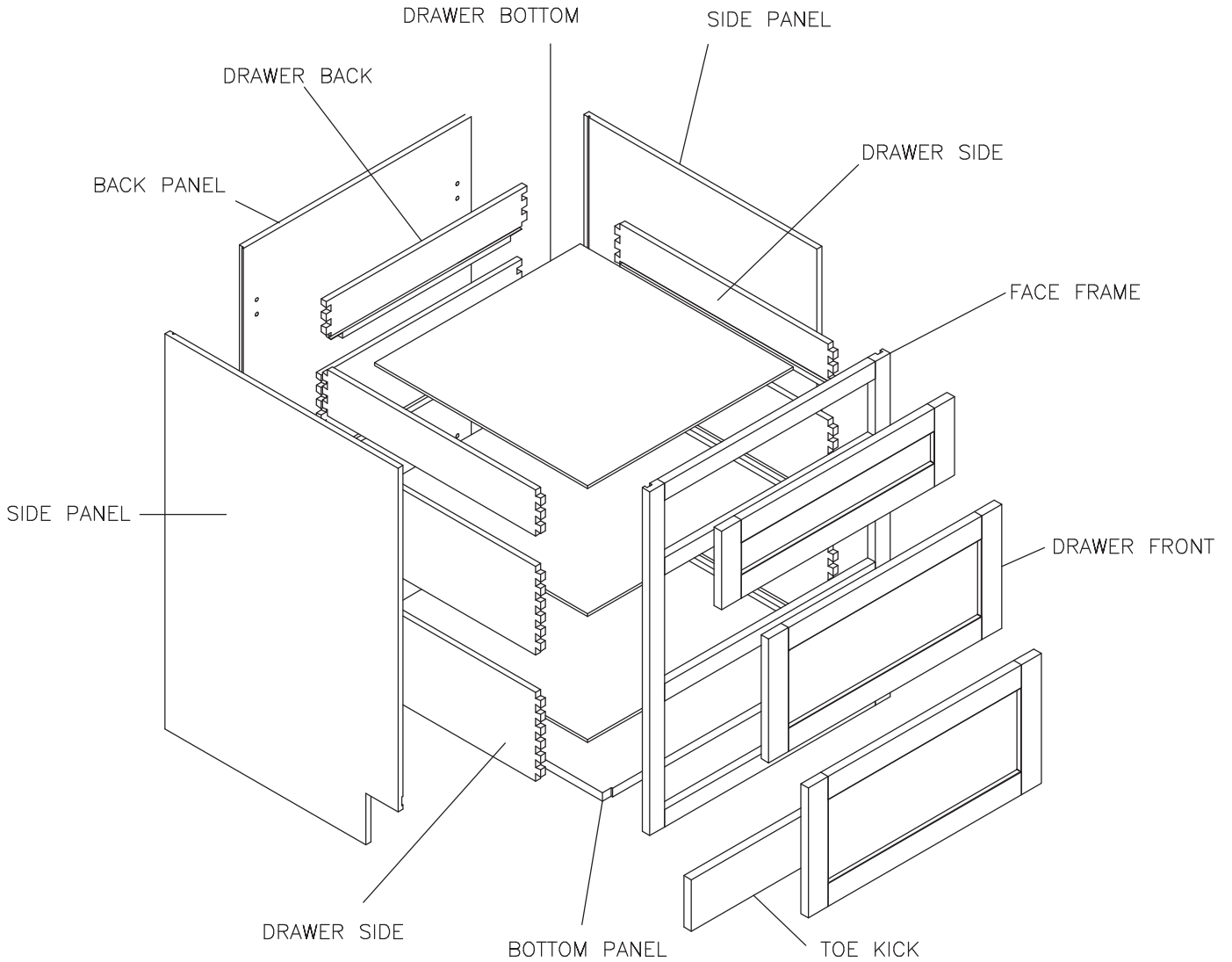
**STEP
25**



**STEP
26**

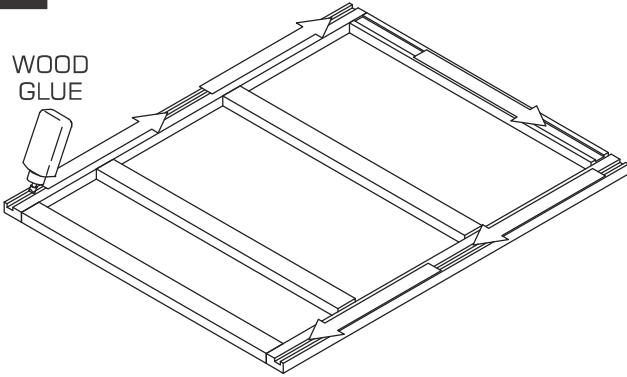


ASSEMBLING INSTRUCTIONS - BASE 3 DRAWERS

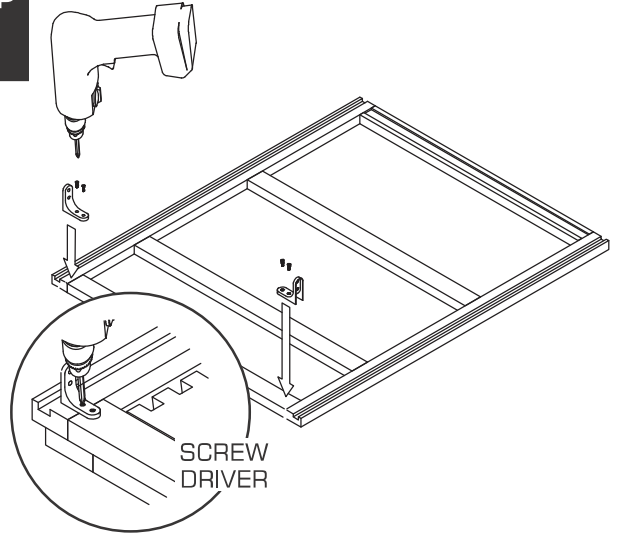


STEP 1

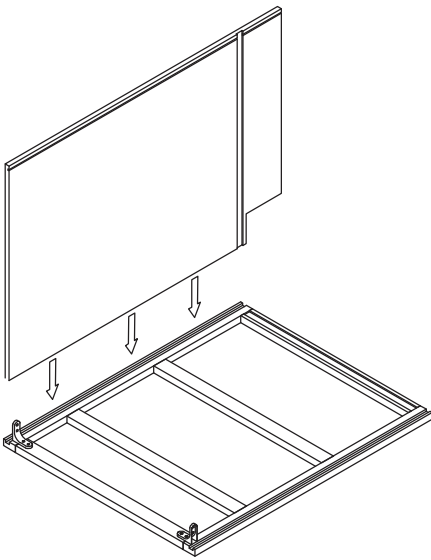
WOOD
GLUE



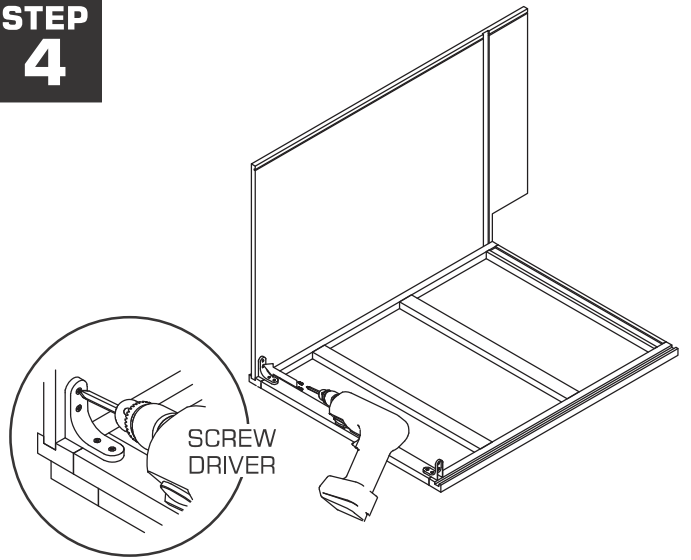
STEP 2



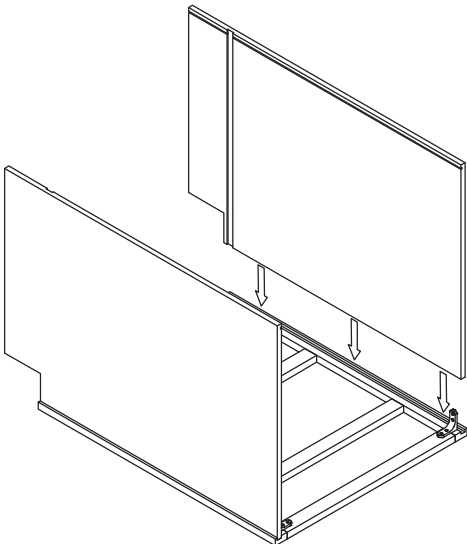
STEP 3



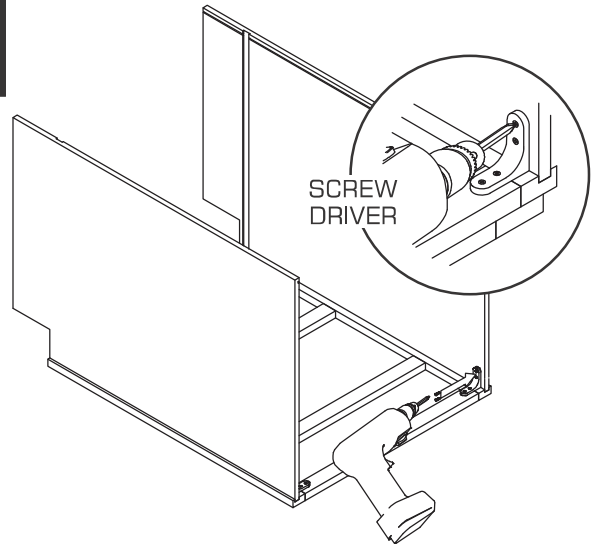
STEP 4



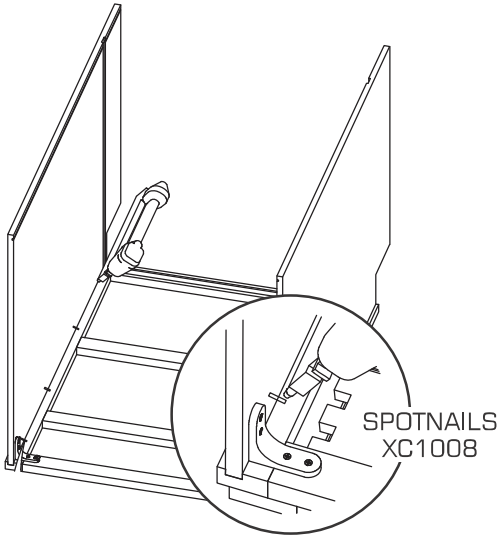
STEP 5



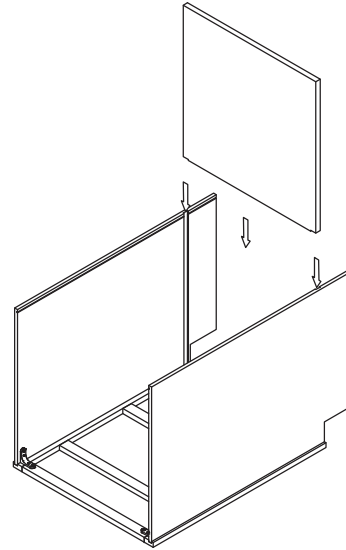
STEP 6



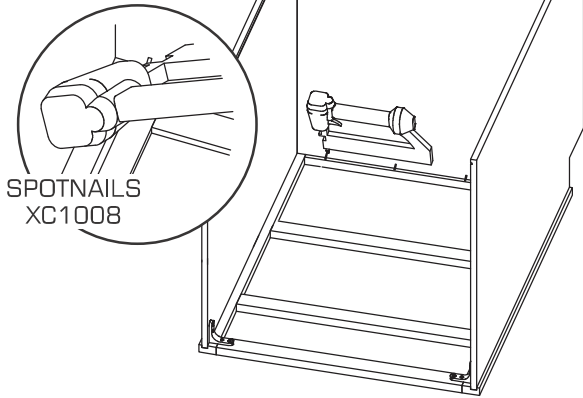
STEP 7



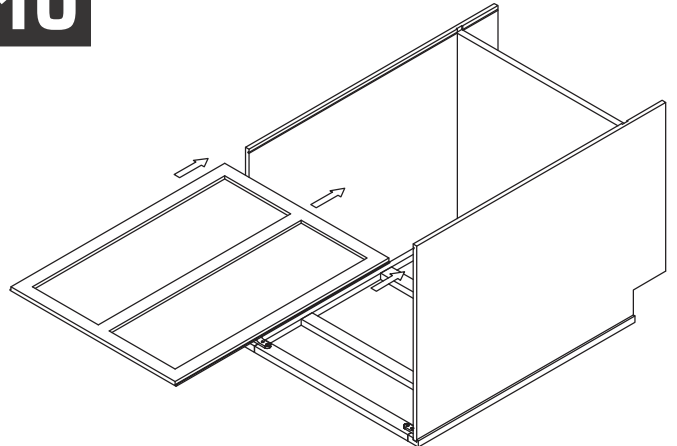
STEP 8



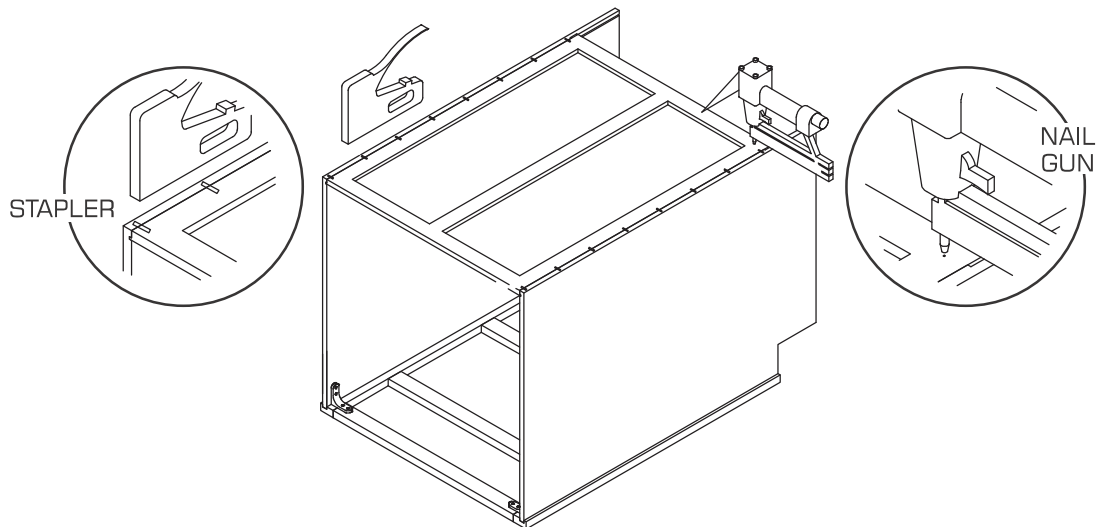
STEP 9



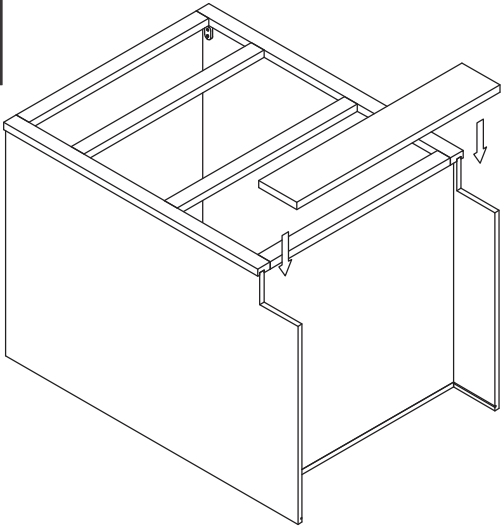
STEP 10



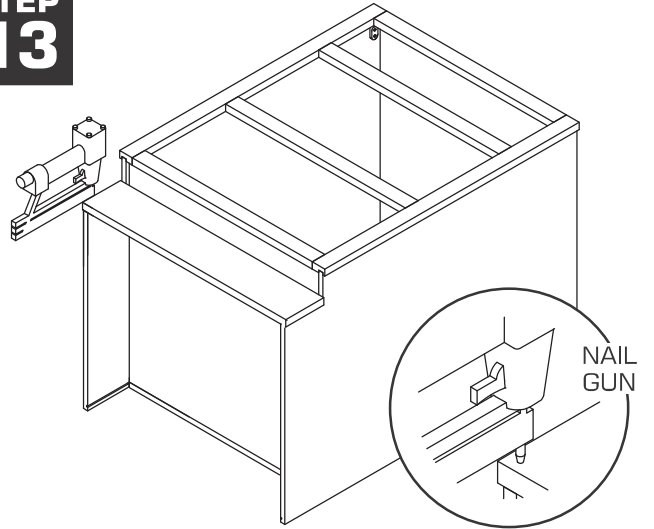
STEP 11



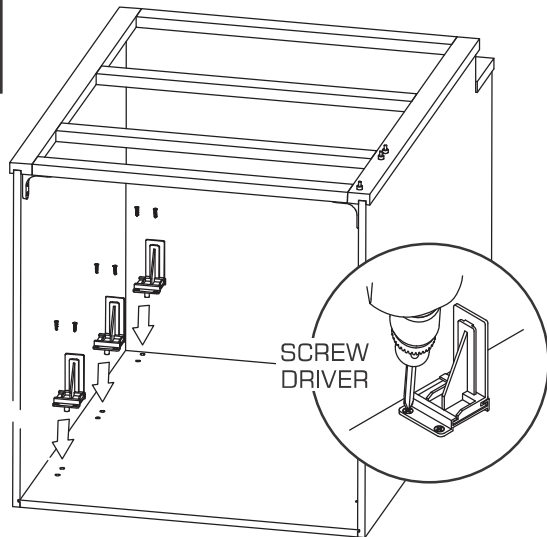
STEP 12



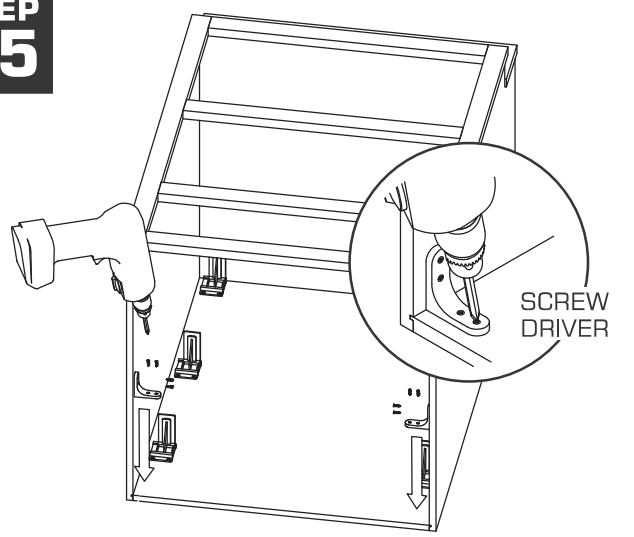
STEP 13



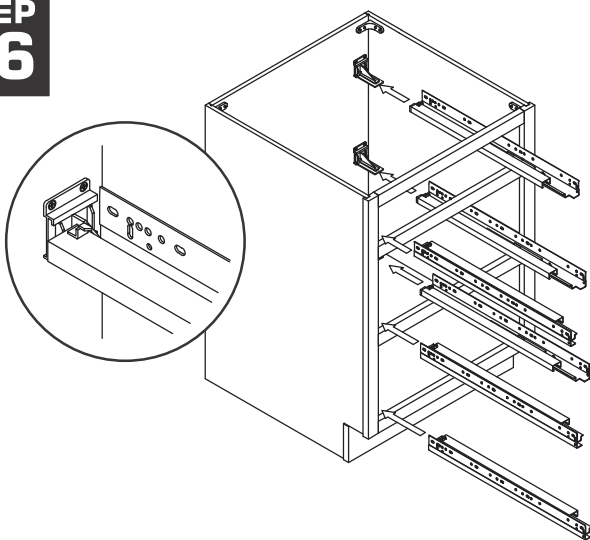
STEP 14



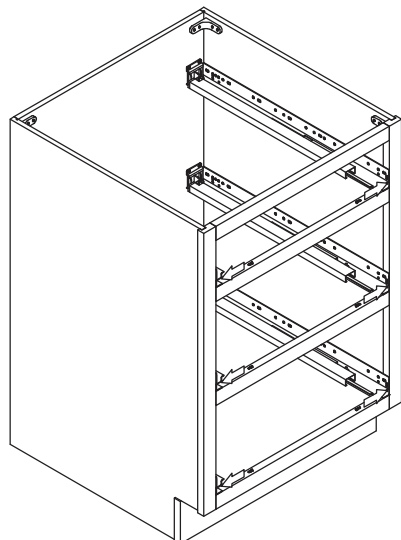
STEP 15



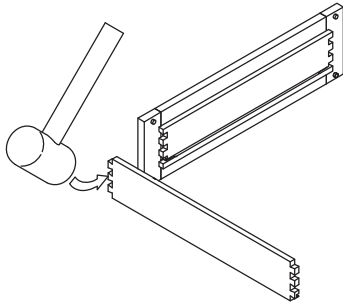
STEP 16



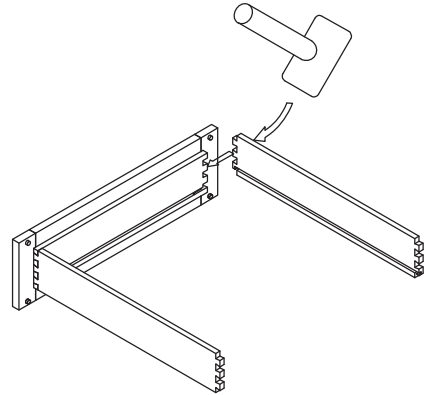
STEP 17



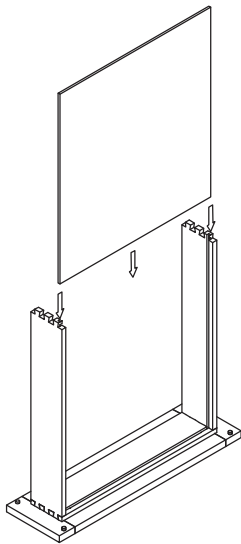
**STEP
18**



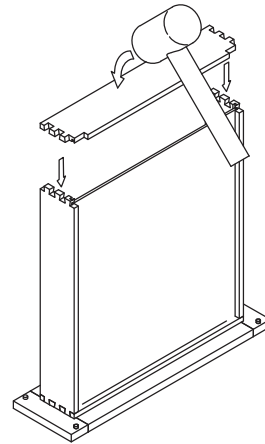
**STEP
19**



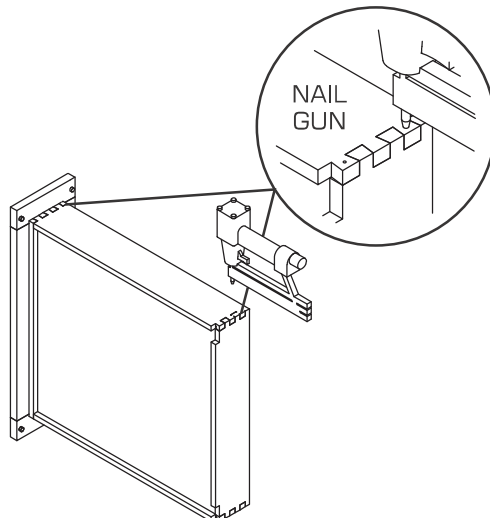
**STEP
20**



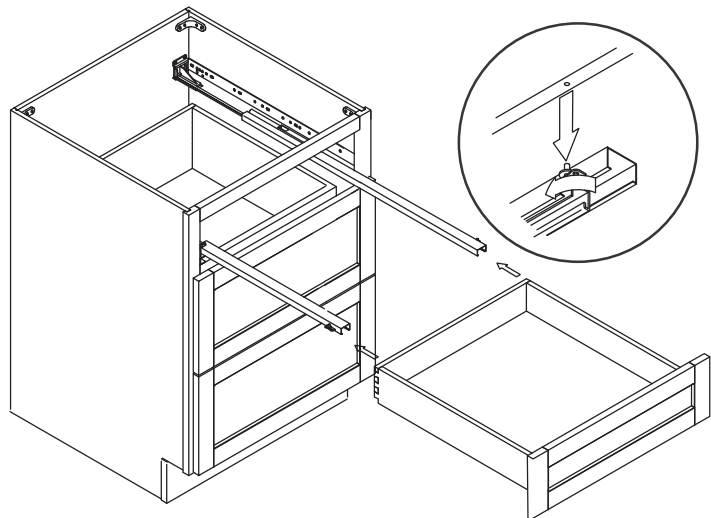
**STEP
21**



**STEP
22**

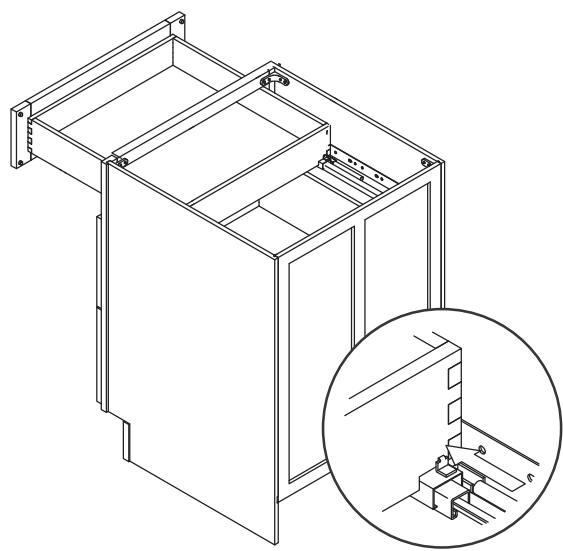


**STEP
23**

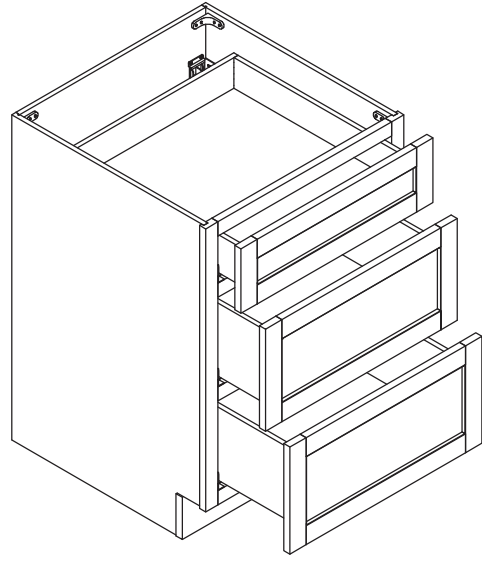


BASE 3 DRAWERS

**STEP
24**

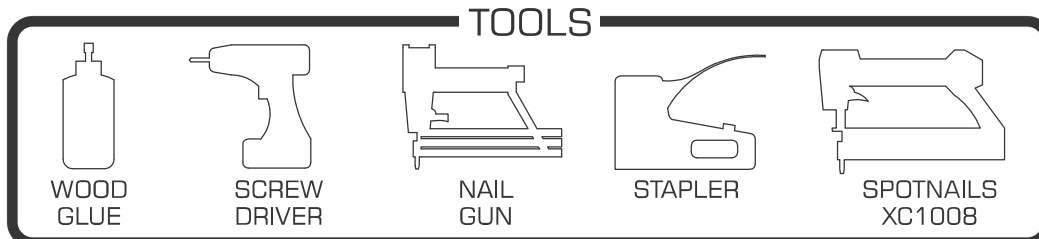
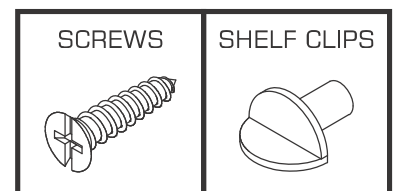
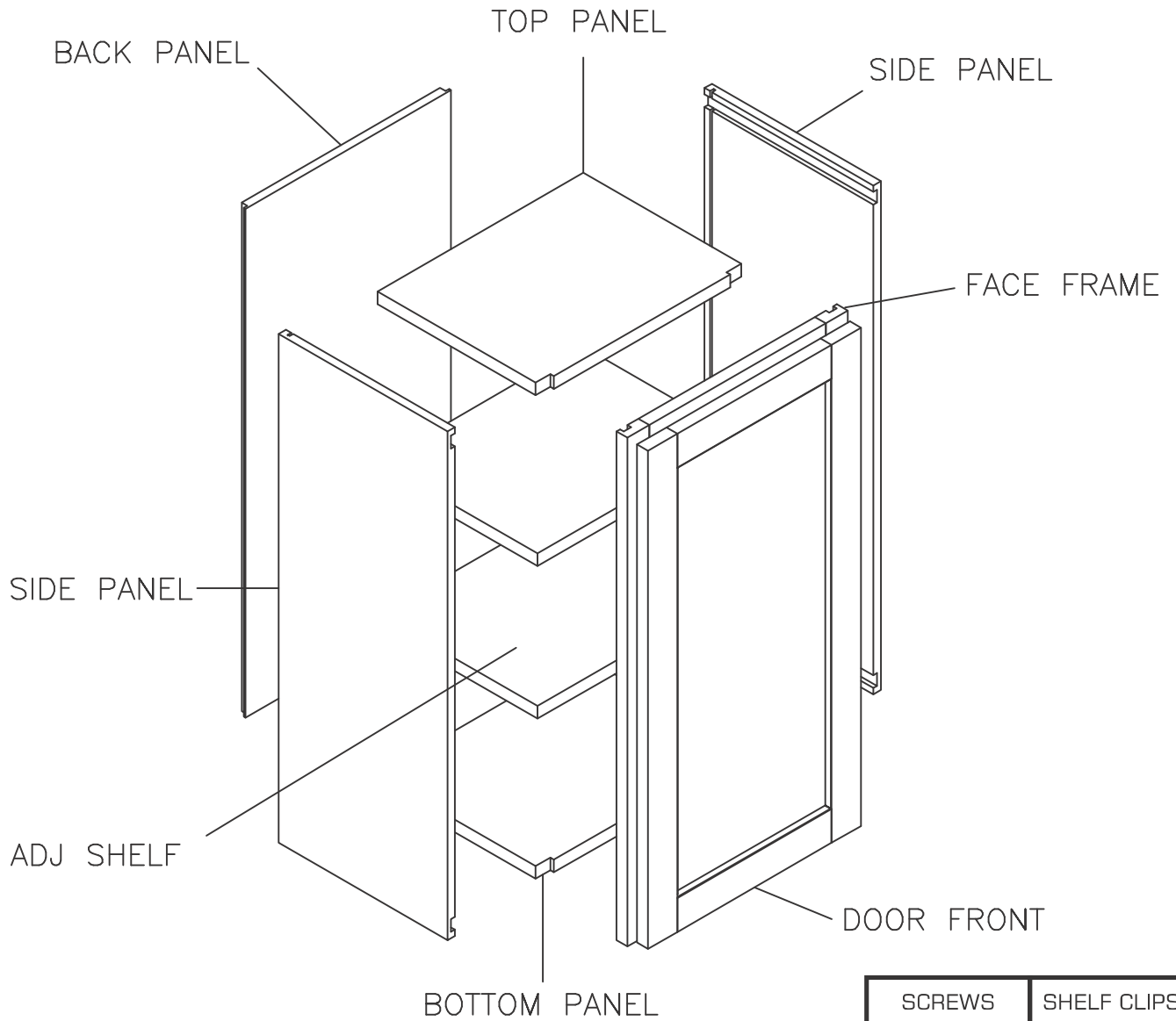


**STEP
25**

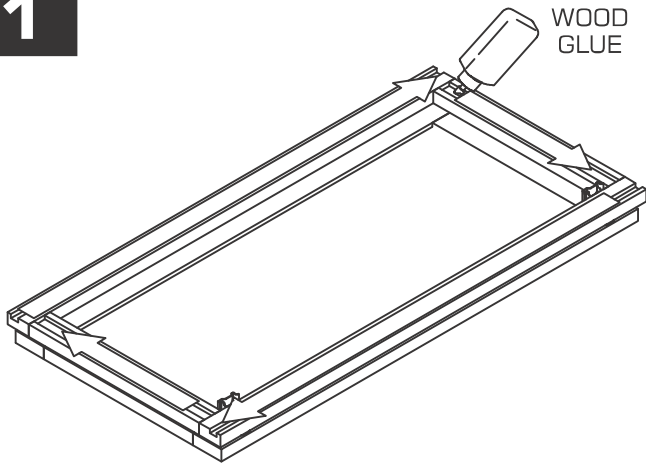


ASSEMBLING INSTRUCTIONS - WALL CABINET

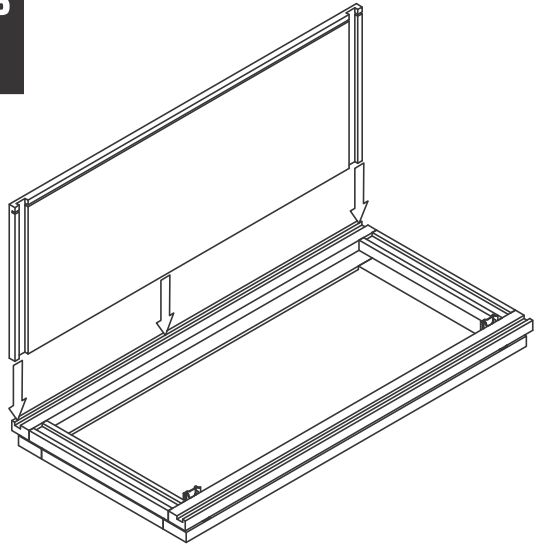
WALL CABINET



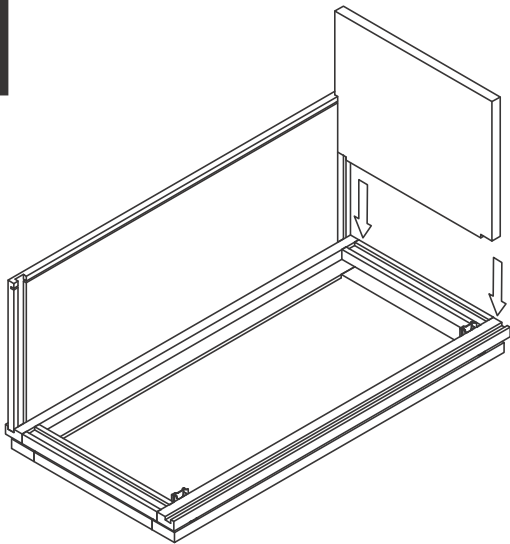
STEP 1



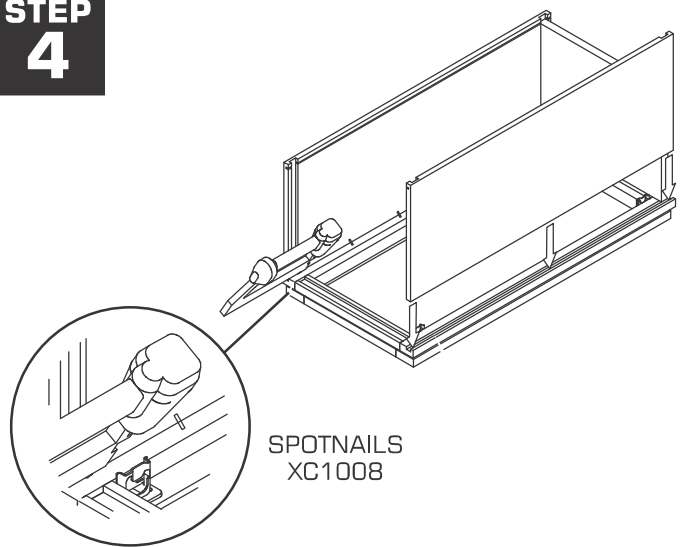
STEP 2



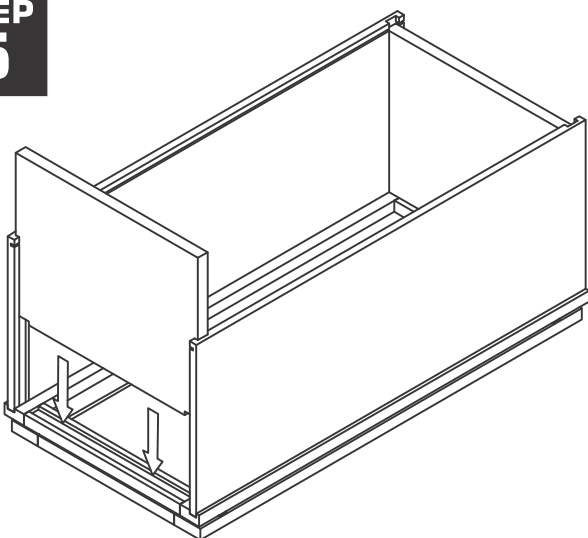
STEP 3



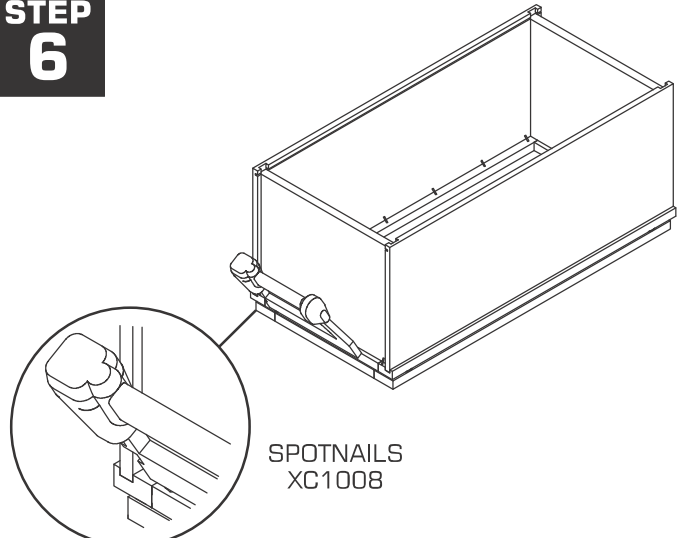
STEP 4



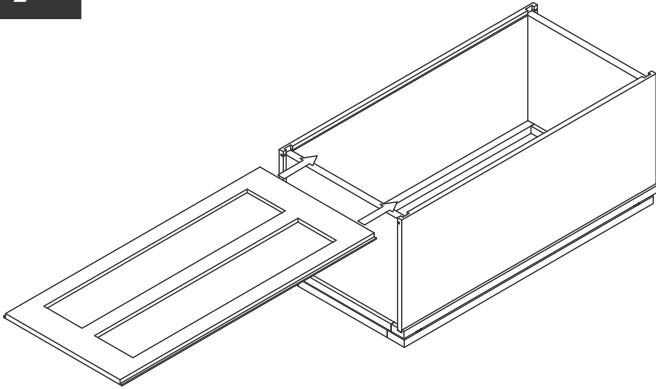
STEP 5



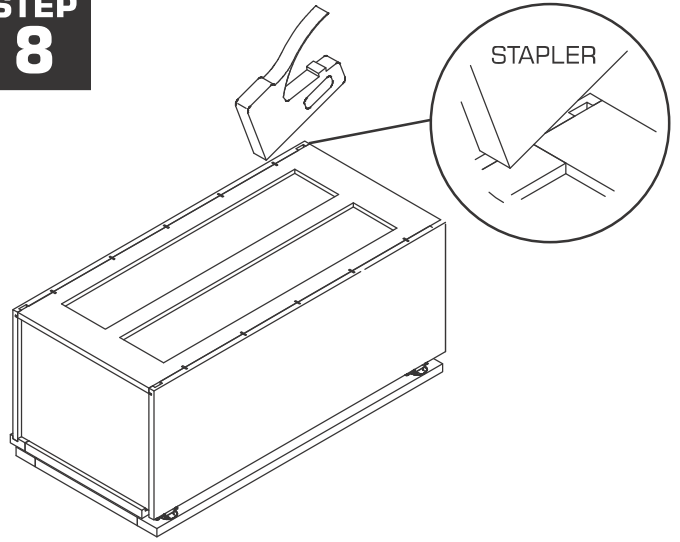
STEP 6



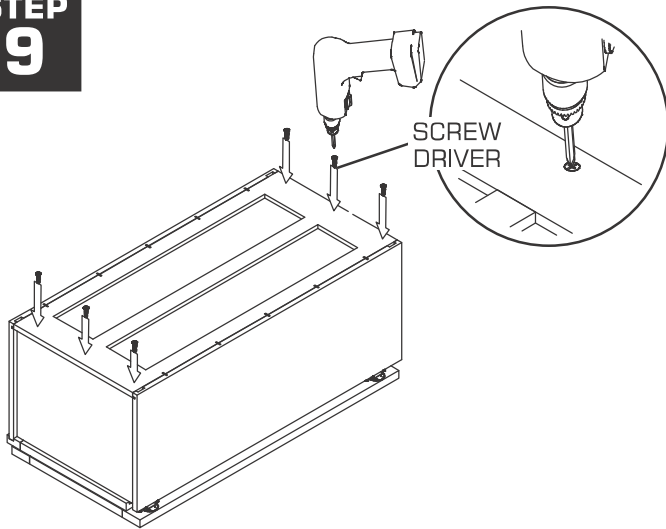
STEP 7



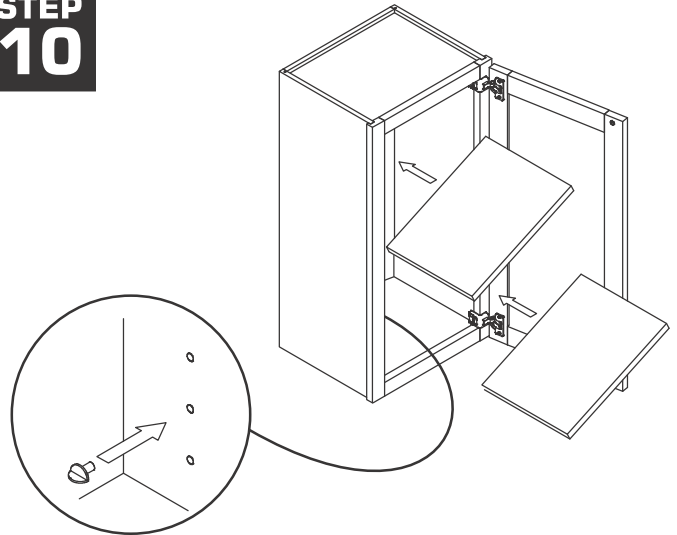
STEP 8



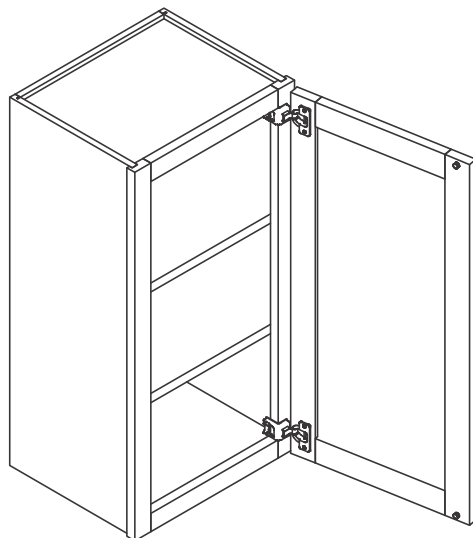
STEP 9



STEP 10

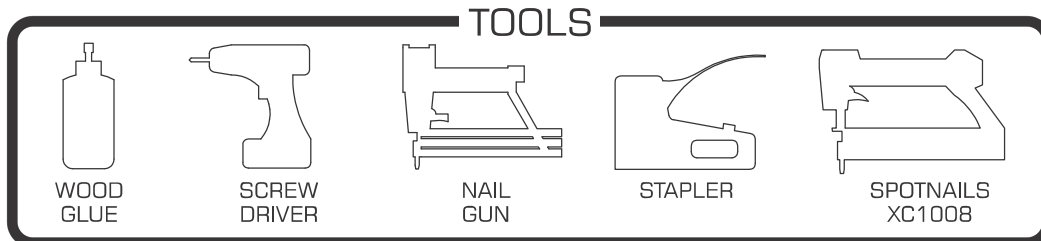
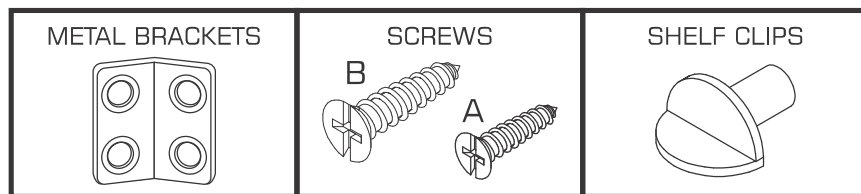
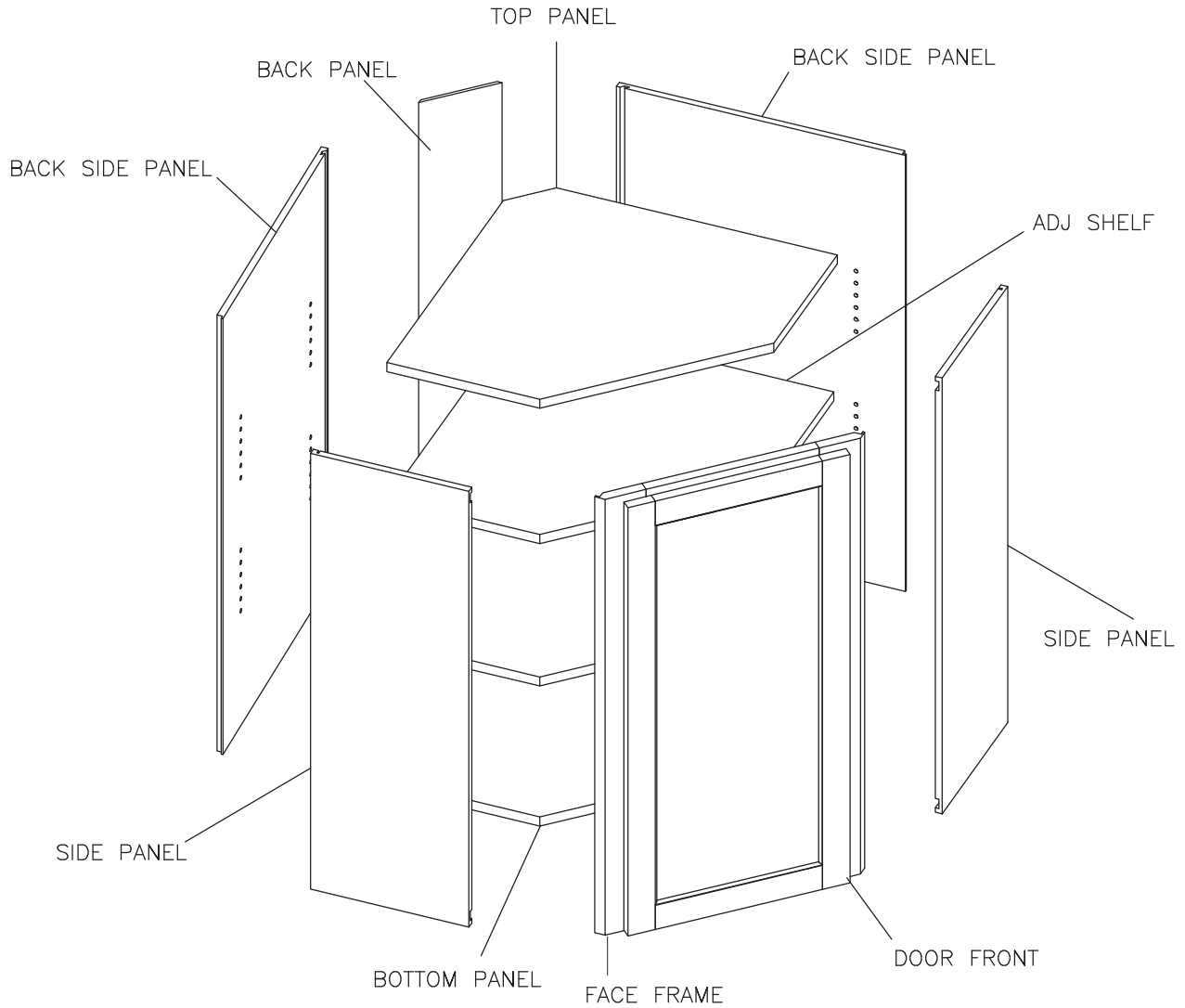


STEP 11

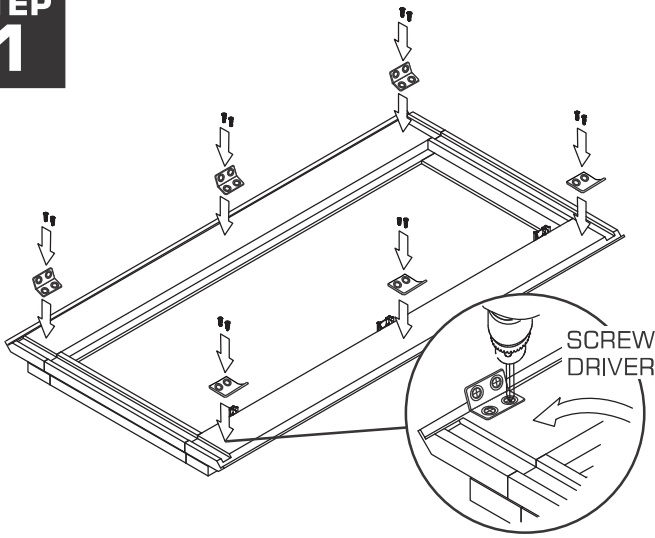


ASSEMBLING INSTRUCTIONS - WALL DIAGONAL CORNER CABINET

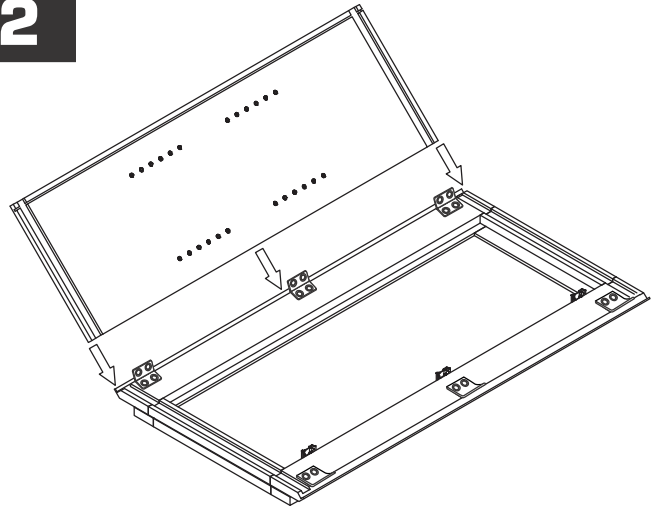
WALL DIAGONAL CORNER CABINET



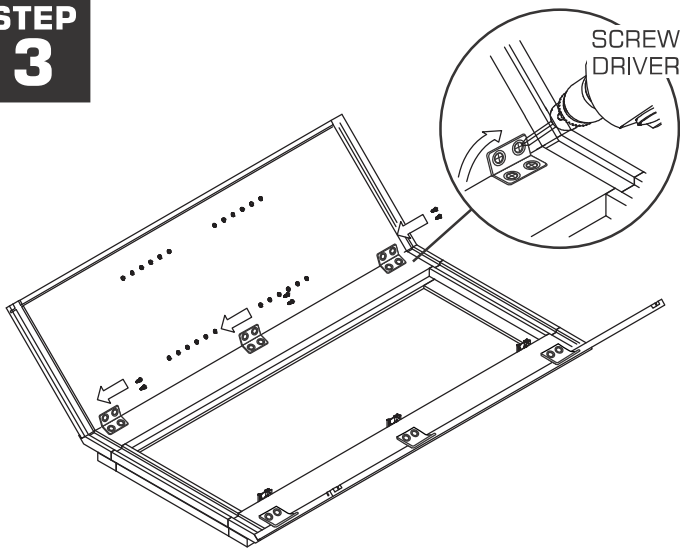
STEP 1



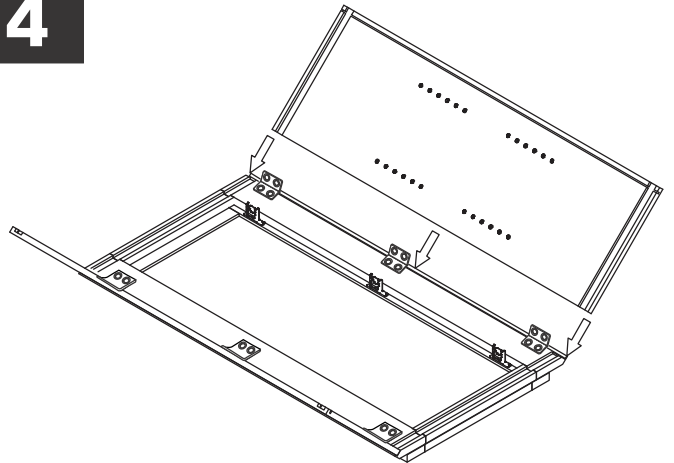
STEP 2



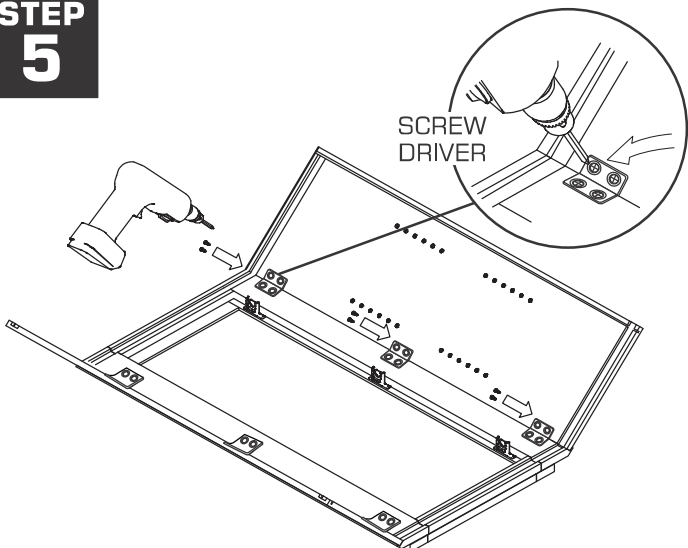
STEP 3



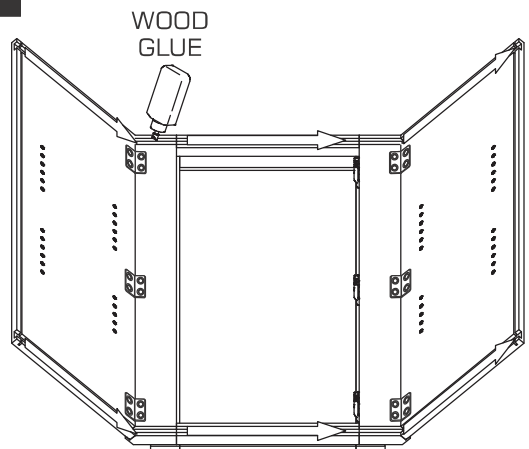
STEP 4



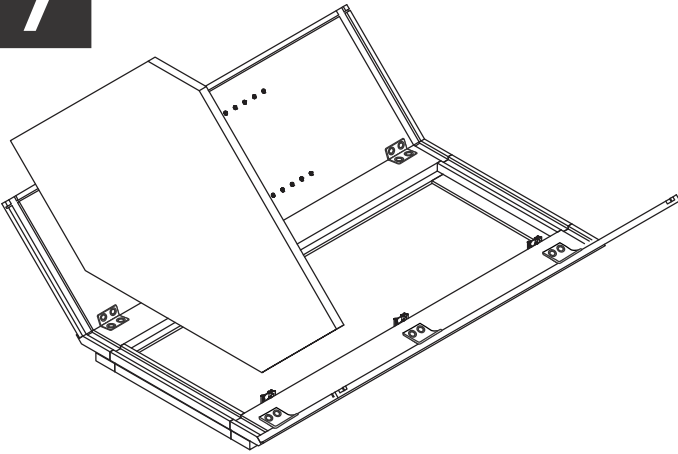
STEP 5



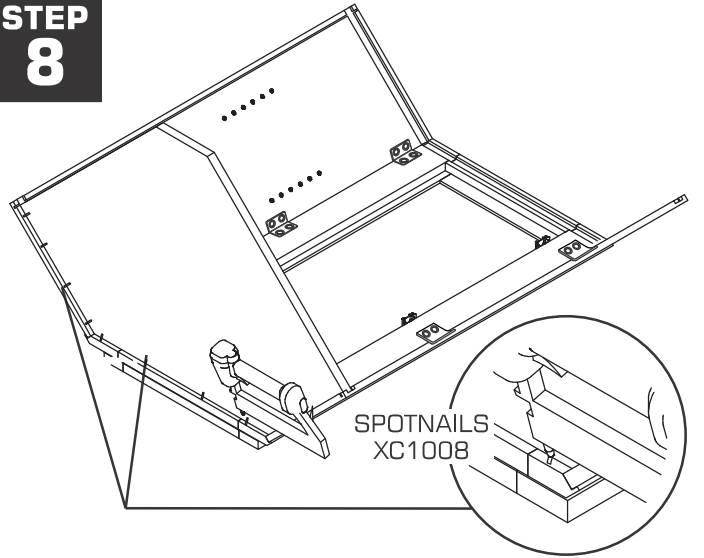
STEP 6



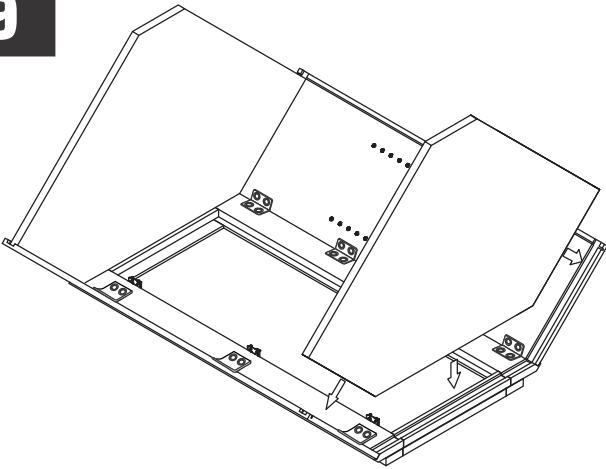
STEP 7



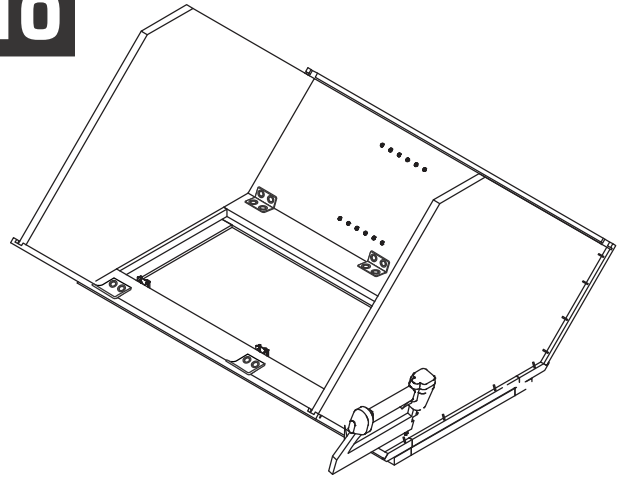
STEP 8



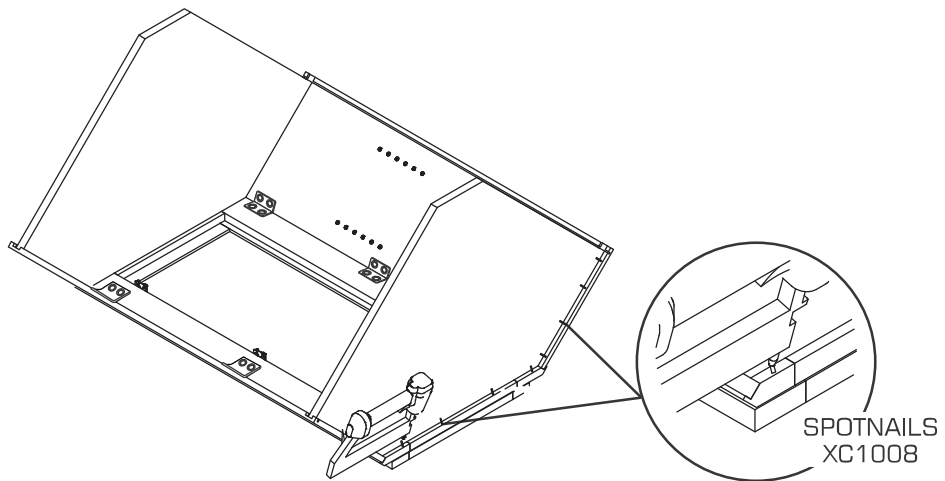
STEP 9



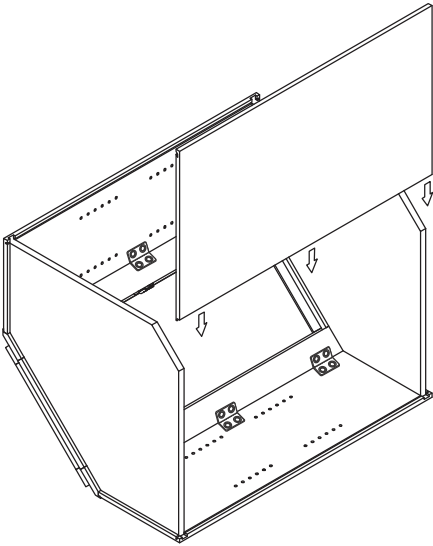
STEP 10



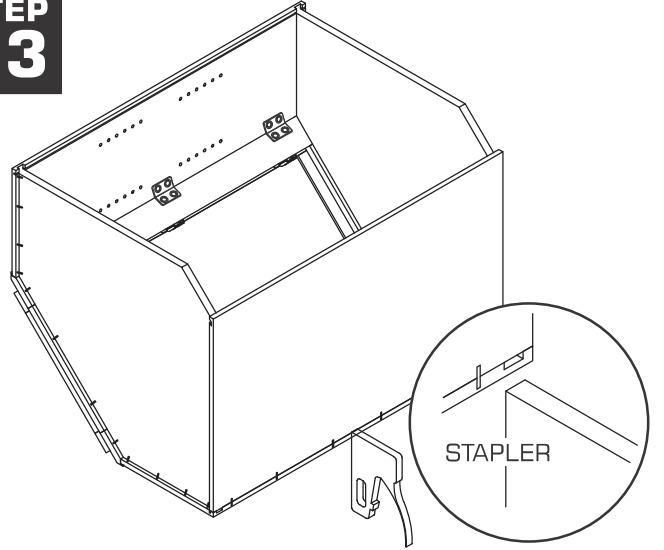
STEP 11



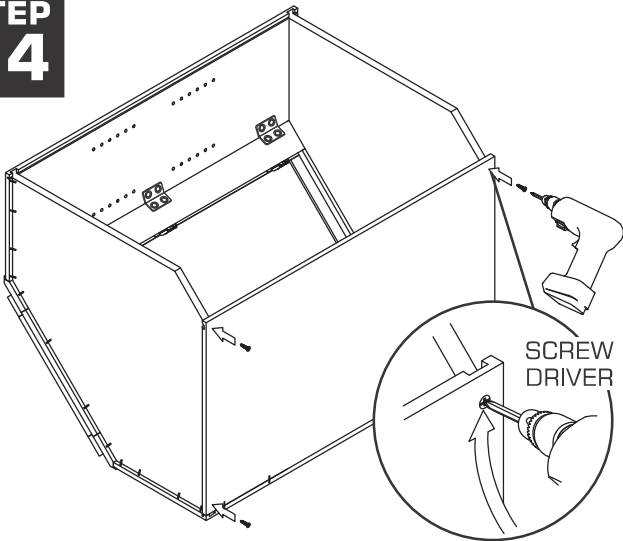
STEP 12



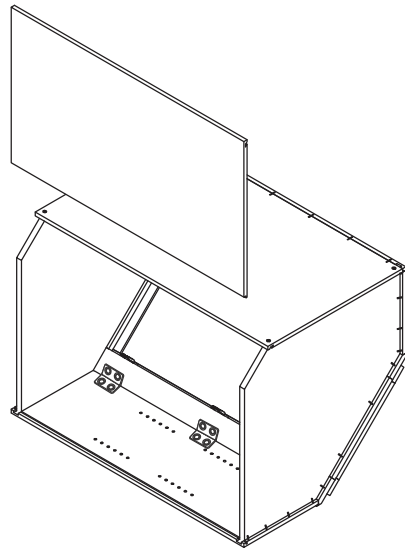
STEP 13



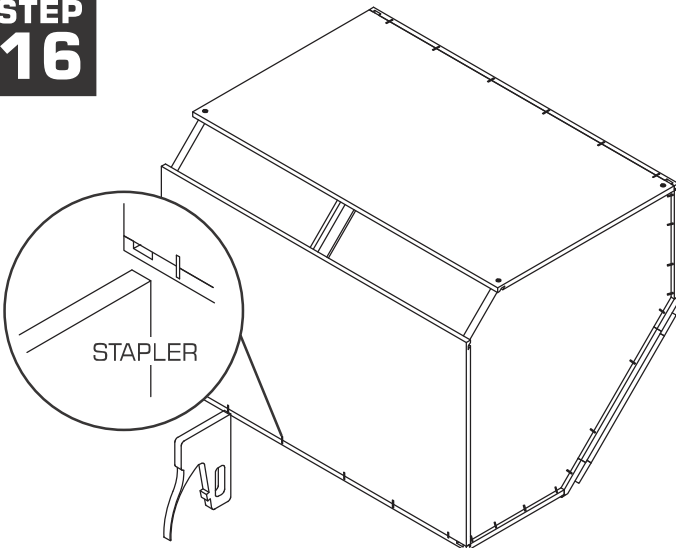
STEP 14



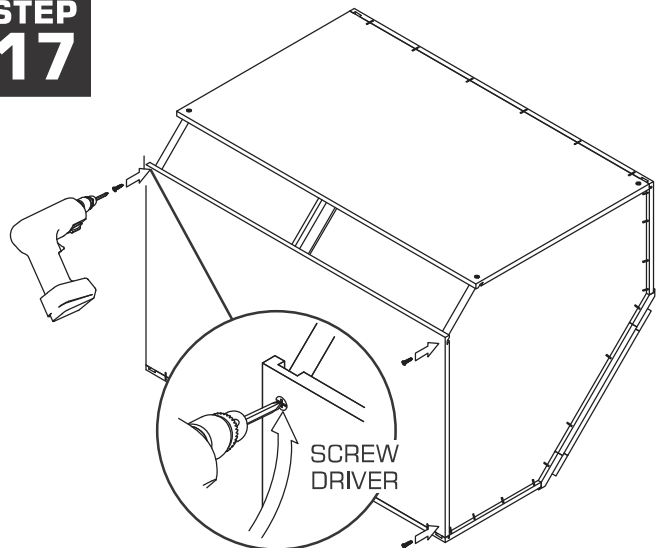
STEP 15



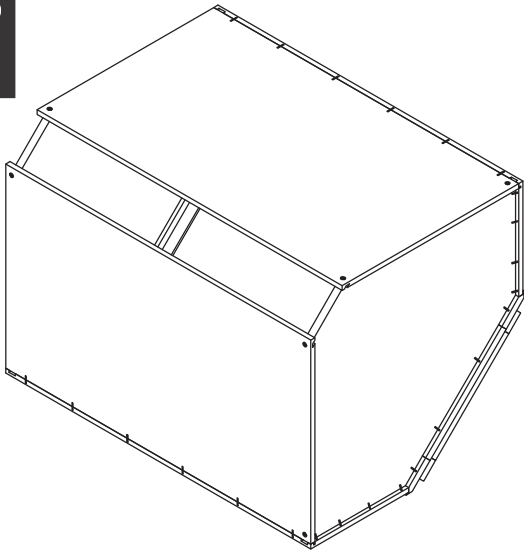
STEP 16



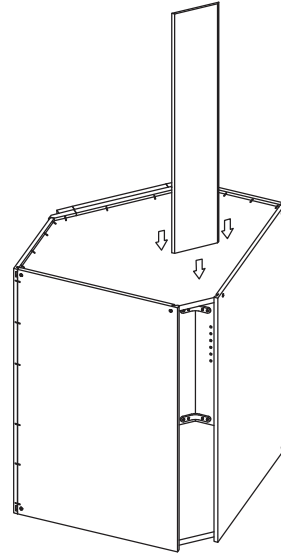
STEP 17



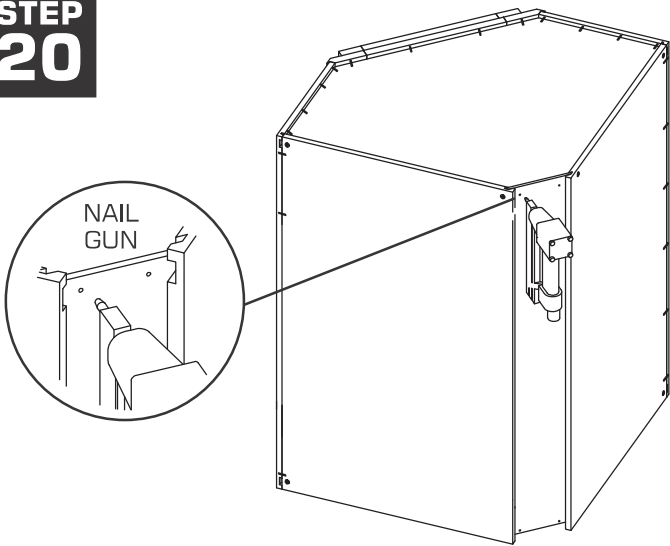
STEP 18



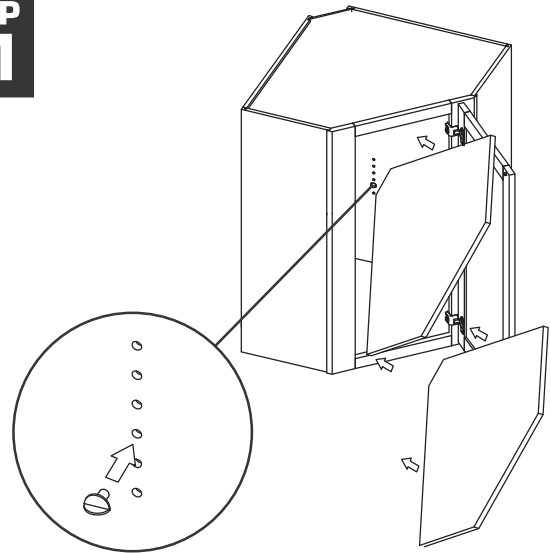
STEP 19



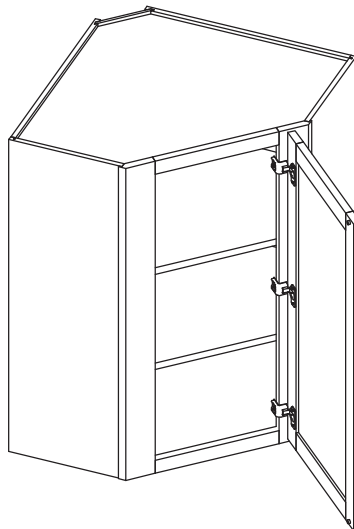
STEP 20



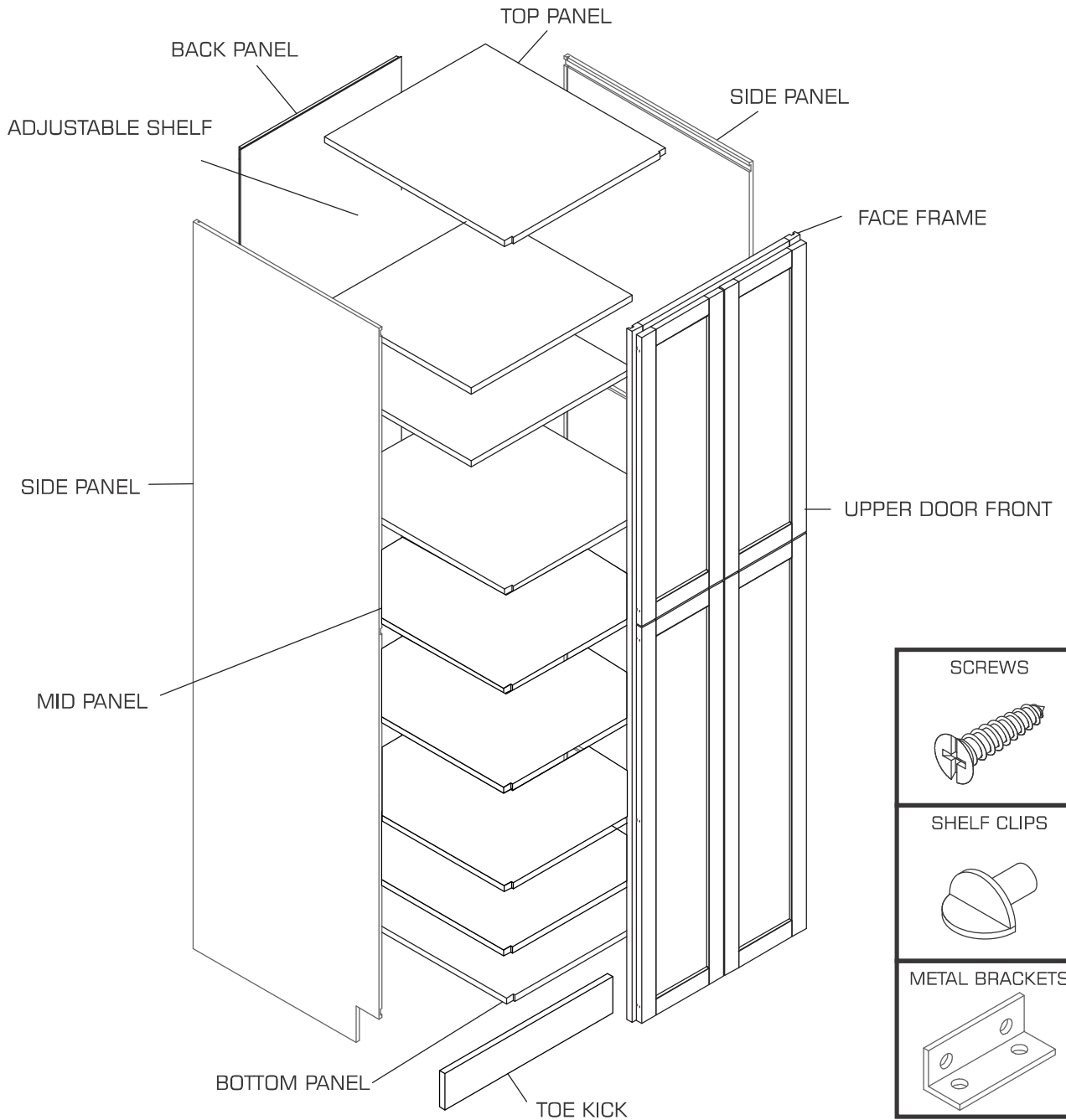
STEP 21



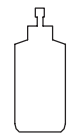
STEP 22



ASSEMBLING INSTRUCTIONS - TALL PANTRY



TOOLS



WOOD GLUE



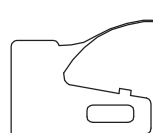
SCREW DRIVER



RUBBER Mallet



NAIL GUN

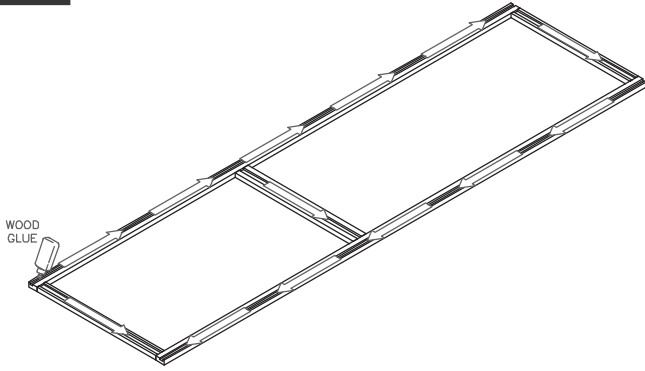


STAPLER

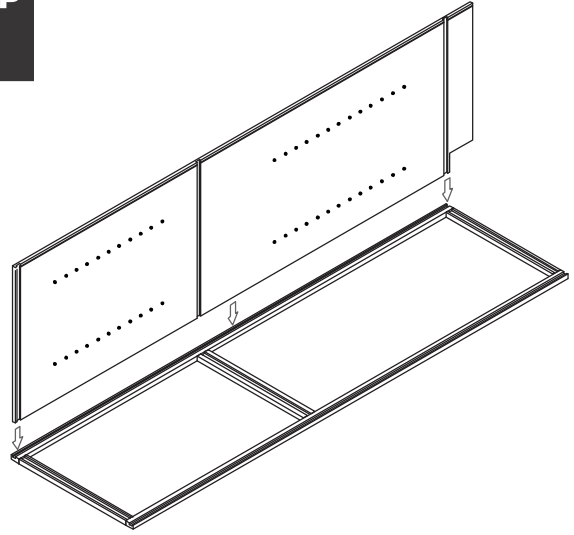


SPOTNAILS XC1008

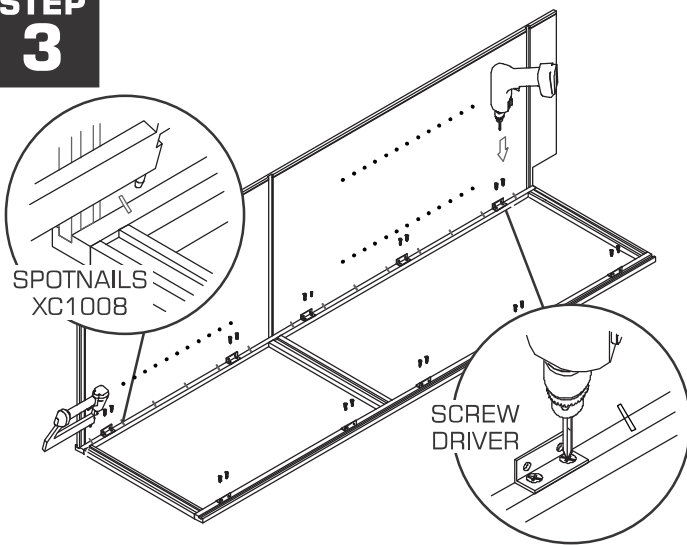
STEP 1



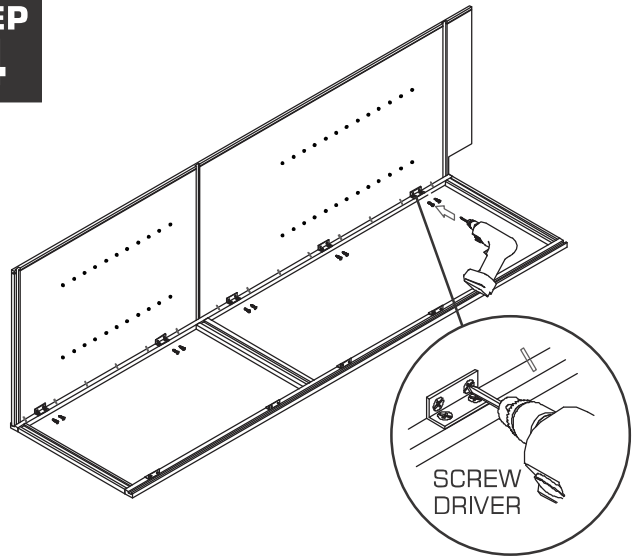
STEP 2



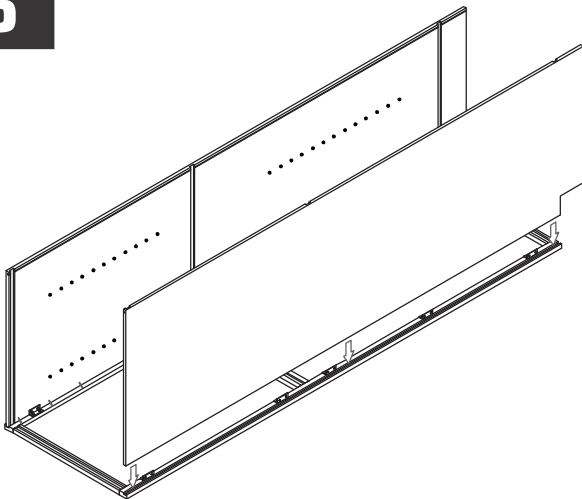
STEP 3



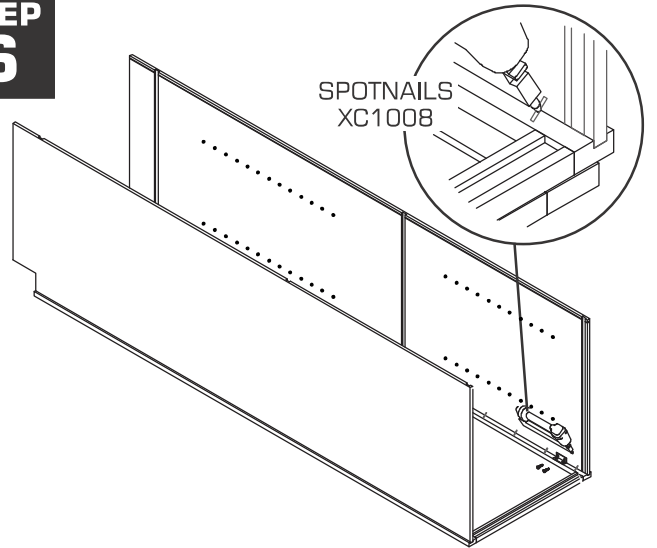
STEP 4



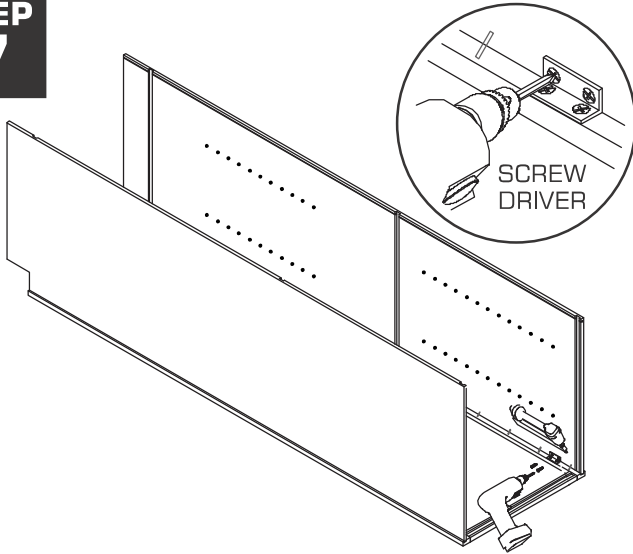
STEP 5



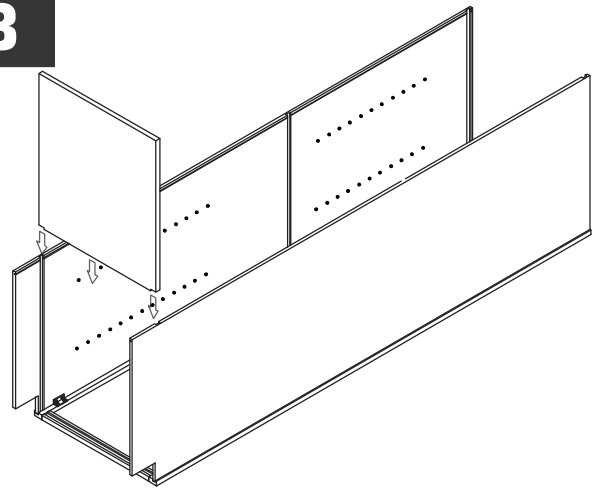
STEP 6



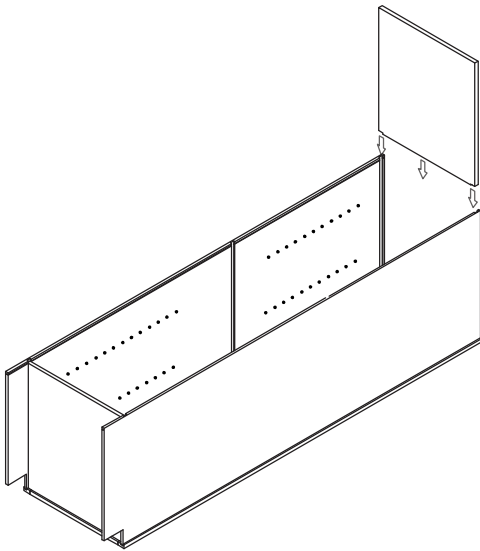
STEP
7



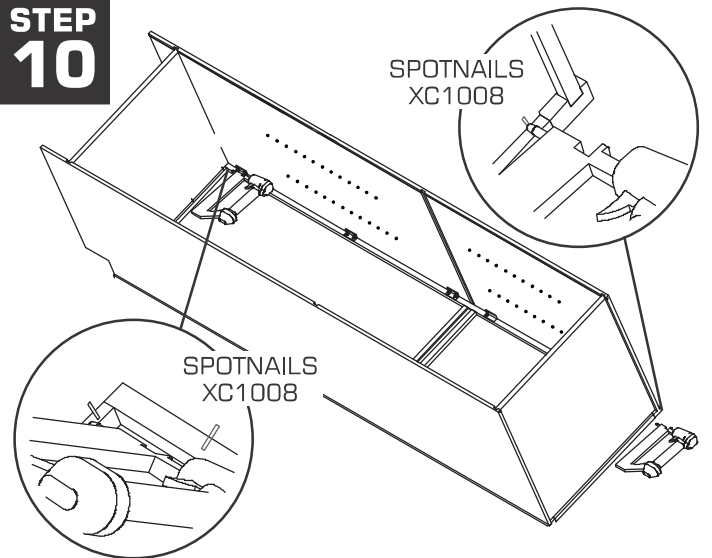
STEP
8



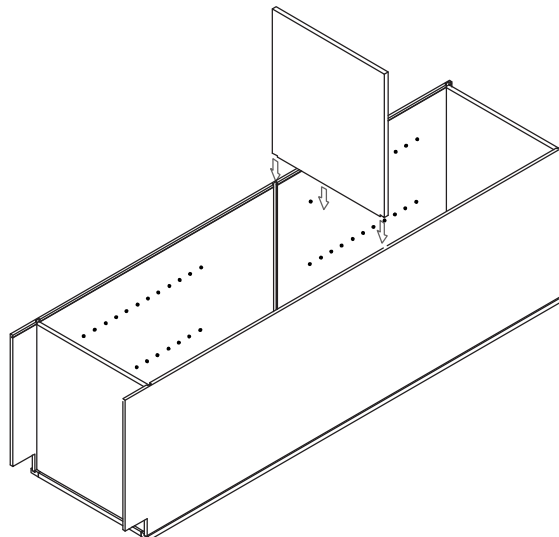
STEP
9



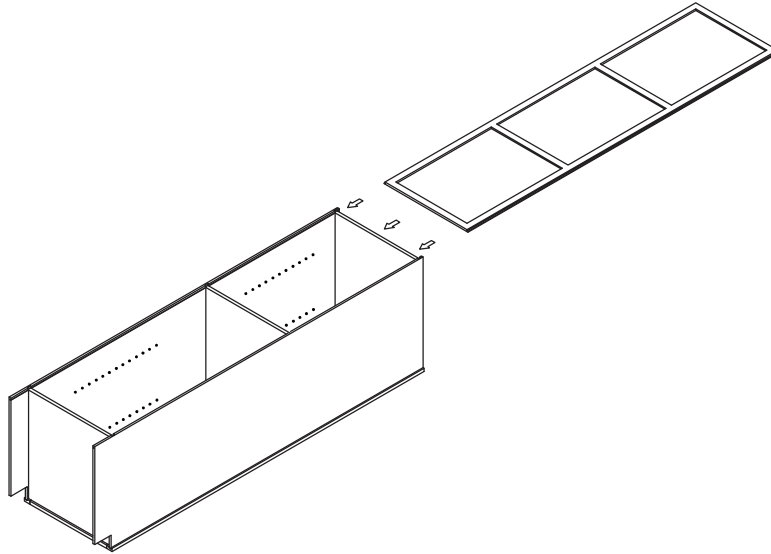
STEP
10



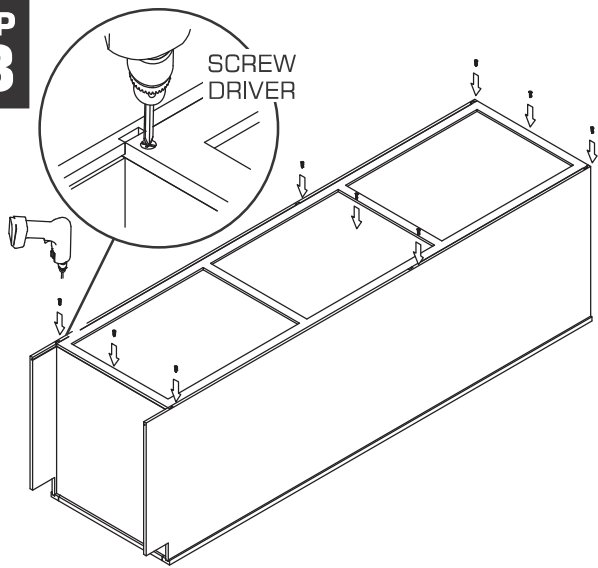
STEP
11



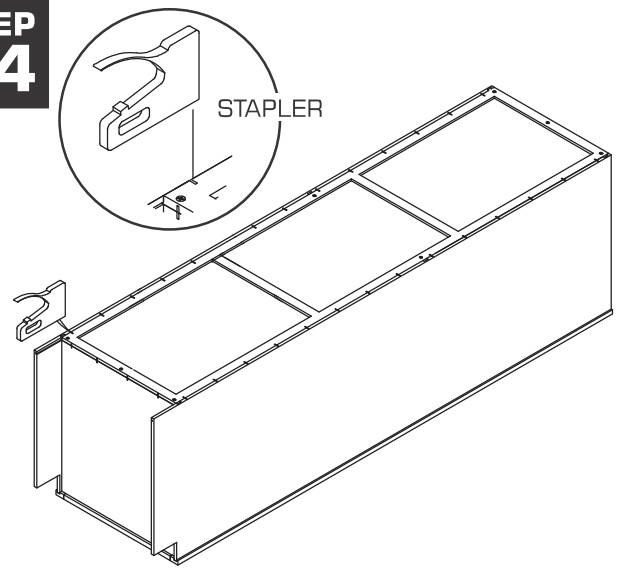
STEP 12



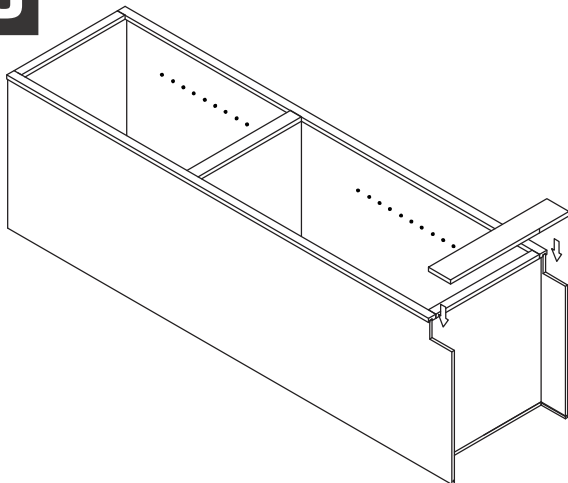
STEP 13



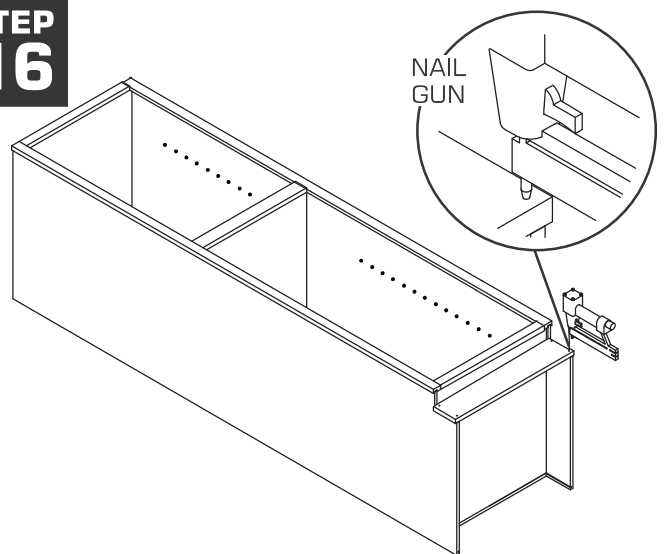
STEP 14



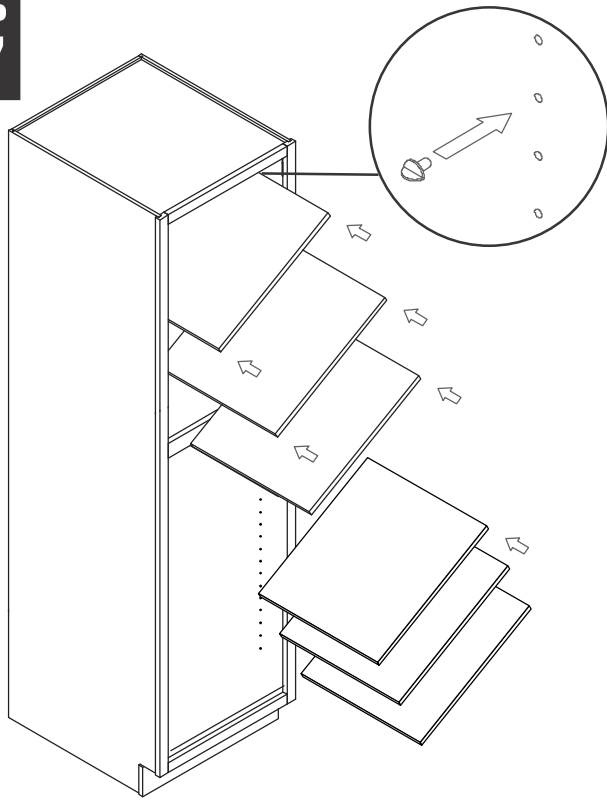
STEP 15



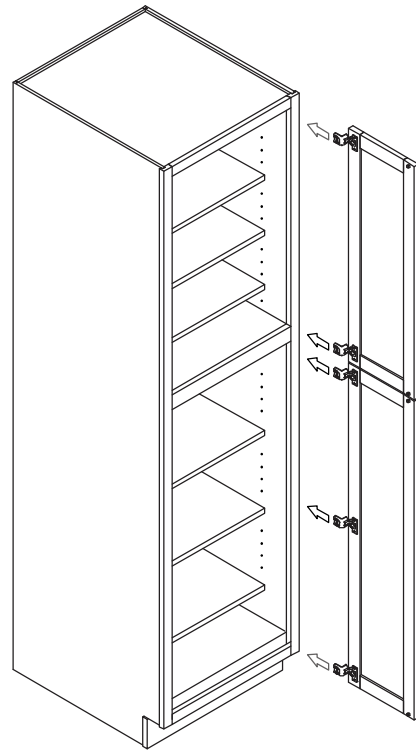
STEP 16



**STEP
17**

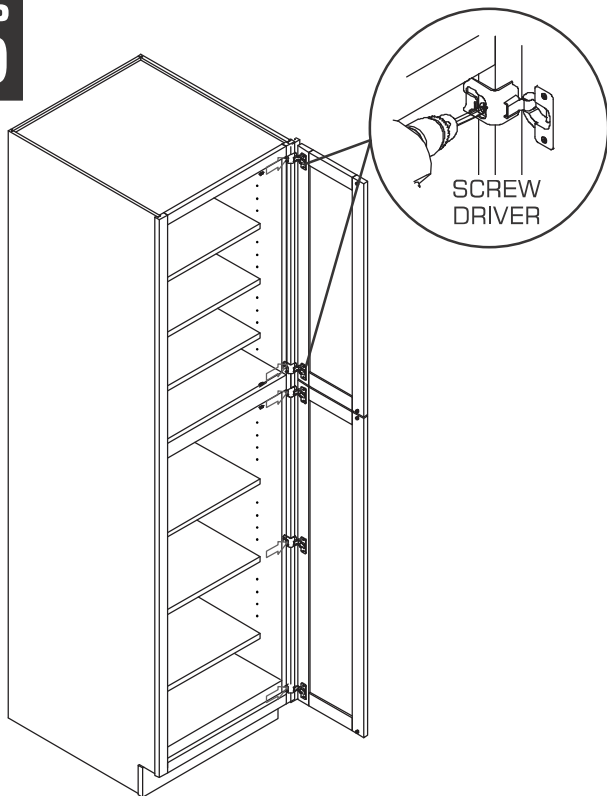


**STEP
18**

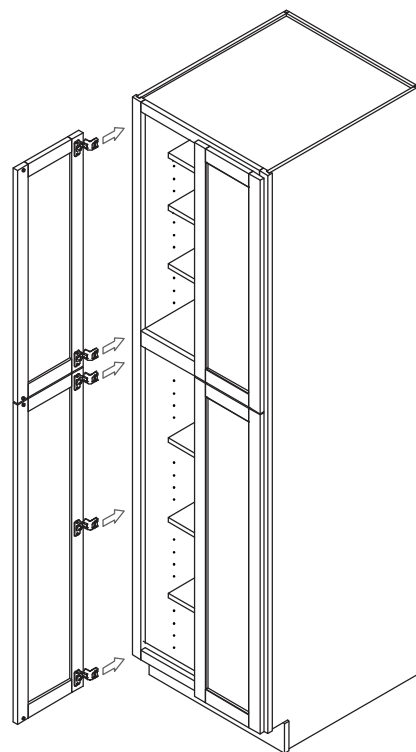


PANTRY

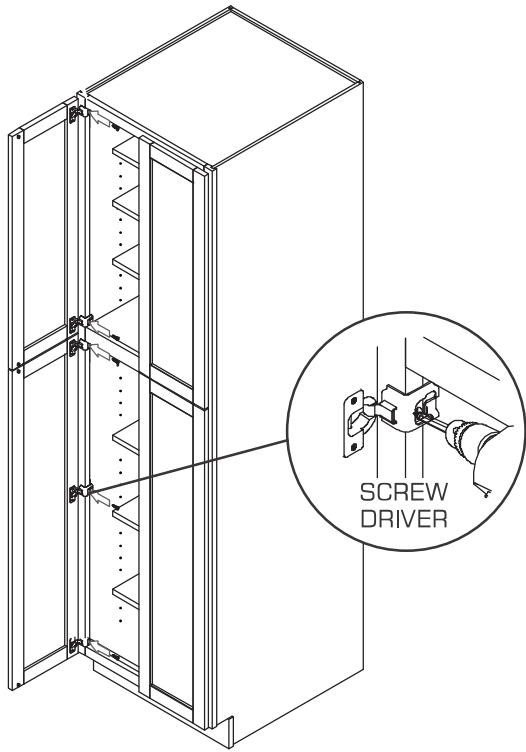
**STEP
19**



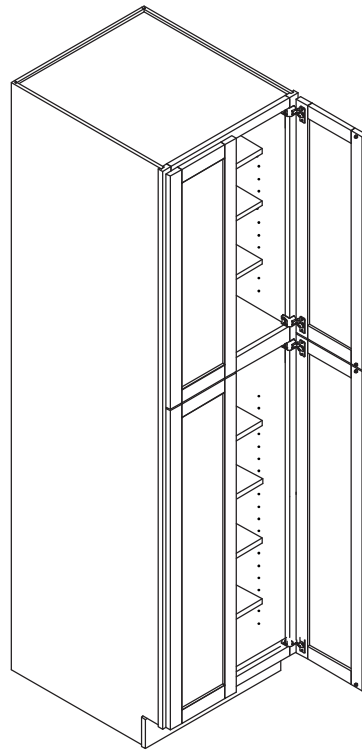
**STEP
20**



**STEP
21**

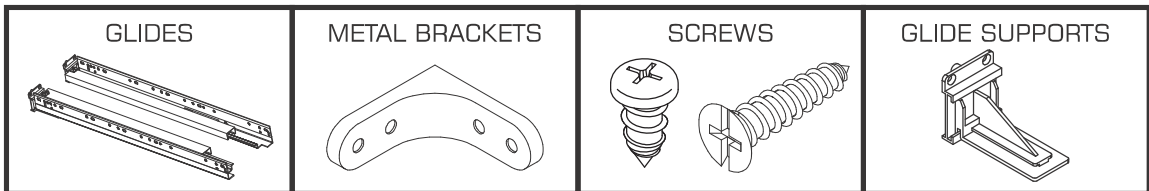
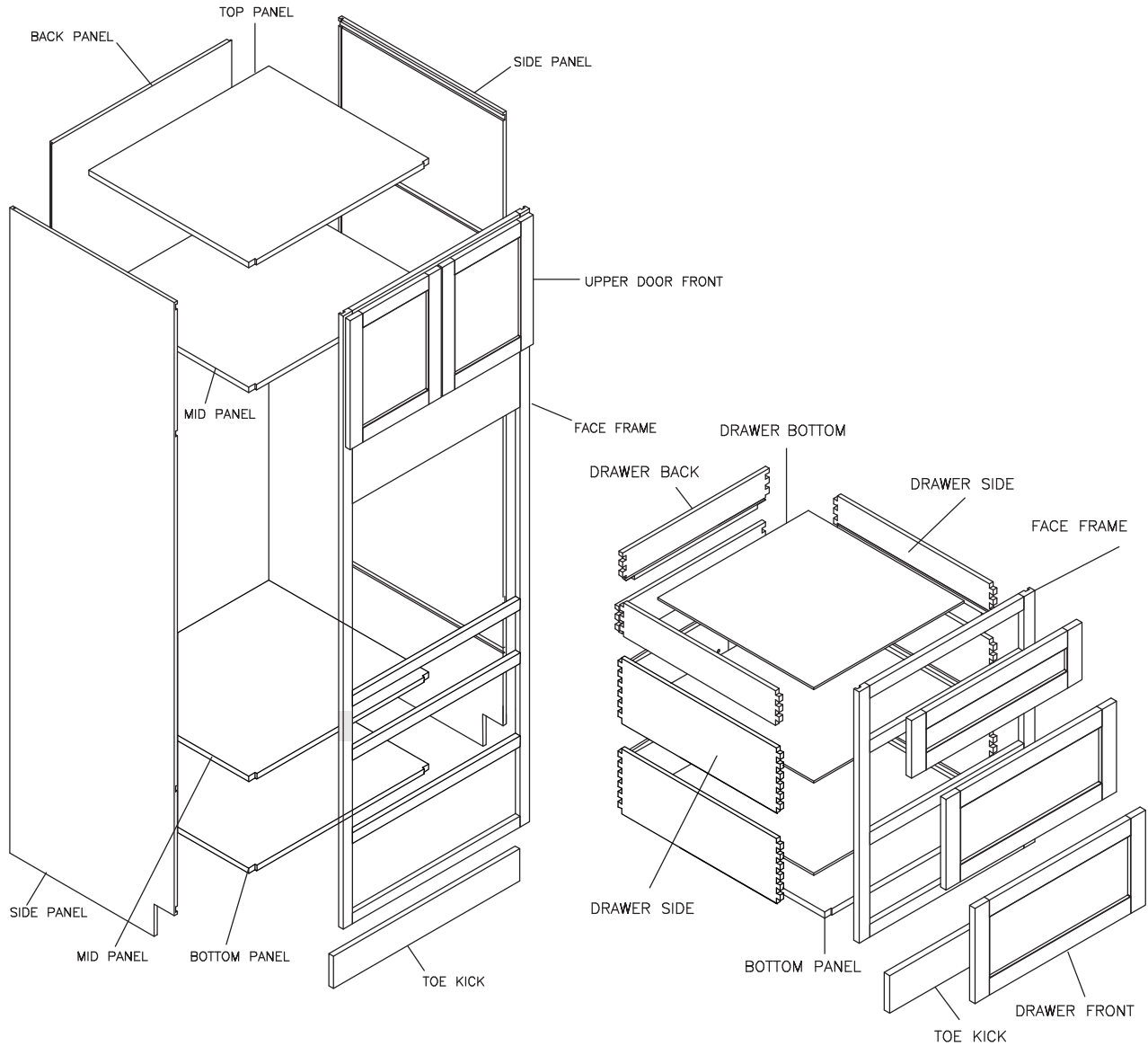


**STEP
22**

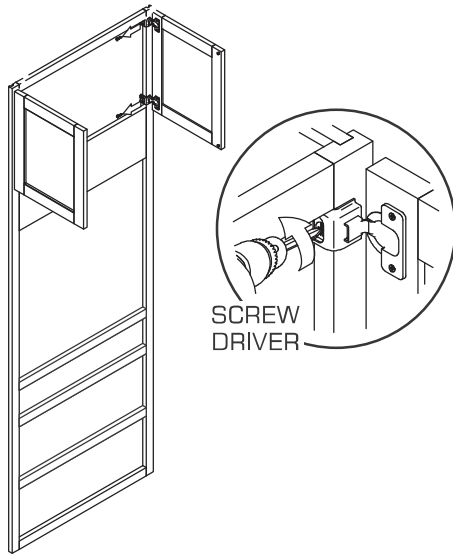


PANTRY

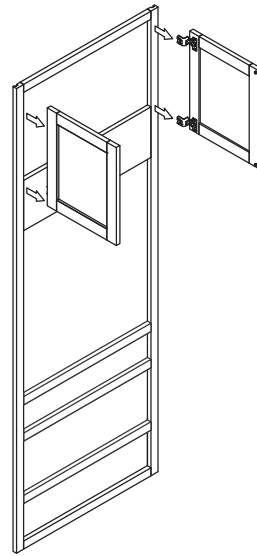
ASSEMBLING INSTRUCTIONS - OVEN CABINET



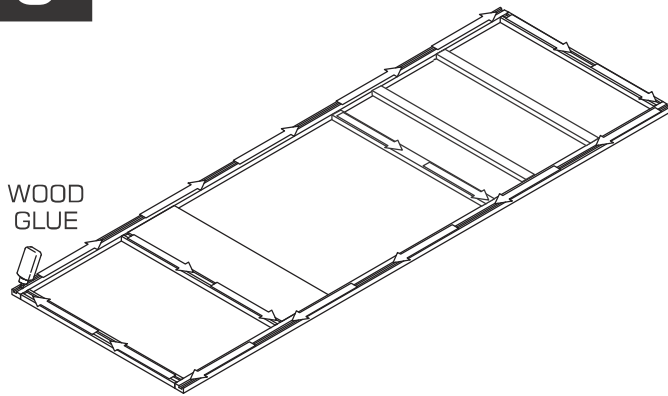
STEP 1



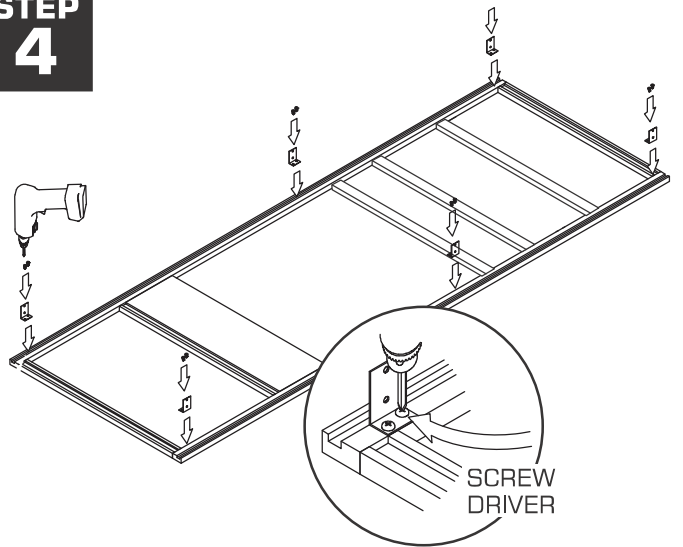
STEP 2



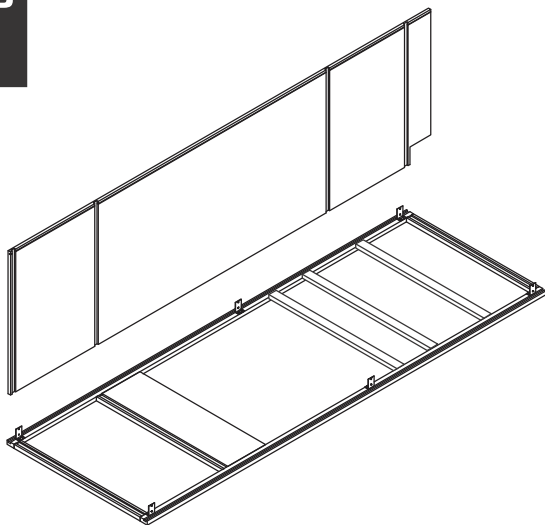
STEP 3



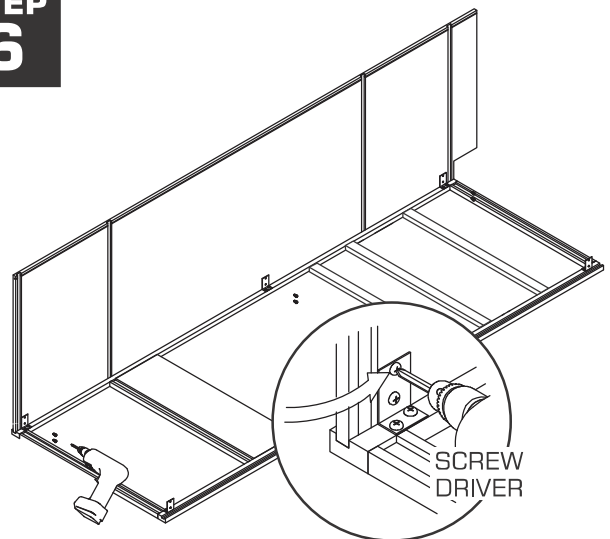
STEP 4



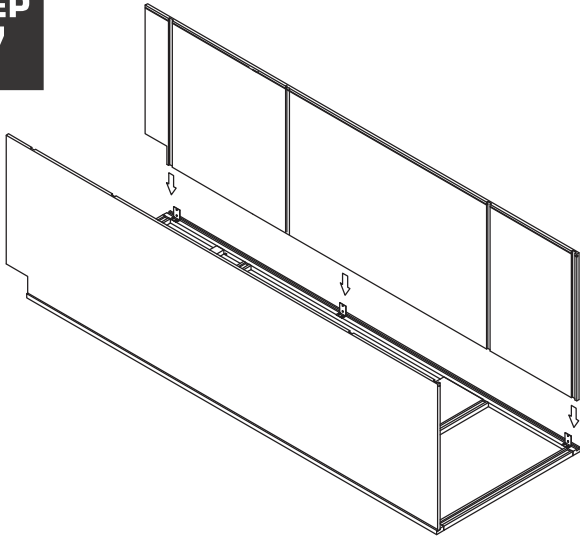
STEP 5



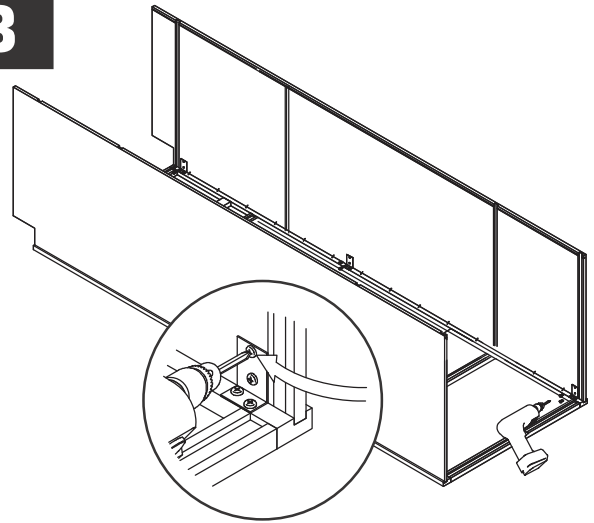
STEP 6



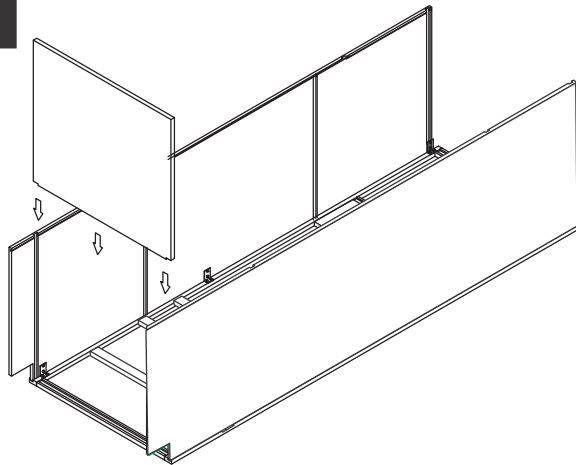
STEP 7



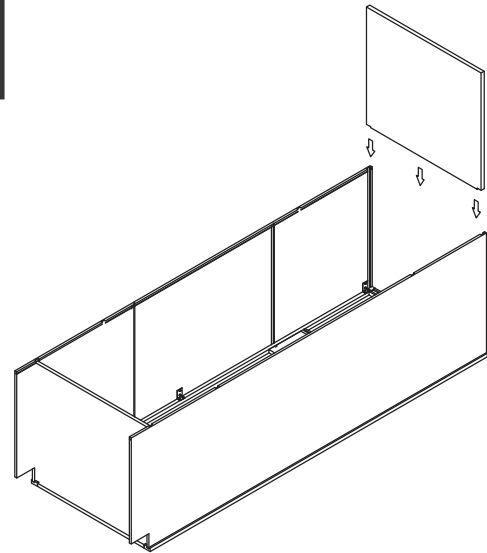
STEP 8



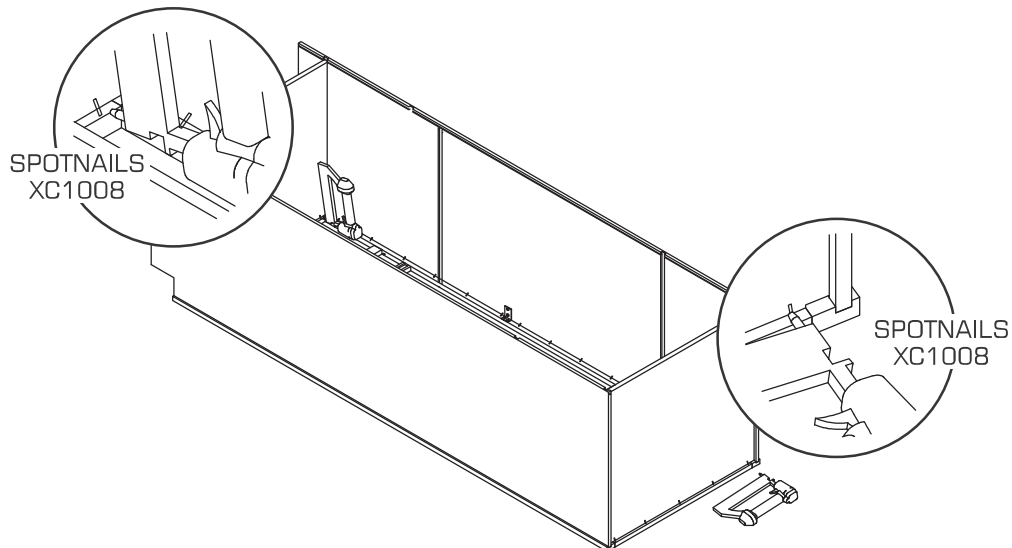
STEP 9



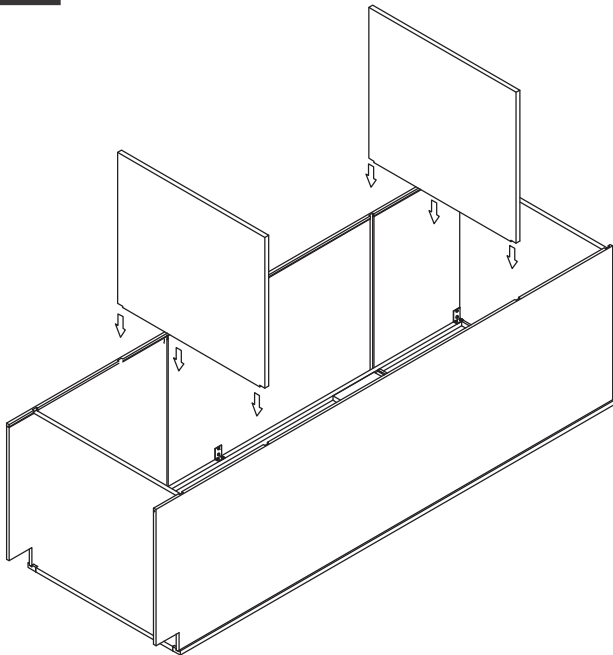
STEP 10



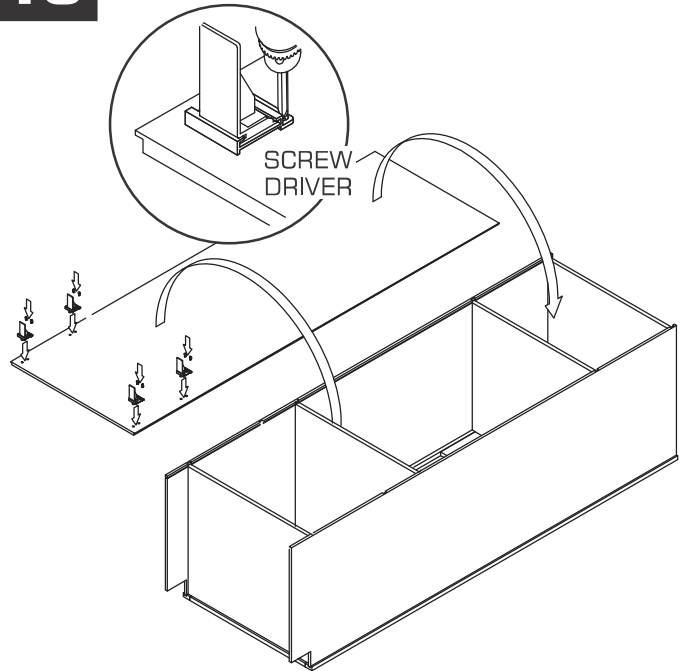
STEP 11



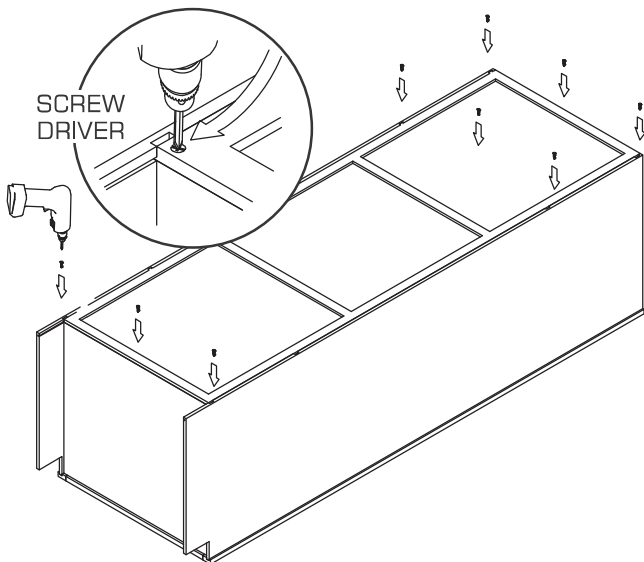
STEP 12



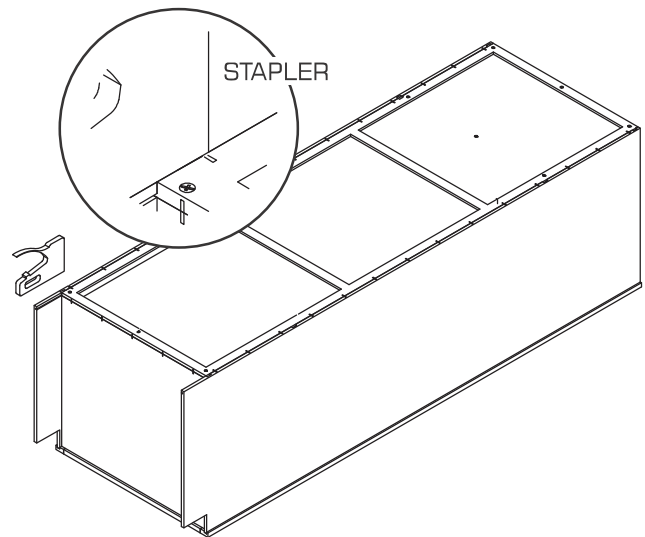
STEP 13



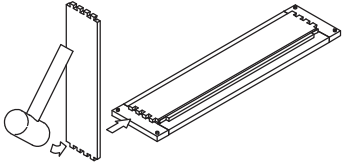
STEP 14



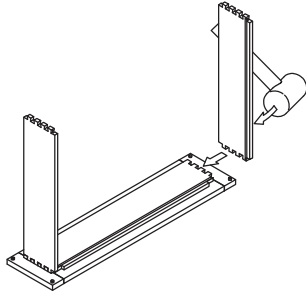
STEP 15



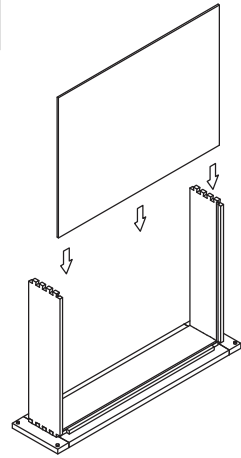
STEP 16



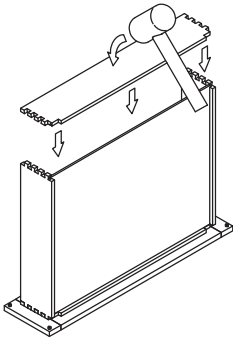
STEP 17



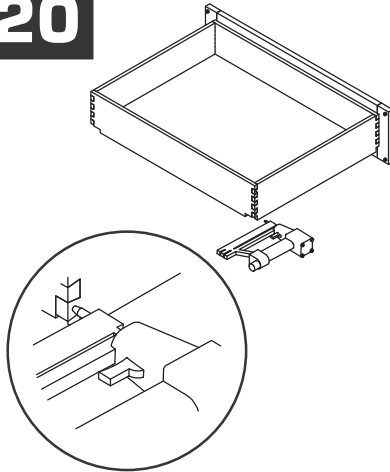
STEP 18



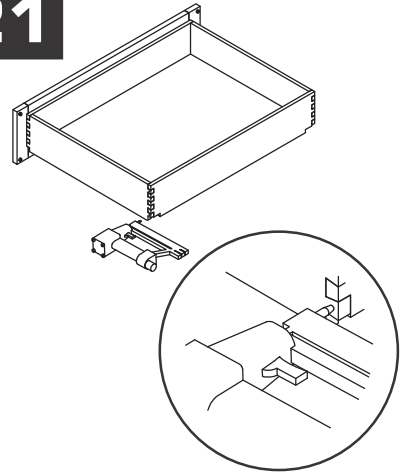
STEP 19



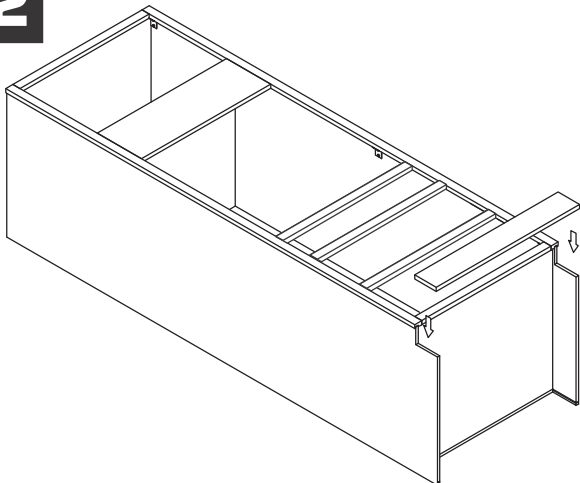
STEP 20



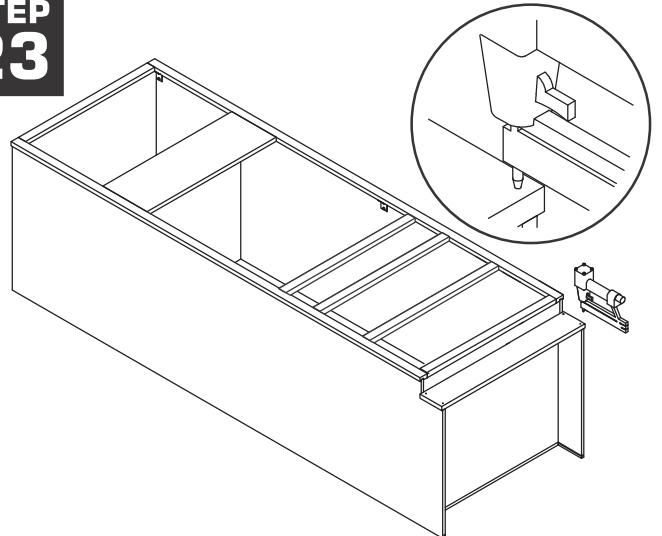
STEP 21



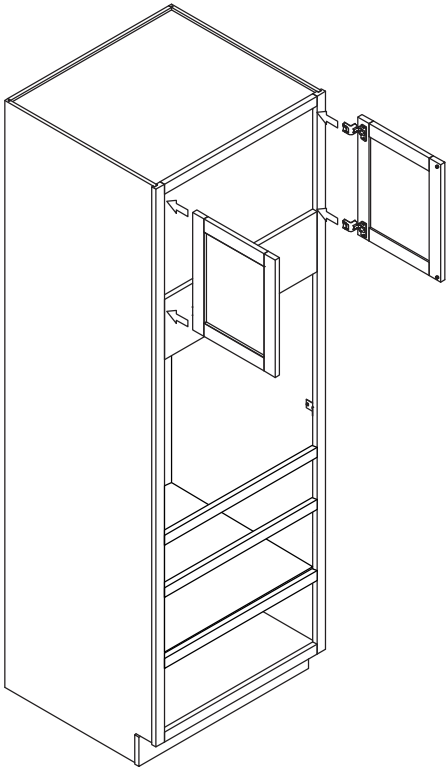
STEP 22



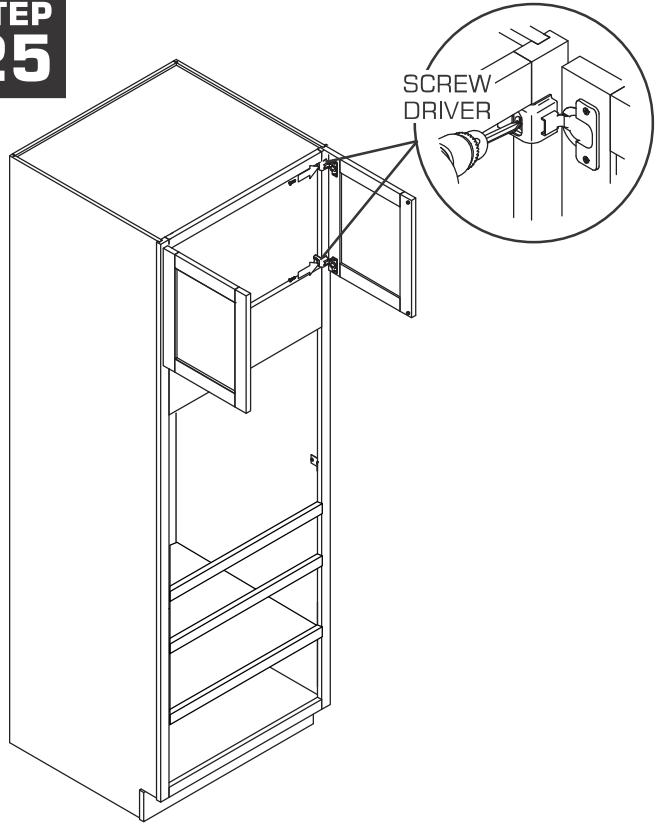
STEP 23



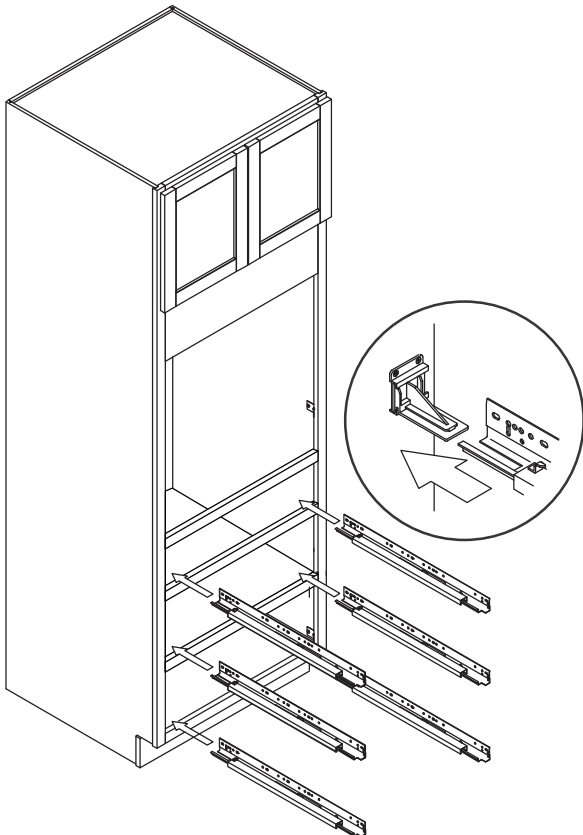
**STEP
24**



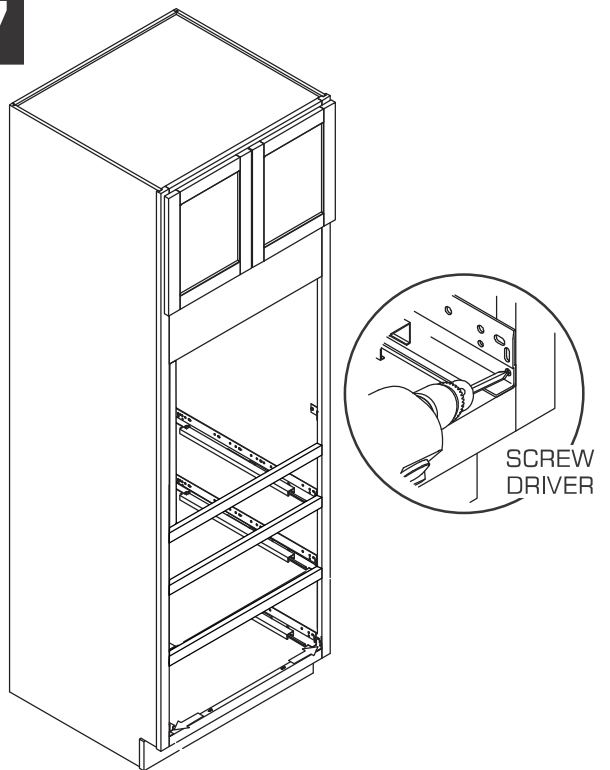
**STEP
25**



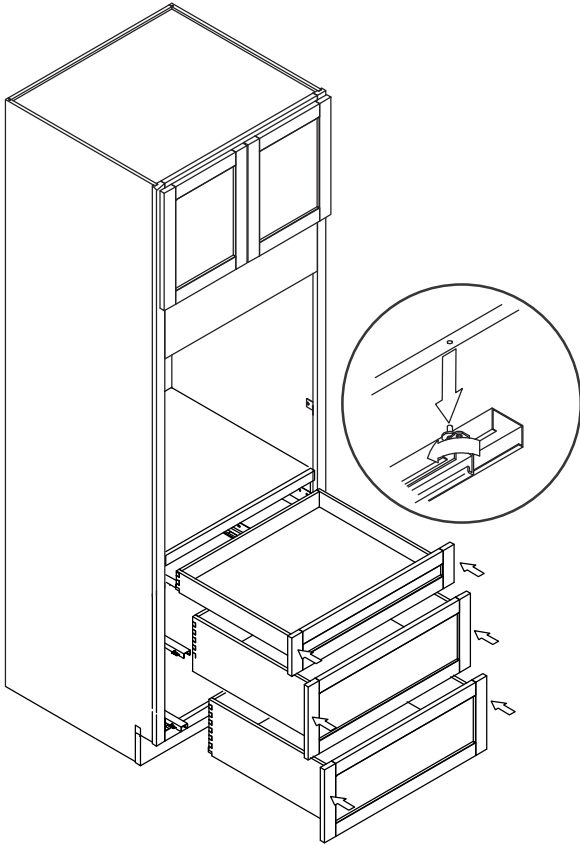
**STEP
26**



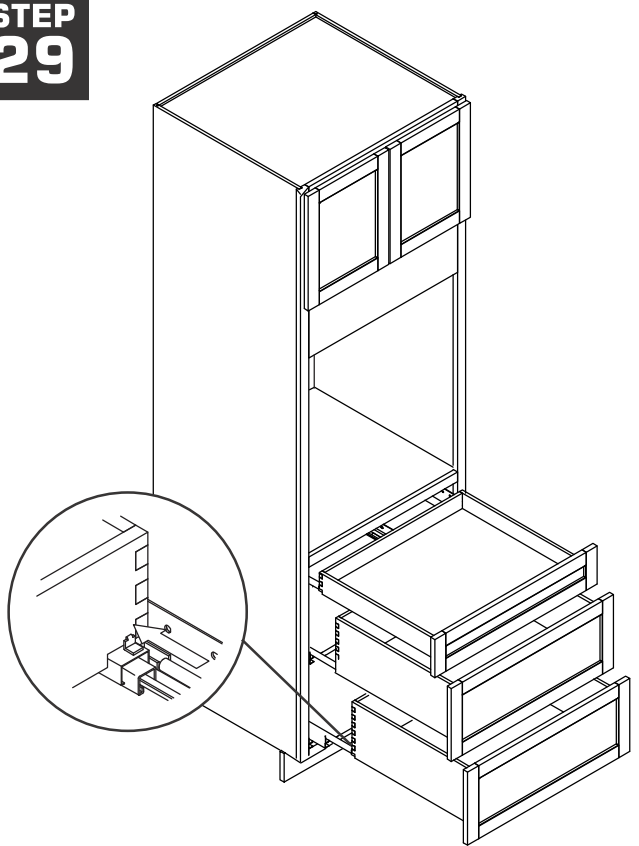
**STEP
27**



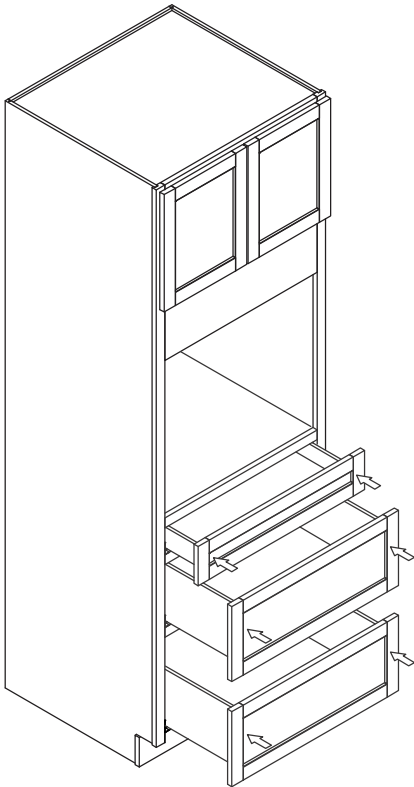
STEP
28



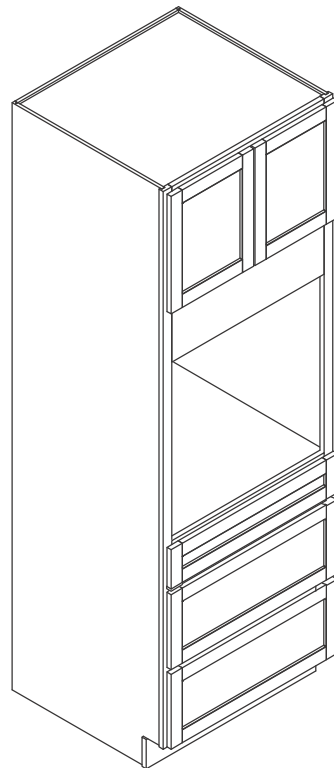
STEP
29



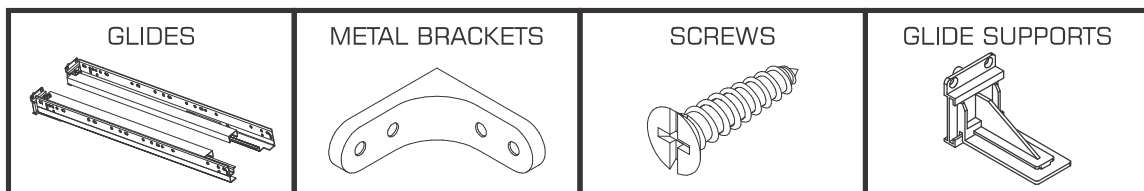
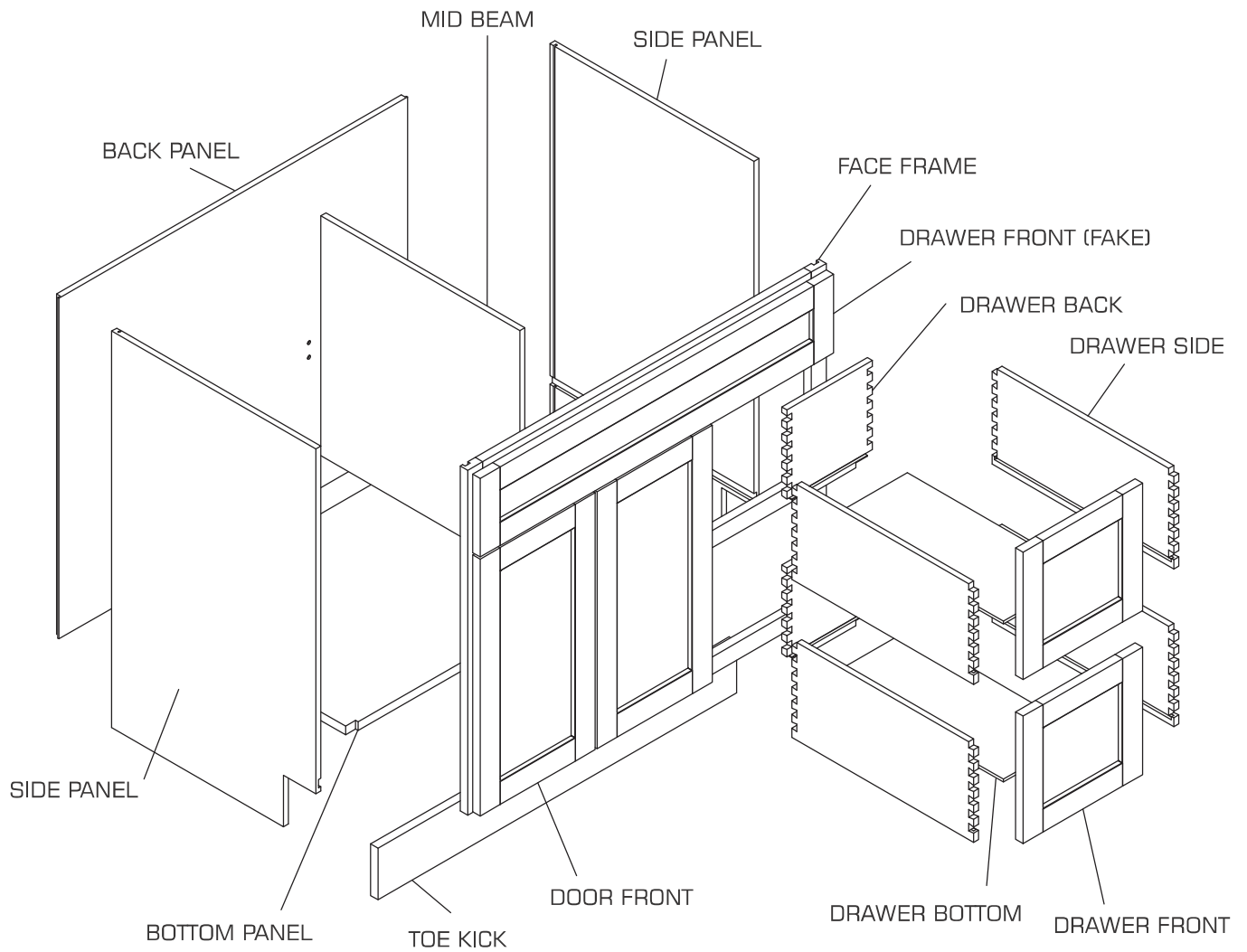
STEP
30



STEP
31

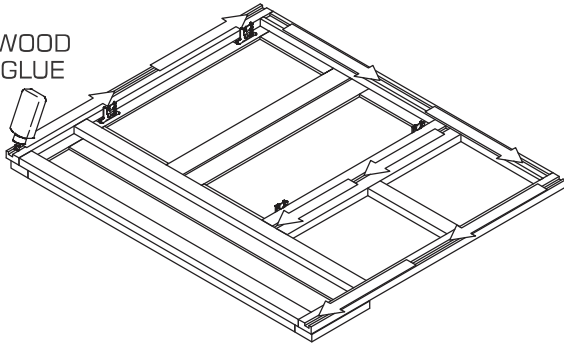


ASSEMBLING INSTRUCTIONS - VANITY CABINET



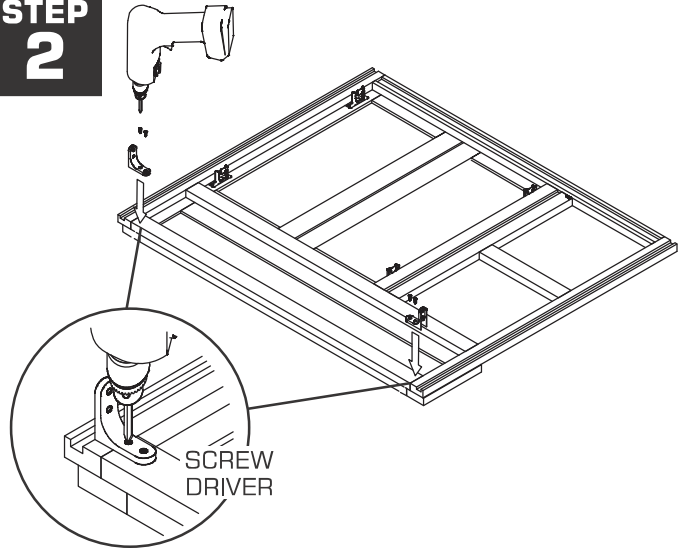
STEP 1

WOOD
GLUE

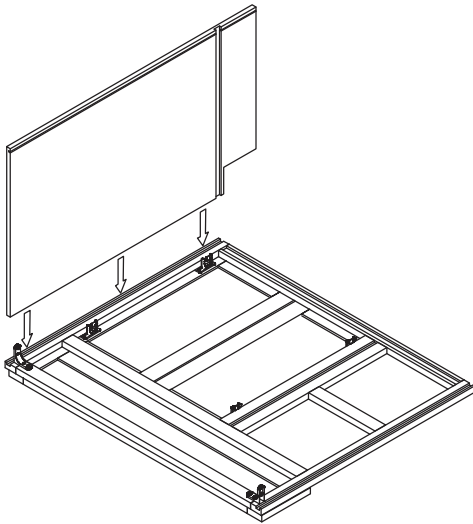


STEP 2

SCREW
DRIVER



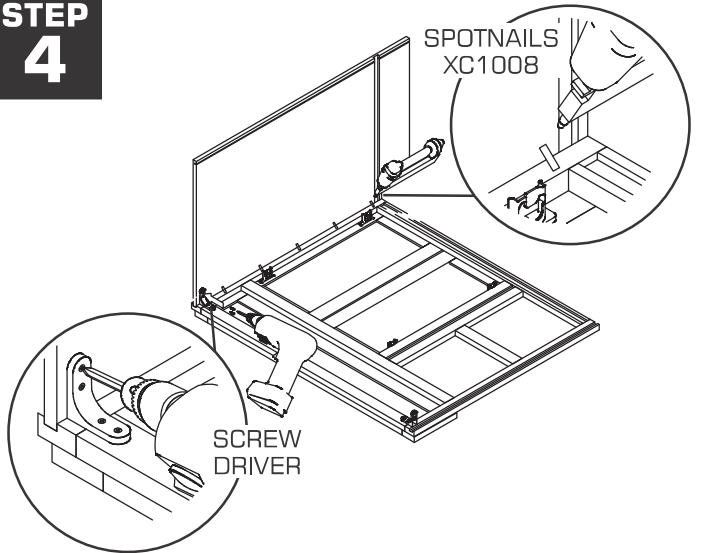
STEP 3



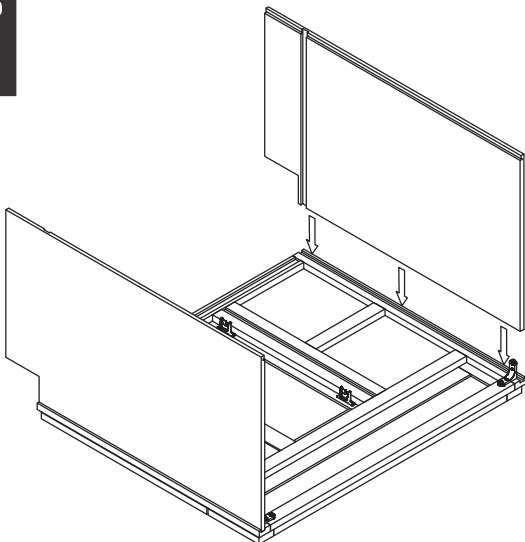
STEP 4

SPOTNAILS
XC1008

SCREW
DRIVER

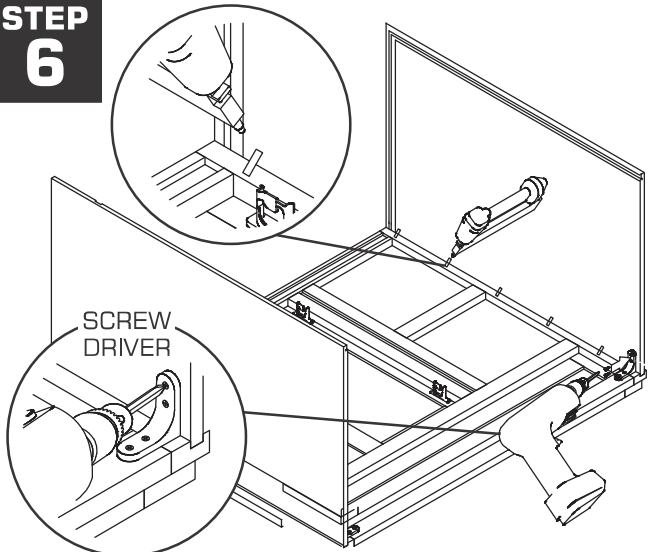


STEP 5

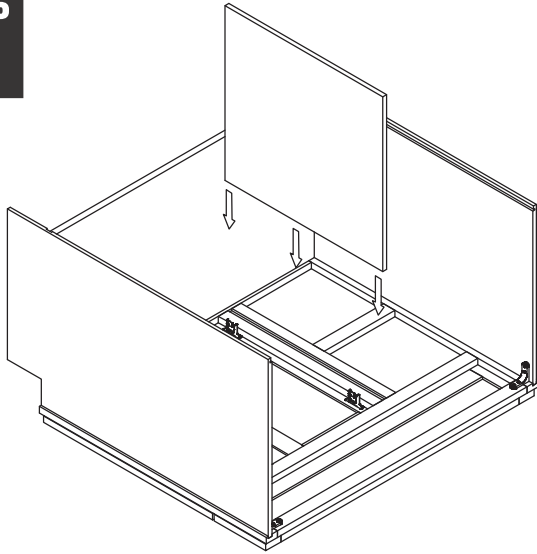


STEP 6

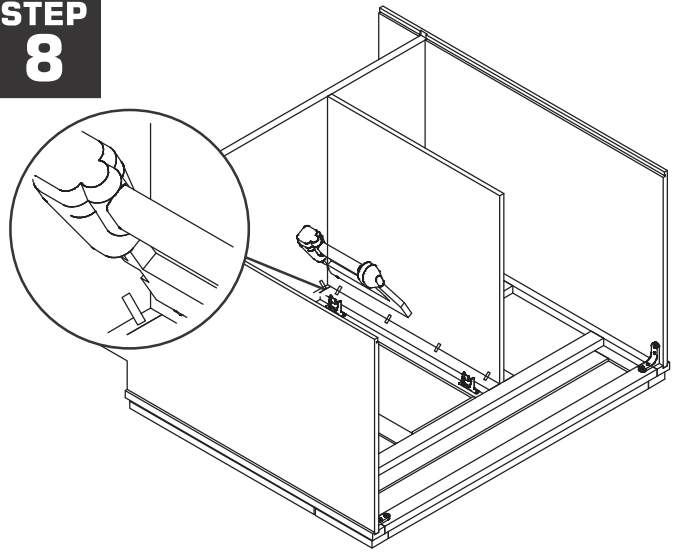
SCREW
DRIVER



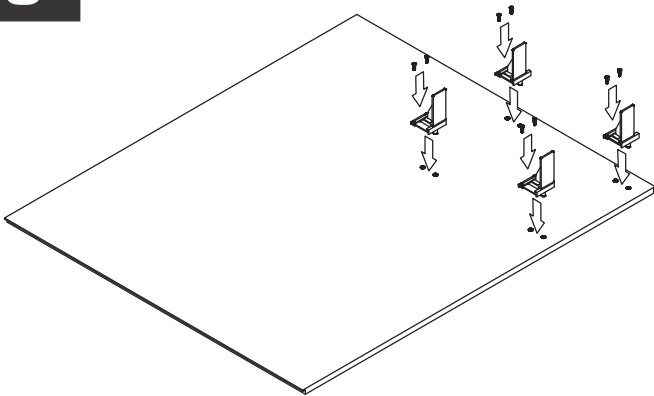
STEP
7



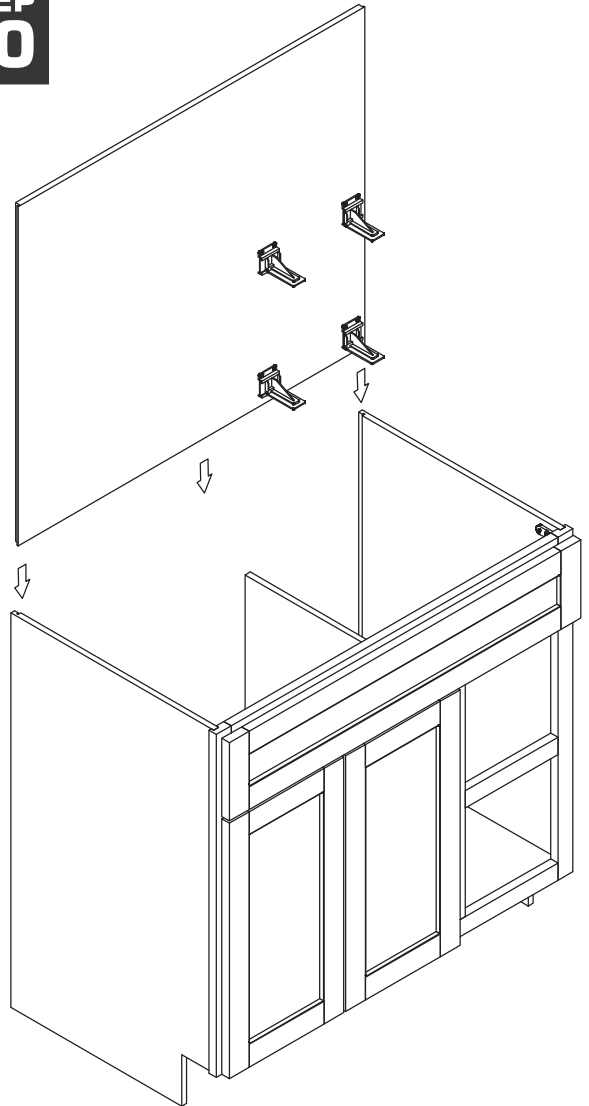
STEP
8



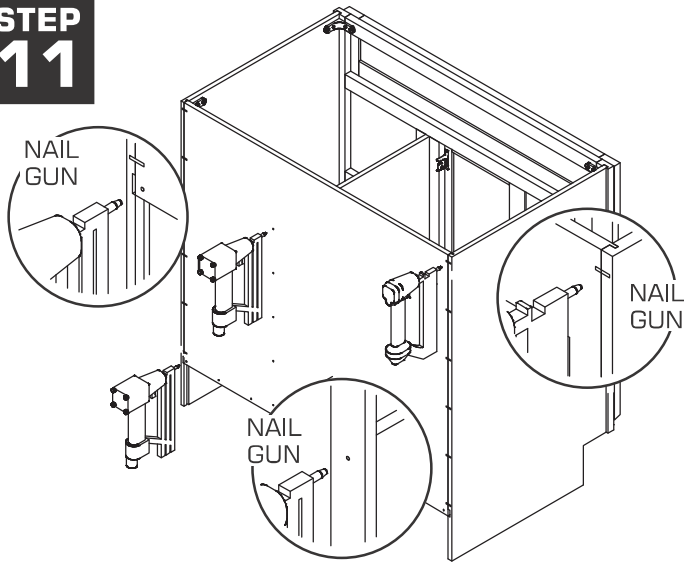
STEP
9



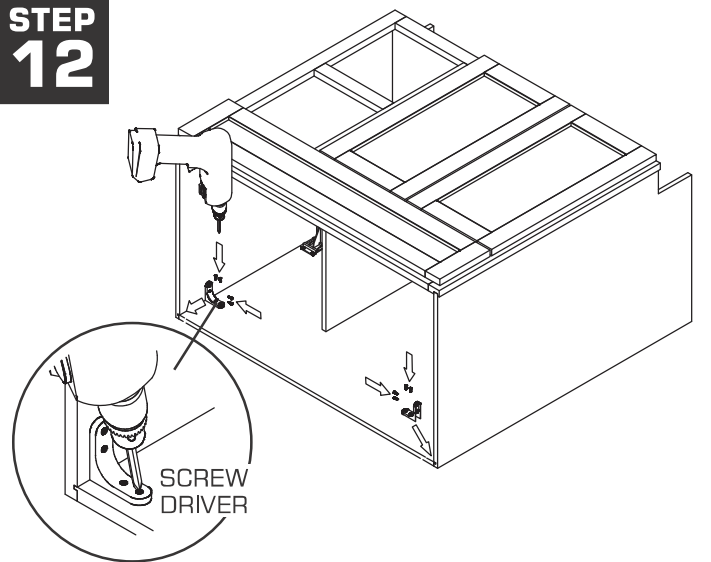
STEP
10



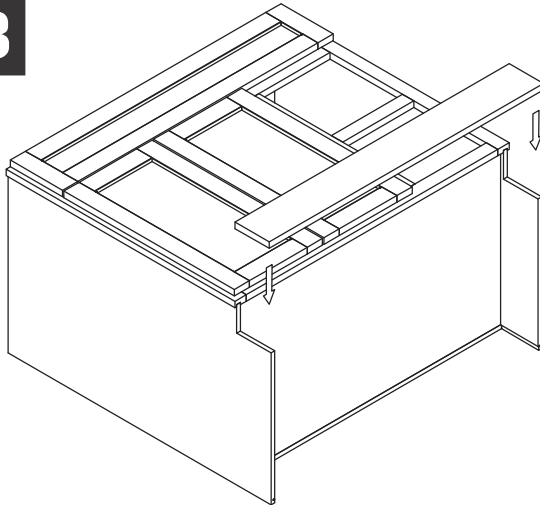
STEP 11



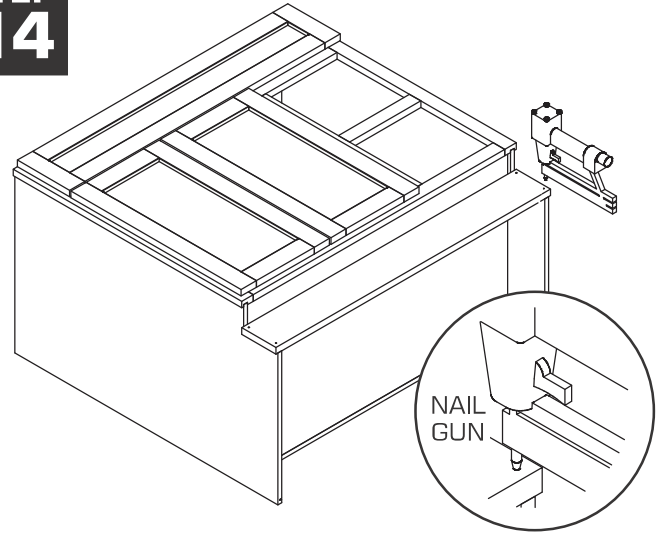
STEP 12



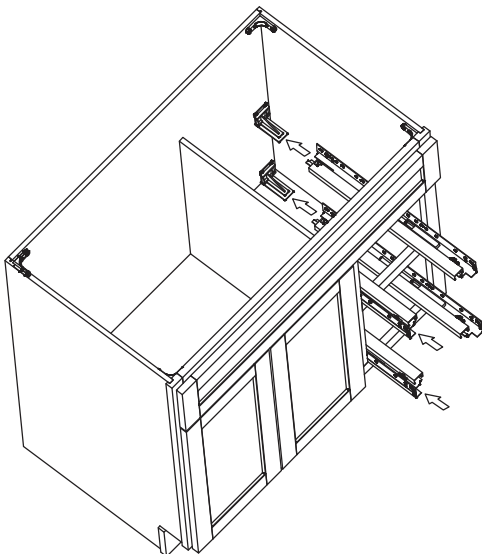
STEP 13



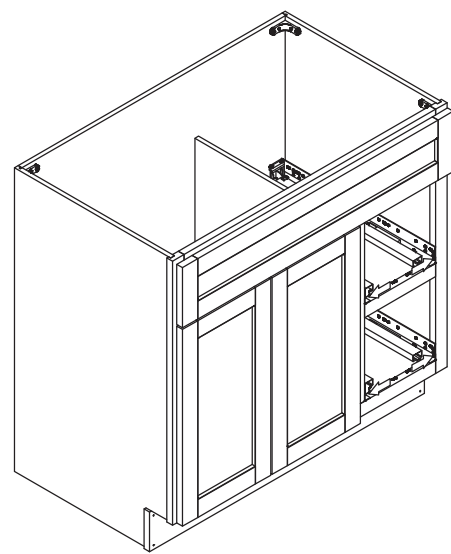
STEP 14



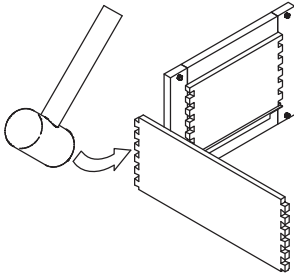
STEP 15



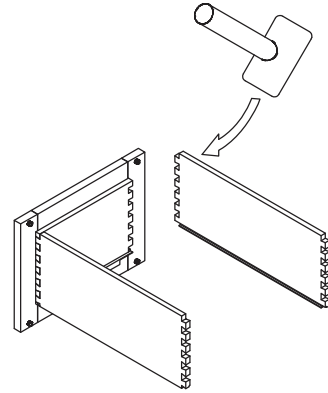
STEP 16



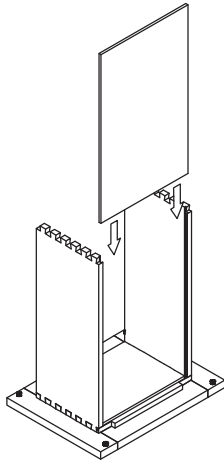
**STEP
17**



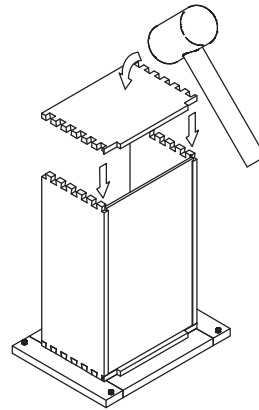
**STEP
18**



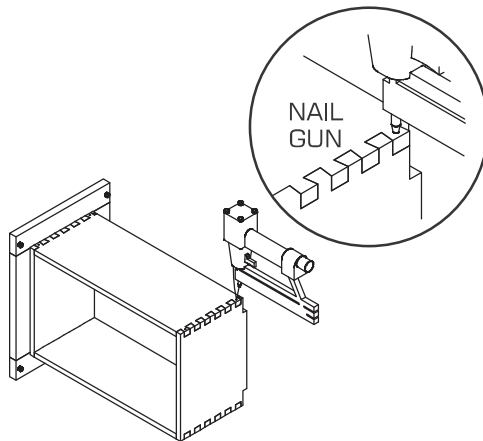
**STEP
19**



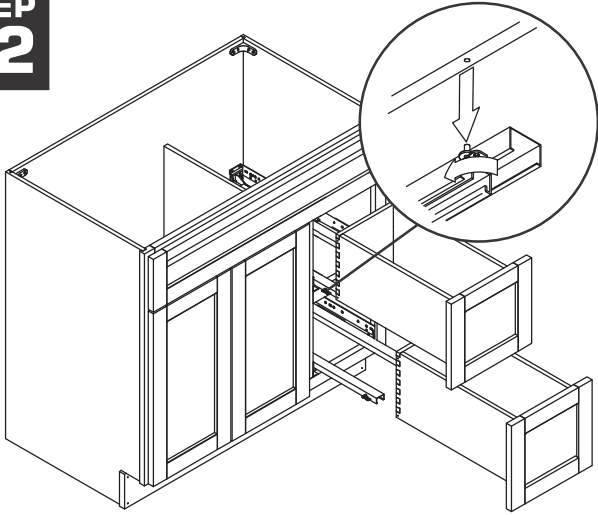
**STEP
20**



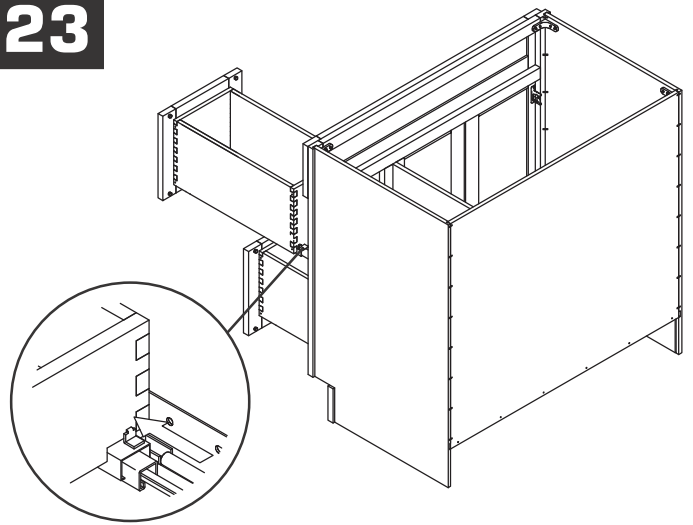
**STEP
21**



**STEP
22**



**STEP
23**



VANITY CABINET

**STEP
24**

