

## Drawer Clip Installation Instructions

This assembly instruction applies for all Kitchen Dove tail soft close drawers.

### Step by step

1.) Attach drawer clips using ½ inch counter-sinking screws provided, fully into the corner of the front end on the bottom side of the drawer box. Make sure the clips are touching the wood on the front and side of the clip. (See Figures 1 and 2)

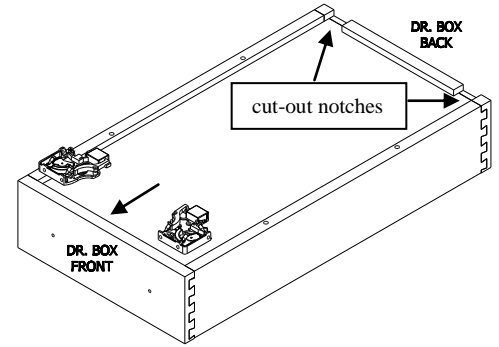


Fig. 1

2.) The screws must be installed into the angled holes in the side walls of the clips. When inserting the screws in they must be at a 45 degree angle. (See Figure 2)

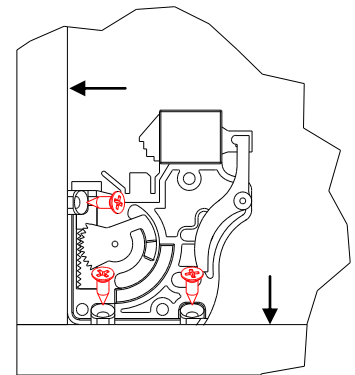


Fig. 2

3.) When placing the drawer box in the cabinet make sure the drawer glide rails are pulled slightly out of the cabinet. Align the cut-out notches on the back of the drawer box with the drawer glide rails. Slide the drawer box down the rails and into the cabinet fully, until the glides lock into the drawer box clips. (see Figures 1 and 3)

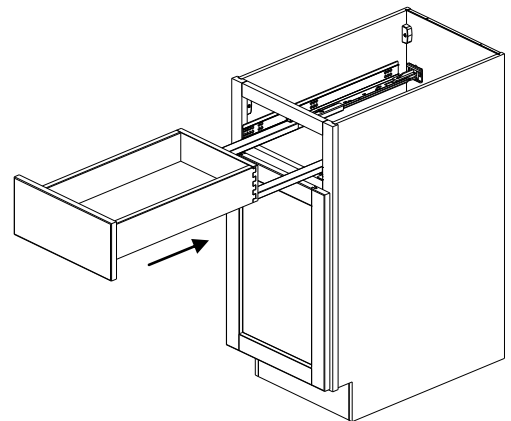


Fig. 3