

EquipMaxx<sup>®</sup>

# AQUASPRAY PRO45

ROLLING WATER TANK



*Read instruction manual before use!*

# CONTENTS

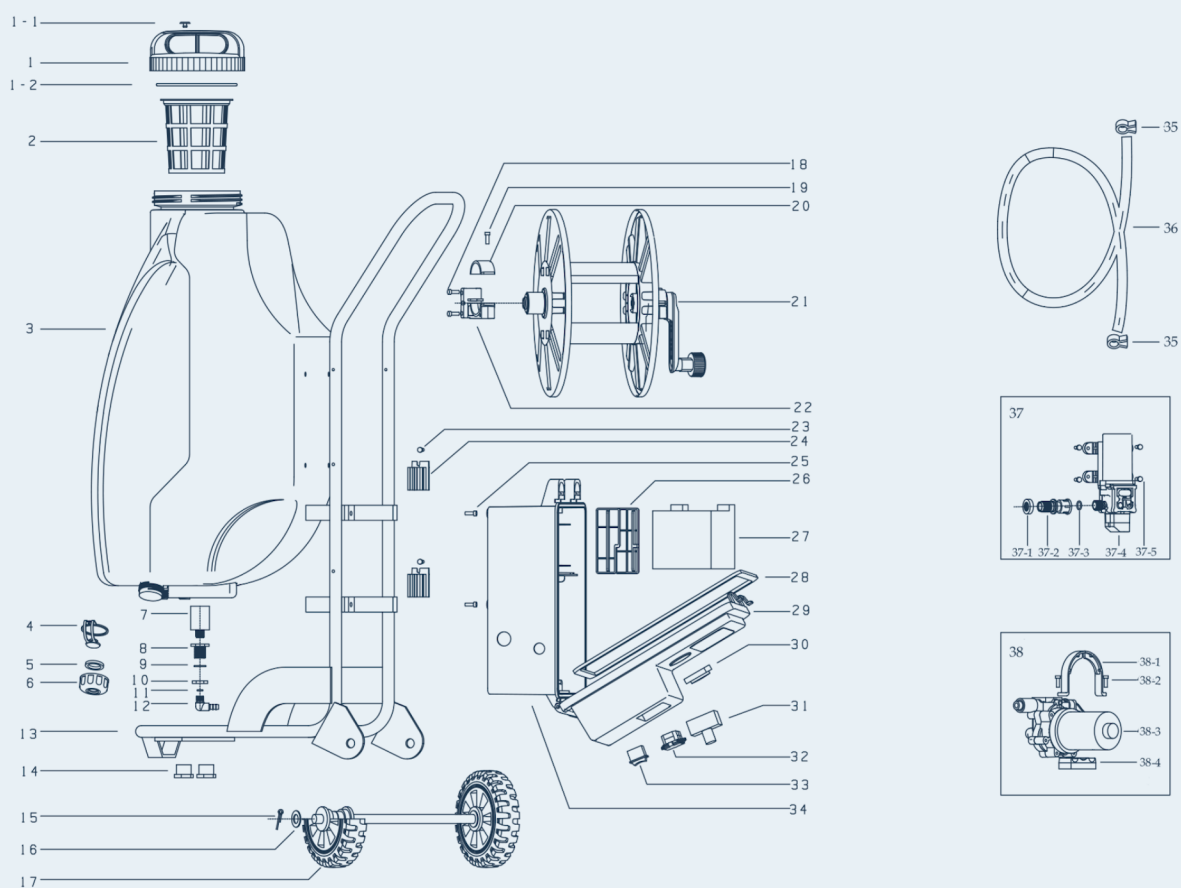
1. Pumping Tank Diagram .....	<b>2-4</b>
2. Specifications .....	<b>4</b>
3. Electrocircuit Connection Chart .....	<b>5</b>
4. Profile .....	<b>6</b>
5. Features .....	<b>6</b>
6. Usage Instructions .....	<b>7</b>
7. Safety Instructions .....	<b>8</b>
8. Troubleshooting .....	<b>9</b>
9. Long-term Storage .....	<b>10</b>
10. Warranty & Customer Service .....	<b>10</b>

Thank you for choosing our Aquaspray Pro45 Rolling Water Tank. We are continuously improving our products to ensure more convenient, efficient, and safe usage.

Make sure to read the instruction manual before using the water tank. Please keep it in a safe place for future reference. At any time you require immediate assistance, please call us at 1-800-349-9795 or send us an email to [service@equipmaxx.com](mailto:service@equipmaxx.com).

Bryan Watson  
President

# PUMPING TANK DIAGRAM



No.	NAME	QUANTITY
1	Tank cap	1
1-1	Inlet valve	1
1-2	Seal	1
2	Filter	1
3	Tank	1
4	Nut connection	1
5	Gasket (32 x 39mm)	1
6	Nut	11
7	Inlet filter	1
8	Inlet screw	1
9	O-ring (24 x 3mm)	1
10	Nut	1

# PUMPING TANK DIAGRAM (CONT'D)

No.	NAME	QUANTITY
11	O-ring (13 x 2mm)	1
12	Inlet connection	1
13	Frame	3
14	Tank fixed nut	12
15	Pin (3 x 25)	2
16	Gasket (16 x 26)	1
17	Wheel	1
18	Nut (6 x 25mm)	1
19	Nut (6 x 15mm)	1
20	Reel fixed	1
21	Booster reel	1
22	Reel fixed	1
23	Screw (6 x 12mm)	1
24	Lance bracket	1
25	Nut (6 x 16mm)	1
26	Battery spacer	1
27	Battery	1
28	Seal gasket	1
29	Battery box cover	1
30	Voltmeter	1
31	Speed control	1
32	Charger base	1
33	On-Off switch	1
34	Battery box body	4
35	Outlet hose (8 x 14 x 470mm)	2
36	Connection	12
37	Pump assembly	1
37-1	Hexagonal cap	1



# PUMPING TANK DIAGRAM (CONT'D)

No.	NAME	QUANTITY
37-2	Plastic connection	1
37-3	O-ring (17 x 2.4)	1
37-4	Head of pump	1
37-5	Nut (4 x 16)	1

## SPECIFICATIONS

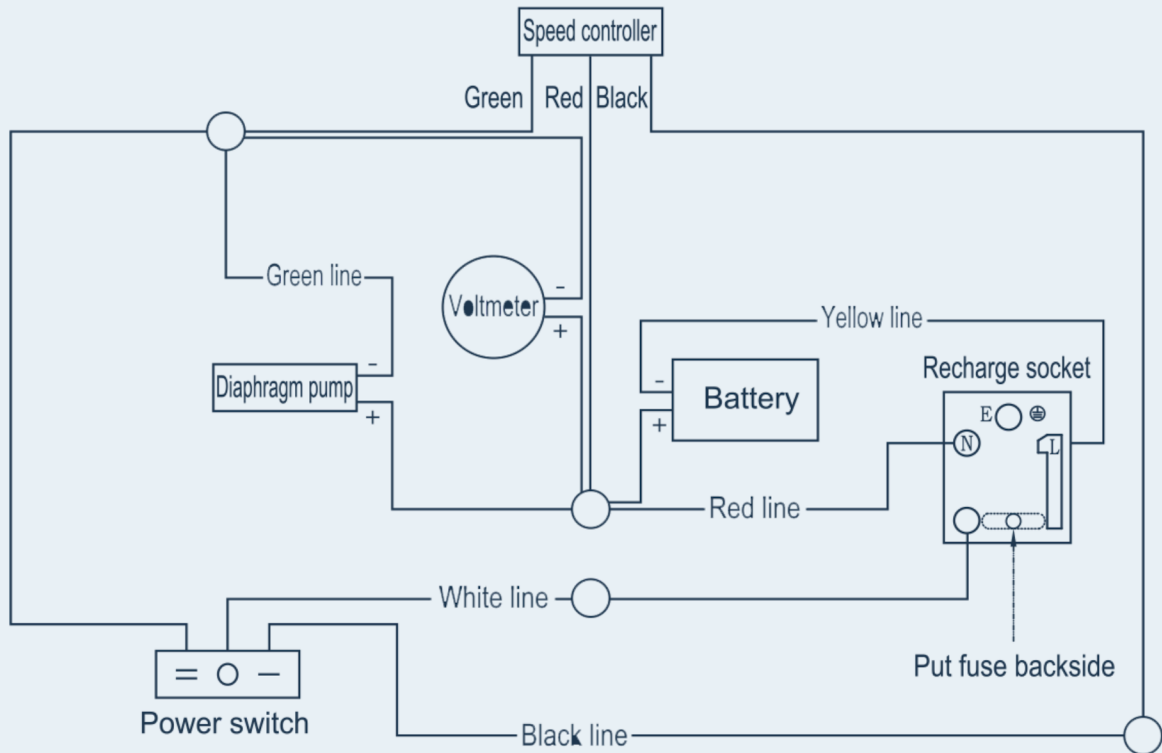
Size	25 x 15 x 36 inch.
Weight	41 lbs.
Capacity	11 gal.
Working pressure	0.20-0.40 Mpa (29-58 PSI)
Flow rate	1 Gallon (4.0L)/Min

### **IMPORTANT**

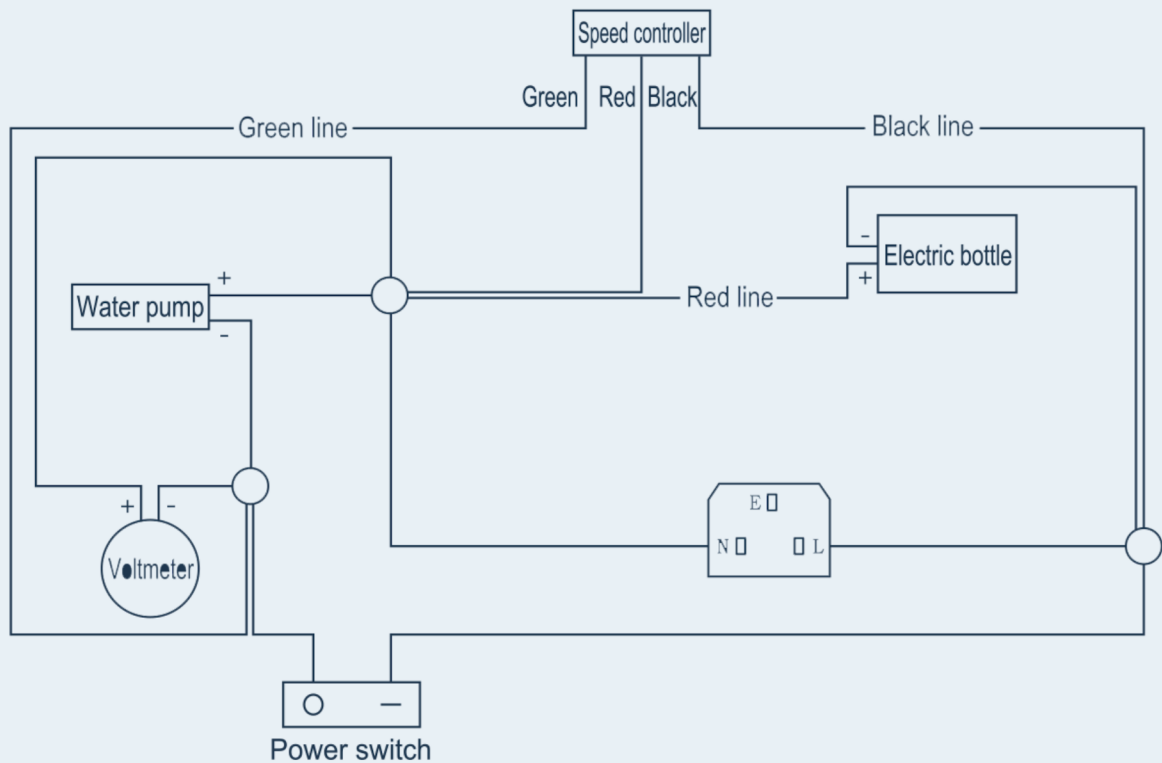
THE TANK'S MOTOR IS DESIGNED WITH A DIAPHRAGM PUMP. EXPOSURE TO, OR STORAGE IN EXTREME HEAT CAN CAUSE THE DIAPHRAGM TO JAM, MAKING THE PUMP INOPERABLE. ALWAYS STORE THE TANK IN AN AREA WITHOUT EXTREME HEAT (GREATER THAN 90F) OR COLD (LESS THAN 32F) TEMPERATURES TO MAINTAIN THE PUMP'S FUNCTIONALITY. IF THE PUMP TURNS ON BUT DOES NOT WORK, PLEASE CONTACT OUR CUSTOMER SERVICE DEPARTMENT AT 1-800-349-9795 OR [SERVICE@EQUIPMAXX.COM](mailto:SERVICE@EQUIPMAXX.COM).

# ELECTROCIRCUIT CONNECTION CHART

## Speed regulation wiring diagram (1)



## Speed regulation wiring diagram (2)



**Tip: Please match the real electric connecting draft**

# PROFILE

This pumping water tank is powered by a lithium-ion rechargeable battery and a diaphragm pump, which pressurizes the water for smooth flow. Compared to other manual pumping tanks, it can increase efficiency by 3-4 times. The tank holds 12 gallons (45 liters) of liquid and can operate up to 5 hours on a full charge. (working time may vary based on battery capacity.)

## FEATURES

- The Aquaspray Pro45 Rolling Water Tank comes with:
  - tank
  - base
  - battery
  - charger
  - power switch
  - pump
- It features a diaphragm pump, that provides high pressure water flow that can be regulated manually using a twist flow knob. This ensures an efficient and effective water flow, ideal for exterior cleaning, including window / solar panel cleaning and car washing.

### **IMPORTANT**

**THE TANK'S MOTOR IS DESIGNED WITH A DIAPHRAGM PUMP. EXPOSURE TO, OR STORAGE IN EXTREME HEAT CAN CAUSE THE DIAPHRAGM TO JAM, MAKING THE PUMP INOPERABLE. ALWAYS STORE THE TANK IN AN AREA WITHOUT EXTREME HEAT (GREATER THAN 90F) OR COLD (LESS THAN 32F) TEMPERATURES TO MAINTAIN THE PUMP'S FUNCTIONALITY. IF THE PUMP TURNS ON BUT DOES NOT WORK, PLEASE CONTACT OUR CUSTOMER SERVICE DEPARTMENT AT 1-800-349-9795 OR SERVICE@EQUIPMAXX.COM.**

# USAGE INSTRUCTIONS

## STEP ONE

Before each use, ensure that the charger plug is inserted into the charger base connector and connected to a 120V power source. Charge the battery for approximately 3 hours, or until the green light indicates a full charge. When not in use, place the charger base into the protective cover, particularly if it becomes damp.

## STEP THREE

Do not use water-insoluble substances as they do not dissolve and may remain in the tank. These solids can settle at the bottom over time, potentially causing blockages and affecting the device's functionality.

## STEP FIVE

The power switch is located on the left side and has two settings: "—" for spray and "0" for off.

## STEP SEVEN

To stop the machine, switch the power to the off position "0".

## STEP TWO

Always use the filter when adding water to the tank. This prevents impurities from clogging the filter, pipe, and cylinder, which could hinder the pumping tank's normal operation. After filling the tank, securely fasten the cap to avoid any spills during use.

## STEP FOUR

In case of any spills clean them up immediately. If the battery or any electrical component come into contact with water, remove and dry them thoroughly with a dry cloth.

## STEP SIX

To start the machine, turn the power switch to the spray position "—". This will activate the motor and begin the operation.

## STEP EIGHT

Recharge the battery after use to maintain its longevity.

# SAFETY INSTRUCTIONS

Improper use of this tank can be dangerous. You must read and adhere to the safety precautions to guarantee your safety and that of others.

## **TURN OFF & UNPLUG**

Always turn off the motor and unplug it when not in use. Do not leave the running tank unattended.

## **PROHIBITED ACTIONS**

Do NOT attempt to disassemble, modify, or reassemble the motor or pump.

## **STORAGE TIPS**

Store the tank in a cool, dry place, away from direct sunlight.

## **CHARGING TIME**

The motor must be charged for 3 to 4 hours before each use.

## **PROPER MAINTENANCE**

After use, completely drain and empty the tank. Ensure the tank is thoroughly cleaned. For external cleaning, gently wipe with a damp cloth.

## **SPECIALIZED SOLUTIONS**

Do not use strong acids, strong alkalis, or flammable liquids in the tank. It is designed exclusively for window cleaning solutions.

# TROUBLESHOOTING

Issue	Analysis	Solution
Will not power on	<ol style="list-style-type: none"><li>1. Circuit lines may be disconnected</li><li>2. Low power</li><li>3. Broken switch</li></ol>	<ol style="list-style-type: none"><li>1. Open the battery cover and reconnect loose circuit lines</li><li>2. Charge the battery</li><li>3. Replace with new switch</li></ol>
Abnormal sound in the motor when working	Screws may have come loose	Fasten the screws with a screwdriver
Leakage in the bottom	The inlet tube or the outlet tube is either loose or broken	Fasten or replace the tube
Bad water flow	<ol style="list-style-type: none"><li>1. Filter is blocked</li><li>2. Leakage in the joints</li><li>3. Low power</li><li>4. Pump is clogged</li></ol>	<ol style="list-style-type: none"><li>1. Clean the filter</li><li>2. Fasten all connecting joints</li><li>3. Charge the battery</li><li>4. Wash the pump with clean water</li></ol>

 **IMPORTANT** 

**THE TANK'S MOTOR IS DESIGNED WITH A DIAPHRAGM PUMP. EXPOSURE TO, OR STORAGE IN EXTREME HEAT CAN CAUSE THE DIAPHRAGM TO JAM, MAKING THE PUMP INOPERABLE. ALWAYS STORE THE TANK IN AN AREA WITHOUT EXTREME HEAT (GREATER THAN 90F) OR COLD (LESS THAN 32F) TEMPERATURES TO MAINTAIN THE PUMP'S FUNCTIONALITY. IF THE PUMP TURNS ON BUT DOES NOT WORK, PLEASE CONTACT OUR CUSTOMER SERVICE DEPARTMENT AT 1-800-349-9795 OR SERVICE@EQUIPMAXX.COM.**



# LONG-TERM STORAGE



The battery must be discharged and recharged every three months.



Recommended operating temperature range: 23°F to 104°F (-5°C to 40°C).



After maintenance, store the tank in a dry and well-ventilated area.



It should be stored away from extreme heat and direct sunlight which can damage the pump diaphragm.

# WARRANTY & CUSTOMER SERVICE

The AquaSpray Pro45 Rolling Water Tank accessories and housing are warranted to be free from defects in material and workmanship for a period of **One (1) year** from the date of purchase when utilized for normal household use by the original purchaser only. This does not include the replacement of items due to wear. To initiate a warranty claim, the original purchaser must email [service@equipmaxx.com](mailto:service@equipmaxx.com) with the following information: order number, original purchase date, and description of the issue or defect. Please attach clear images or videos, if applicable, illustrating the issue or defect.

If you have any questions or concerns, feel free to call us directly at **1-800-349-9795** or send us an email at [service@equipmaxx.com](mailto:service@equipmaxx.com).