

EquipMaxx®

AQUASPRAY PRO20

ROLLING WATER TANK



Read instruction manual before use!

CONTENTS

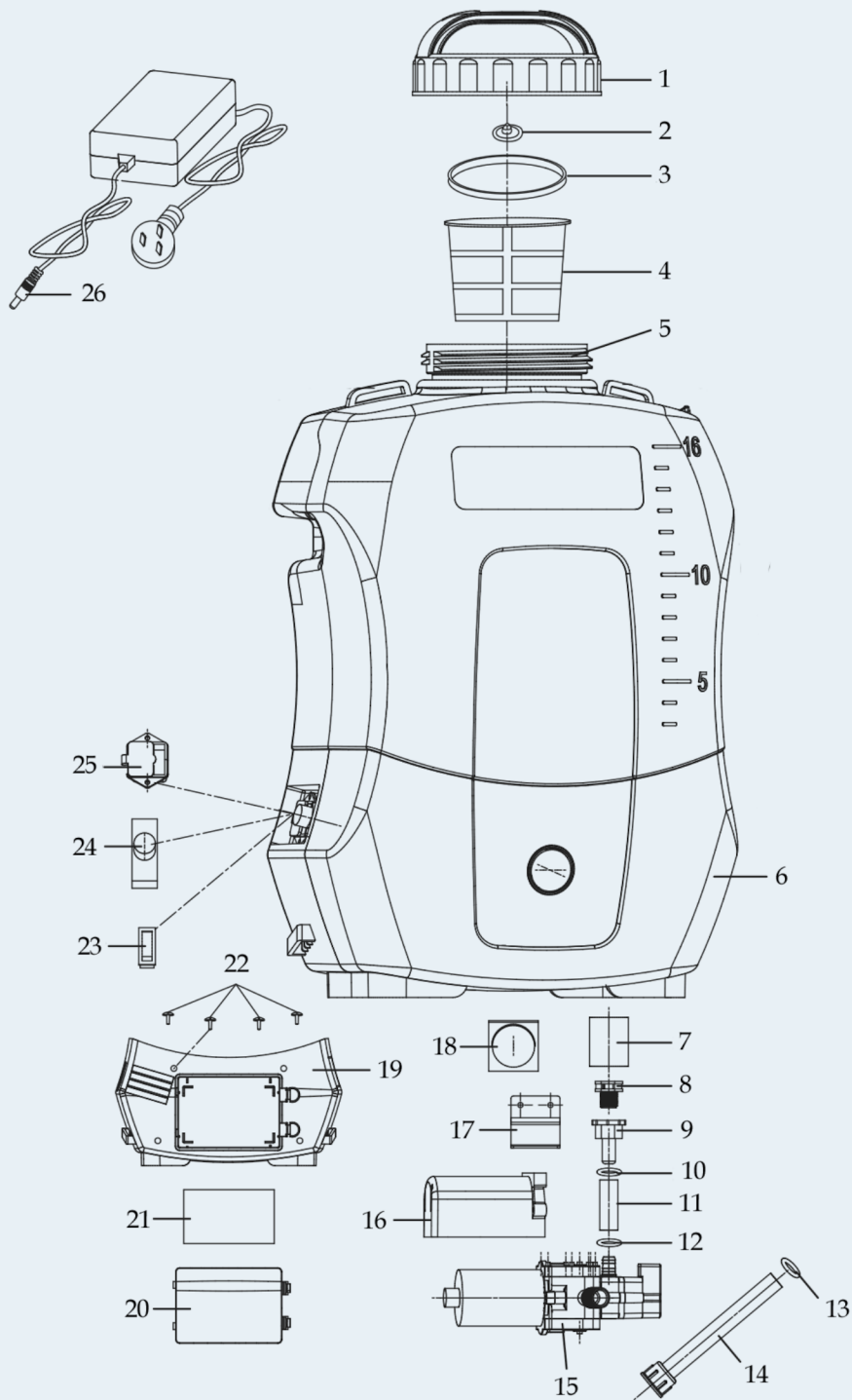
1. Water Tank Diagram	2-3
2. Electrocircuit Connection Chart	4
3. Specifications	4-5
4. Features	5
5. Usage Instructions	6
6. Safety Instructions	7
7. Troubleshooting.....	8
9. Long-term Storage	9
10. Warranty & Customer Service	9

Thank you for choosing our electric water tank. We are continuously improving our products to ensure more convenient, efficient, and safe usage. We are committed to providing you with the best products and service at all times.

Please make sure to read the instruction manual before using the water tank. Keep it in a safe place for future reference. At any time you require immediate assistance, please call us at 1-800-349-9795 or send us an email to service@equipmaxx.com.

Bryan Watson
President

WATER TANK DIAGRAM

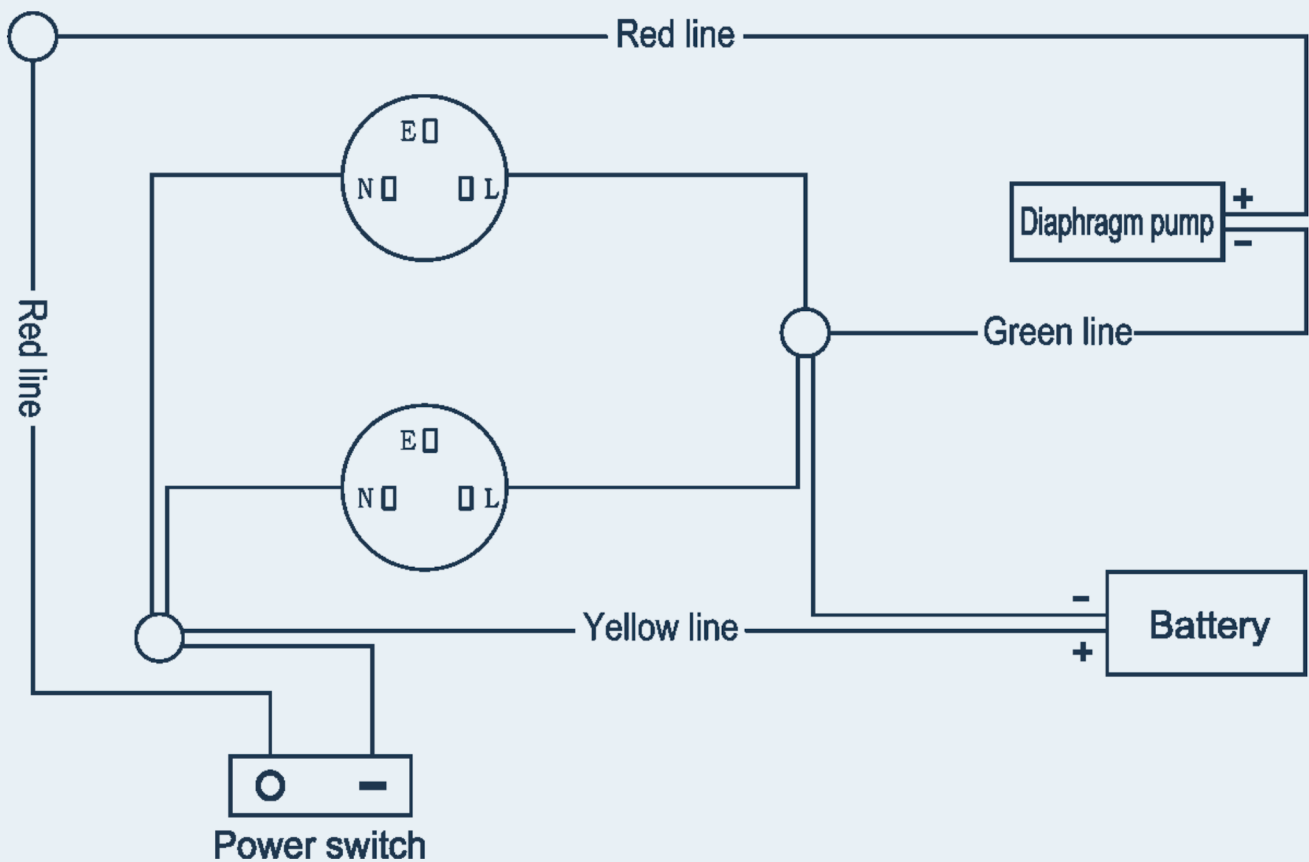


No.	NAME	QUANTITY
1	Tank cover	1
2	Inlet valve	1
3	Seal gasket	1
4	Tank filter	1

WATER TANK DIAGRAM (CONT'D)

No.	NAME	QUANTITY
5	Tank	1
6	A side bottom cover	1
7	Water inlet filter	1
8	Water inlet screw nut	1
9	Water inlet screw	1
10	Clip	1
11	Water inlet connecting hose	1
12	Clip	1
13	Outlet connection	1
14	Water outlet connecting hose	1
15	Water pump	1
16	Water pump cover	1
17	Water pump holder	1
18	Voltmeter	1
19	B side bottom cover	1
20	Battery bottom cover	1
21	Battery	1
22	Cover connecting screws	4
23	On/off switch	1
24	Speed controller	1
25	Charger socket	1
26	Charger	1

ELECTROCIRCUIT CONNECTION CHART



Tip: Please match the real electric connecting draft.

SPECIFICATIONS

Size	15 x 9 x 23 in.
Weight	13 lbs.
Capacity	5.2 gal. (20L)
Working pressure	0.20-0.40 Mpa (29-58 PSI)
Flow rate	.95gal/Min

SPECIFICATIONS (CONT'D)

The Aquaspray Pro20 Rolling Water Tank is powered by a lithium-ion rechargeable battery and diaphragm pump, which pressurizes the water flow. The tank holds 5.2 gallons (20 liters) of water and can operate for up to 8 hours on a full charge. (working time may vary based on battery capacity.)

IMPORTANT

THE TANK'S MOTOR IS DESIGNED WITH A DIAPHRAGM PUMP. EXPOSURE TO, OR STORAGE IN EXTREME HEAT CAN CAUSE THE DIAPHRAGM TO JAM, MAKING THE PUMP INOPERABLE. ALWAYS STORE THE TANK IN AN AREA WITHOUT EXTREME HEAT (GREATER THAN 90F) OR COLD (LESS THAN 32F) TEMPERATURES TO MAINTAIN THE PUMP'S FUNCTIONALITY. IF THE PUMP TURNS ON BUT DOES NOT WORK, PLEASE CONTACT OUR CUSTOMER SERVICE DEPARTMENT AT 1-800-349-9795 OR SERVICE@EQUIPMAXX.COM.

FEATURES

- The Aquaspray Pro20 comes with:
 - tank
 - base
 - battery
 - charger
 - power switch
 - pump
- The tank features a diaphragm pump, providing high pressure capability, and long-lasting durability. This ensures an efficient and effective water flow, ideal for exterior cleaning, including window / solar panel cleaning and car washing.

USAGE INSTRUCTIONS

STEP ONE

Before each use, ensure that the charger plug is inserted into the charger base connector and connected to a 120V power source. Charge the battery for approximately 3 hours, or until the green light indicates a full charge. When not in use, place the charger base into the protective cover, particularly if it becomes damp.

STEP THREE

Do not use water-insoluble substances as they do not dissolve and may remain in the tank. These solids can settle at the bottom over time, potentially causing blockages and affecting the device's functionality.

STEP FIVE

The power switch is located on the left side and has two settings: "—" for spray and "0" for off.

STEP SEVEN

To stop the machine, switch the power to the off position "0".

STEP TWO

Always use the filter when adding water to the tank. This prevents impurities from clogging the filter, pipe, and cylinder, which could hinder the pumping tank's normal operation. After filling the tank, securely fasten the cap to avoid any spills during use.

STEP FOUR

In case of any spills clean them up immediately. If the battery or any electrical component come into contact with water, remove and dry them thoroughly with a dry cloth.

STEP SIX

To start the machine, turn the power switch to the spray position "—". This will activate the motor and begin the operation.

STEP EIGHT

Recharge the battery after use to maintain its longevity.

SAFETY INSTRUCTIONS

Improper use of this tank can be dangerous. You must read and adhere to the safety precautions to guarantee your safety and that of others.

TURN OFF & UNPLUG

Always turn off the motor and unplug it when not in use. Do not leave the running tank unattended.

PROHIBITED ACTIONS

Do NOT attempt to disassemble, modify, or reassemble the motor or pump.

STORAGE TIPS

Store the tank in a cool, dry place, away from heat and direct sunlight.

CHARGING TIME

The motor must be charged for 3 to 4 hours before each use.

PROPER MAINTENANCE

After use, completely drain and empty the tank. Ensure the tank is thoroughly cleaned. For external cleaning, gently wipe with a damp cloth.

SPECIALIZED SOLUTIONS

Do not use strong acids, strong alkalis, or flammable liquids in the tank. It is designed exclusively for window cleaning solutions.

TROUBLESHOOTING

Problem	Analysis	Maintenance
Does not start	<ol style="list-style-type: none"> 1. Connects lines cut out 2. Low power 3. Broken switch 	<ol style="list-style-type: none"> 1. Ensure battery is connected 2. Charge the battery 3. Change the switch
Abnormal sound in the motor when working	Screws may have come loose	Fasten screws of pump
Leakage in the bottom	The inlet or the outlet tube is unplugged or broken	Fasten or replace the tube
Poor water flow	<ol style="list-style-type: none"> 1. Filter is jammed 2. Leak in the hose 3. Power low 4. Pump is clogged 	<ol style="list-style-type: none"> 1. Clean the filter 5. Repair leak 6. Charge the battery 7. Clean the pump

IMPORTANT

THE TANK'S MOTOR IS DESIGNED WITH A DIAPHRAGM PUMP. EXPOSURE TO, OR STORAGE IN EXTREME HEAT CAN CAUSE THE DIAPHRAGM TO JAM, MAKING THE PUMP INOPERABLE. ALWAYS STORE THE TANK IN AN AREA WITHOUT EXTREME HEAT (GREATER THAN 90F) OR COLD (LESS THAN 32F) TEMPERATURES TO MAINTAIN THE PUMP'S FUNCTIONALITY. IF THE PUMP TURNS ON BUT DOES NOT WORK, PLEASE CONTACT OUR CUSTOMER SERVICE DEPARTMENT AT 1-800-349-9795 OR SERVICE@EQUIPMAXX.COM.

LONG-TERM STORAGE



The battery must be discharged and recharged every three months.



Recommended operating temperature range: 23°F to 104°F (-5°C to 40°C).



After maintenance, store the tank in a dry and well-ventilated area.



It should be stored away from extreme heat and direct sunlight which can damage the pump diaphragm.

WARRANTY & CUSTOMER SERVICE

The AquaSpray Pro20 Rolling Water Tank accessories and housing are warranted to be free from defects in material and workmanship for a period of **One (1) year** from the date of purchase when utilized for normal household use by the original purchaser only. This does not include the replacement of items due to wear. To initiate a warranty claim, the original purchaser must email service@equipmaxx.com with the following information: order number, original purchase date, and description of the issue or defect. Please attach clear images or videos, if applicable, illustrating the issue or defect.

If you have any questions or concerns, feel free to call us directly at **1-800-349-9795** or send us an email at service@equipmaxx.com.