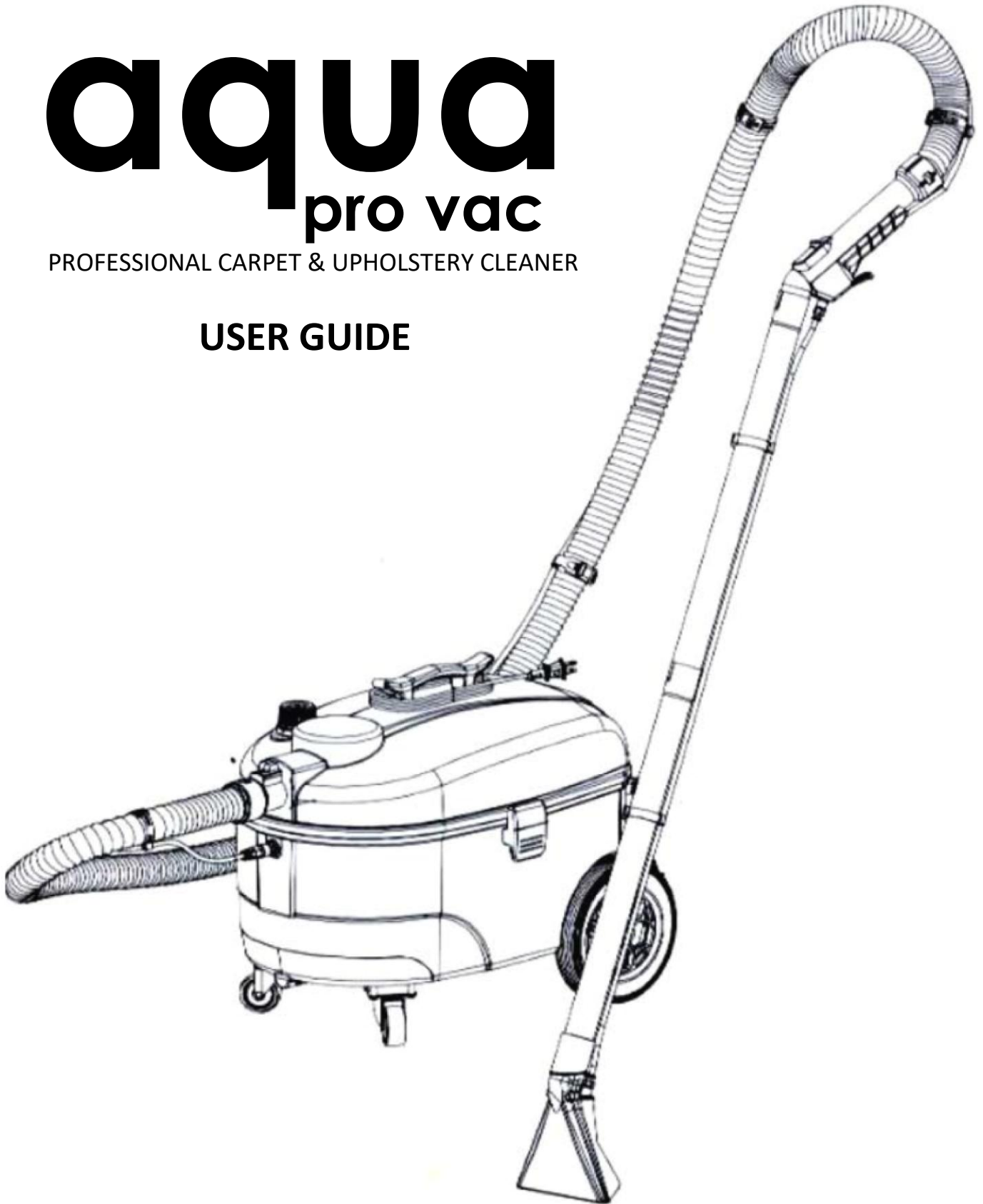


aqua pro vac

PROFESSIONAL CARPET & UPHOLSTERY CLEANER

USER GUIDE



MAXXUS Industries

1-650-292-4445 - service@aquaprovac.com - www.aquaprovac.com

Contents

<i>Page</i>	<i>Section</i>
3	<i>Important Safety Instructions</i>
4	<i>Machine Parts</i>
5	<i>Attachment Parts</i>
6	<i>How to use this guide</i>
7	<i>Machine Set-Up</i>
8	<i>Operating the Machine</i>
9	<i>Cleaning Tips</i>
10	<i>Maintenance & Care</i>
11	<i>Troubleshooting</i>
11	<i>Specifications</i>

Thanks for buying the Aqua Pro Vac

We're glad you purchased our best-selling carpet and upholstery cleaner. Everything we know about carpet and upholstery care went into the design and construction of this complete cleaning system.

We stand behind the Aqua Pro Vac with a knowledgeable and dedicated Consumer Service team, so if you ever have a question or problem, you'll receive fast, considerate assistance. Your Aqua Pro Vac is well made, and we back it with a limited one-year warranty.

We look forward to hearing about your experience with our products and if at any time you require anything from us, please call us at **1-650-292-4445** or email at service@aquaprovac.com

Thanks again, from all of us at Maxxus Industries

Sincerely,



Bryan Watson
CEO, Maxxus Industries

Important Safety Instructions

When using any electrical appliance, basic precautions should be observed, including the following:

Read all instructions before using your Aqua Pro Vac
WARNING: to reduce the risk of fire, electric shock, or injury:

- Do not immerse in water.
- Always connect to a properly grounded outlet.
- Unplug from outlet when not in use and before Conducting maintenance or troubleshooting.
- Do not leave machine when it is plugged in.
- Do not service machine when it is plugged in.
- Do not use with damaged cord or plug.
- Do not pull or carry by cord, use cord as a handle, close door on cord, pull cord around sharp corners or edges, run appliance over cord, or expose cord to heated surfaces.
- Unplug by grasping the plug, not the cord.
- Do not handle plug or appliance with wet hands.
- Do not put any object into appliance openings, use with blocked opening, or restrict air flow.
- Do not expose hair, loose clothing, fingers or body parts to openings or moving parts.
- Do not pick up flammable or combustible materials (lighter fluid, gasoline, kerosene, etc.) or use in the presence of explosive liquids or vapor.
- Do not use inside an automobile that is running
- Do not use appliance in an enclosed space filled with vapors given off by oil base paint, paint thinner, some moth proofing substances, flammable dust, or other explosive or toxic vapors.
- Do not pick up toxic material (chlorine bleach, ammonia, drain cleaner, gasoline, etc.).
- Do not modify the 3-prong grounded plug.
- Do not allow to be used as a toy.
- Do not use for any purpose other than described in this User's guide.
- Use only manufacturer's recommended attachments.
- Use only low foam cleaning solutions or those recommended for use in this appliance to prevent internal component damage. See the cleaning fluid section of this guide.
- Keep all openings free of dust, lint, hair, etc.
- Do not point attachment nozzle at people or animals
- Keep appliance on a level surface.
- turn off all controls before unplugging.

- Unplug before attaching hoses
- Be extra careful when cleaning stairs.
- Close attention is necessary when used by or near children.

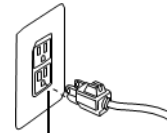
■ **WARNING:** Should water emit from the machine exhaust, switch off immediately and refer to instructions for using the machine.

■ **WARNING:** the power cord on this product contains lead, a chemical known to the State of California to cause birth defects or other reproductive harm. **WASH HANDS AFTER HANDLING.**

SAVE THESE INSTRUCTIONS.

GROUNDING INSTRUCTIONS

This appliance must be connected to a grounded wiring system. If it should malfunction or break down, grounding provides a safe path of least resistance for electrical current, reducing the risk of electrical shock. The cord for this appliance has an equipment-grounding conductor and a grounding plug. It must only be plugged into an outlet that is properly installed and grounded in accordance with all local codes and ordinances.



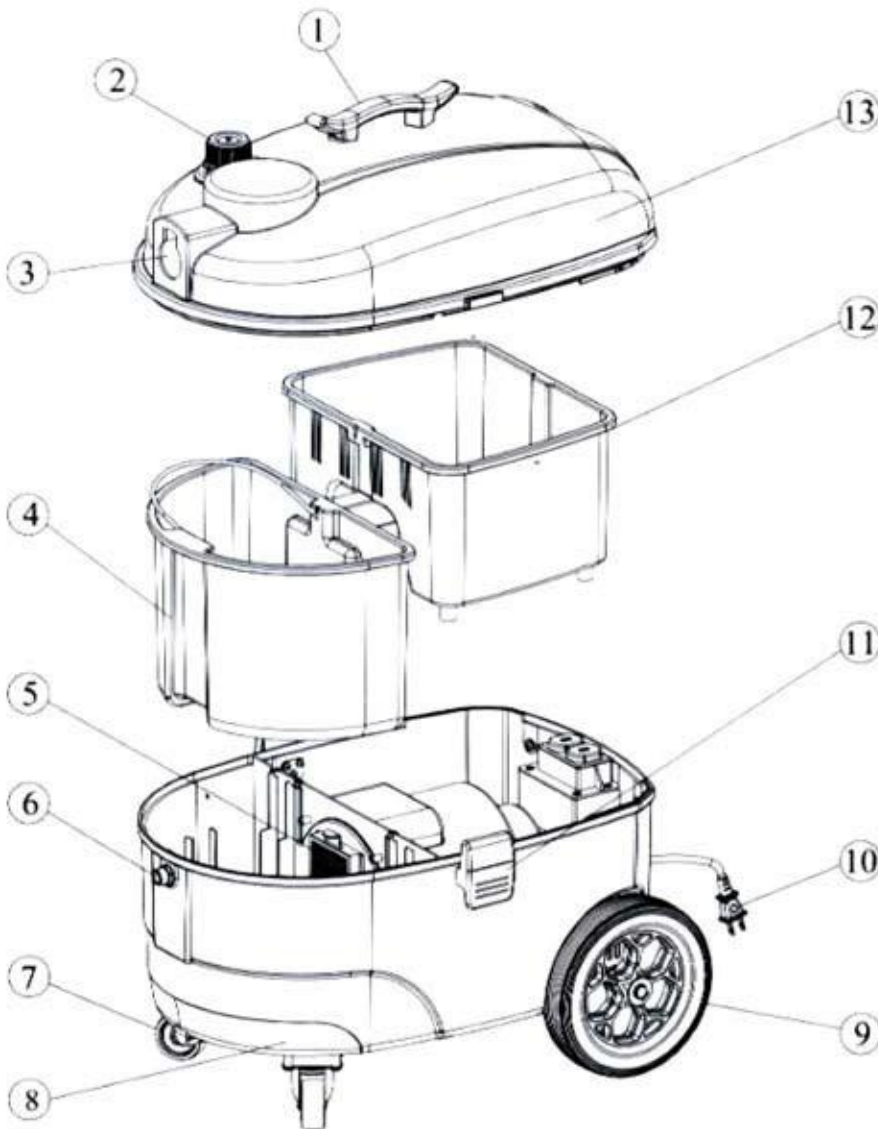
Grounded
Outlets

Grounding Pin



WARNING: Improper connection of the equipment-grounding conductor can result in a risk of electrical shock. Check with a qualified electrician or service person if you aren't sure if the outlet is properly grounded. **DO NOT MODIFY THE PLUG.** If it will not fit the outlet, have a proper outlet installed by a qualified electrician. This appliance is designed for use on a nominal 120-volt circuit, and has a grounding attachment plug that looks like the plug in the drawing above. Make certain that the appliance is connected to an outlet having the same configuration as the plug. No plug adapter should be used with this appliance.

Machine Parts



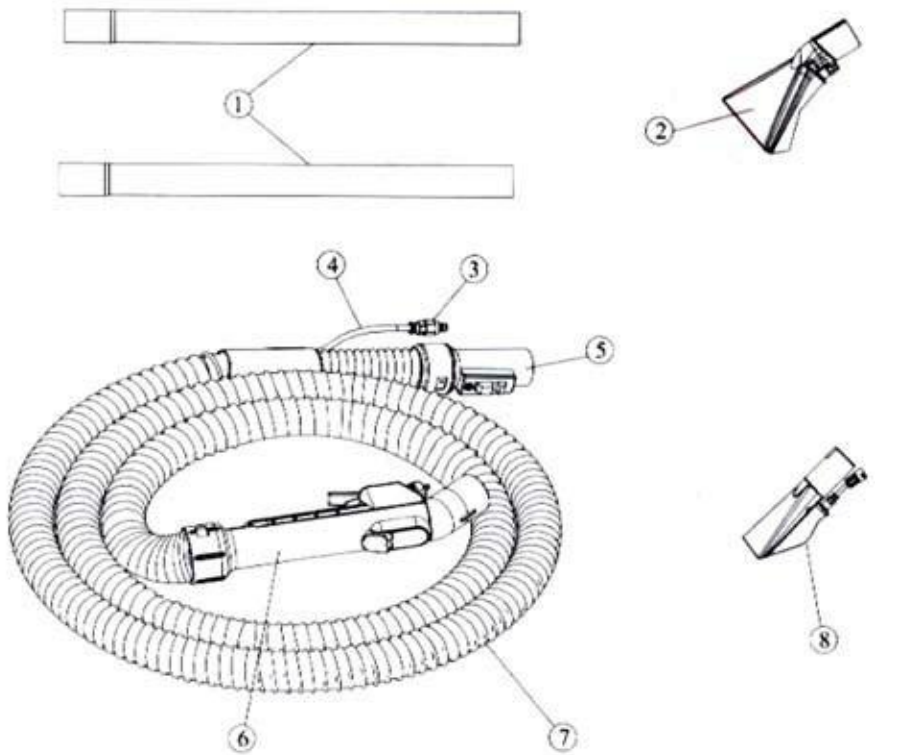
Machine Part Names

1. Handle
2. Defoam Tank
3. Hose Inlet
4. Waste Water Tank
5. Filter
6. Quick Joint (female)
7. Front Wheel
8. Body Tank
9. Rear Wheel
10. Power Cable
11. Clip
12. Clean Water Tank
13. Body Cover

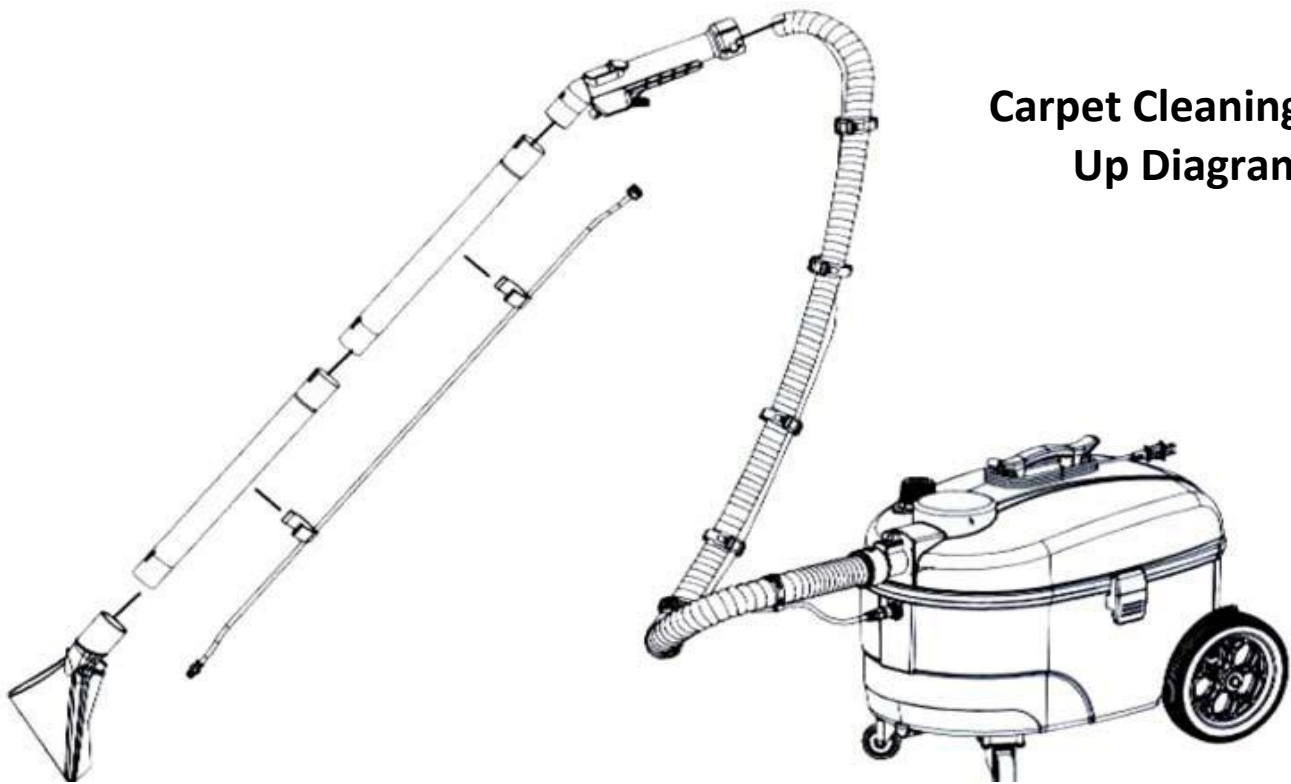
Attachment Parts

Attachment Names

1. Extension Wand
2. Floor Tool
3. Quick Joint (male)
4. Solution Tube
5. Connector
6. Bend Connector
7. Hose
8. Upholstery Tool



Carpet Cleaning Set-Up Diagram



How to use this guide

This user's guide has been designed to help you get the utmost satisfaction from your Aqua Pro Vac. You'll find assembly and operating instructions, safety precautions, maintenance, and troubleshooting instructions. Please read this user's guide thoroughly before assembling your product.

Pay particular attention to the product diagram, assembly instructions, and part names. Locate and organize all parts before assembly. Familiarize yourself with the parts and where they go. Following this user's guide will greatly enhance your ability to get the most performance from your Aqua Pro Vac for many years.

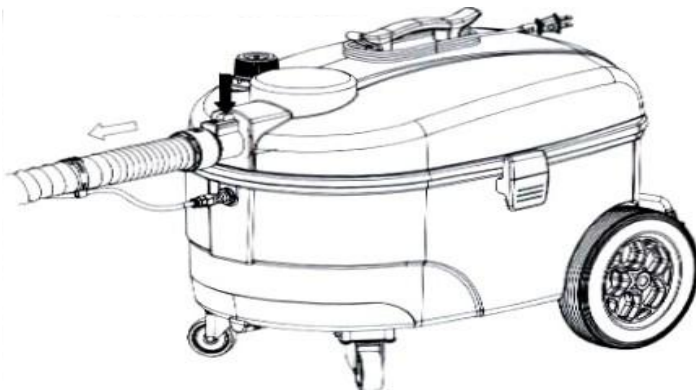


WARNING: Do not plug in your cleaner until you have completely assembled it per the following instructions and are familiar with all instructions and operating procedures.

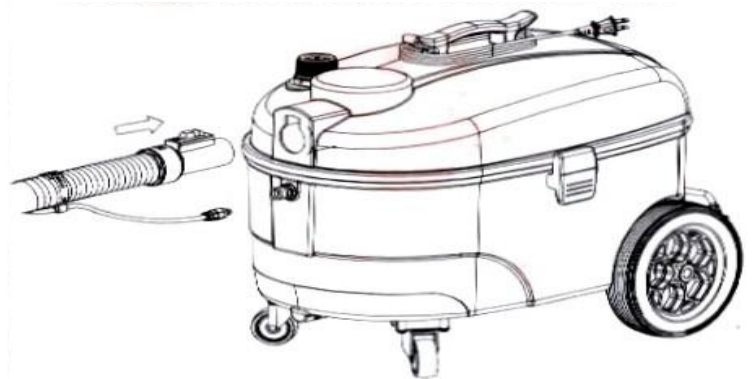
Machine Set-up

- Before Using the Aqua Pro Vac
- Connect the flexible vacuum hose and connector (pg. 5 part 5 & 7) by depressing the locking mechanism on the vacuum hose inlet (pg. 4 part 3) and inserting it into the hose inlet (pg. 4 part 3) main unit. You will hear a click as it locks in place.
- Connect the high pressure solution tube (pg. 5 part 4) into the solution outlet (pg. 4, part 6) on the machine. (See Diagram below).

Hose Locking Mechanism

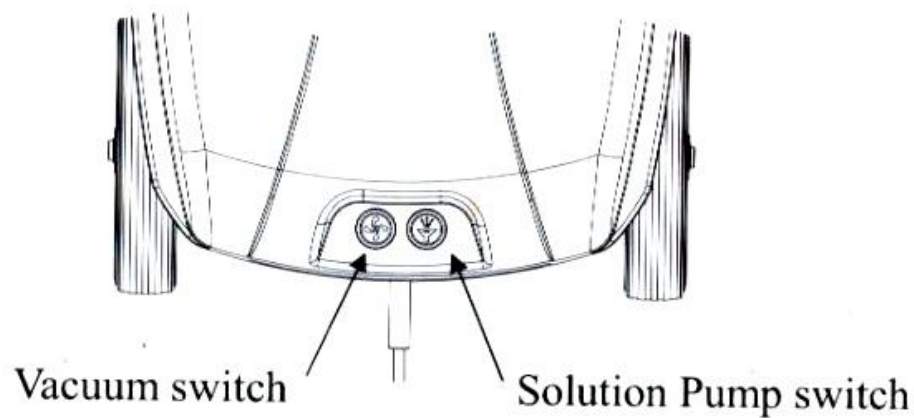


Insert Vacuum Hose & Solution Tube



- For **carpet cleaning**, attach the floor tool (pg. 5 part 2) to the metal extension wand pipes (pg. 5, part 1), then affix the floor tool fitting to the bend connector (pg. 5 part 6) and then connect the solution tube quick joint (see Page 5 Diagram). For **upholstery cleaning**, fit the smaller handheld upholstery tool (pg. 5 part 8) directly to the bend connector (Pg. 5 part 6)
- Remove the lid by pulling up to release the side clips (pg. 4 part 11)
- Make sure both tanks are clean and free from debris, pet hair, etc.
- Remove clean water tank (pg. 4 part 12) from the machine; Follow the instructions on the cleaning detergent for the correct dilution ratio of warm water to detergent. Lightly stir.
 - *Optional: if required fill the defoam tank (pg. 4, part 2) with appropriate defoamer solution.
- Replace lid and fasten side clips

Operating the Machine



- Plug the unit into a 120 volt electrical outlet (grounded)
- Ensure the slider on top of the bend connector (pg. 5, part 6) is in the closed position.
- Switch on the unit by pressing both the yellow vacuum switch and solution pump switch on the rear of the main unit. (*see diagram above*)
- Begin cleaning by squeezing the trigger (*see diagram below*) to spray solution onto the upholstery or carpet. Move the floor or upholstery tool back and forth evenly maintaining the pressure of the tool on the surface to be cleaned.
NOTE: Ensure that the tool head remains flat against the carpet or upholstery for maximum suction.
- To change water, it is best to remove the hose and coupling before opening unit lid.



Quick Clean: To quick clean depress both yellow buttons on the back of the machine to deliver the cleaning solution and vacuum it up immediately. This is best for light jobs.

Deep clean: Dry vacuum the entire area to remove debris. Press the solution switch and wet the entire area to be cleaned and let sit. Then press the vacuum switch to vacuum up the moisture.

Cleaning Tips

To dry the surface being cleaned more thoroughly, complete the cleaning with a second 'pass' with the vacuum (and no spray) Never saturate the textile being cleaned while spraying.

NEVER let the waste water tank overflow as it will damage the motor. (This can only occur if the water tank is refilled **WITHOUT** emptying the waste tank.)

CLEANING UPHOLESTRY & CARPETS

- Color fastness: Always test the carpet or upholstery on a small inconspicuous area before carrying out a full clean. If the test area shows signs of leaching, The dyes or pigments may not be color fast and the material should not be wet cleaned
- Heavily soiled areas can be cleaned more effectively if first the spot is cleaned with concentrated cleaning solution.
- The time taken to clean will depend on the thickness of the carpet and the degree of dirt on the area to be cleaned

CLEANING STAIRS

Use the small upholstery tool (pg. 5 part 8) for cleaning instead of the floor wand (pg. 5 part 2) assembly. When cleaning on stairs, take great care to ensure that the machine is stable and cannot tip over, possibly resulting in injury.

DRAINING & CLEANING

- When you have finished cleaning, hold the spray nozzle over the removable waste water tank and squeeze the spray trigger until the remaining solution has been released with the pump turned off. The spray hose can now be disconnected.
- Now the vacuum hose can be disconnected.
- Empty the waste water tank and rinse clean.
- Empty the solution water tank and rinse clean.

STORAGE

- Always unplug, empty, wipe down, and dry the machine after use.
- Wrap the electrical cord around the handle of the machine.
- Store in a dry indoor area only.

MAINTENANCE & SERVICING OF THE MACHINE

WARNING – Before undertaking maintenance or repairs to the machine, switch off the machine and unplug from the electrical supply. The machine requires minimal maintenance apart from the following checks by the operator.

- Power Cable – Regularly inspect the plug and power cable for damage.
- Filter – Check that the vacuum filter is clean and rinse if necessary.
- Vacuum head – Check and remove any debris, hair, or lint build up from the tool heads.
- Spray jet – Check for blockage and full spray pattern. Blow through jet to clean. Do NOT use a pin, as this could damage the jet.

IMPORTANT – ALL other servicing & repairs should only be performed by a Maxxus Industries engineer or authorized Maxxus Industries Service center. **1-650-292-4445**

CLEANING SOLUTION / DETERGENTS

Use only recommended low foam detergents to ensure the best cleaning results.

AFTER SALES SERVICE

Should you require after sales service, please contact Maxxus Industries 866-288-2782 or email service@aquaprovac.com. Repairs and servicing of our products should only be performed by trained staff. Improper repairs can cause considerable damage and invalidate your warranty.

GUARANTEE & WARRANTY

Your product is guaranteed for one year from the date of the original purchase, against manufacturer defects. Within the guarantee period, Maxxus will undertake, at our discretion, to repair or replace free of charge to the purchaser, any part found to be defective, subject to the following conditions:

CONDITIONS

1. For claims under this guarantee contact Maxxus Industries at 866-288-2782
2. Neither Maxxus nor its distributors shall be liable for any incidental or consequential loss.
3. Claims made under the terms of the guarantee must be supported by the original invoice issued at the time of sale, and the machine's serial number.
4. This guarantee does not cover any of the following:
 - Periodic maintenance and repair or replacement of parts due to normal wear and tear.
 - Damage caused by operator abuse, misuse or neglect, accident, or fitting of parts that are not genuine Maxxus parts.

- Defects as a result of using non-genuine parts, or repairs, modifications, or adjustments performed by other than a Maxxus service engineer or authorized service center.
 - Costs and risks of shipping relating directly or indirectly to the guarantee of this product.
5. This guarantee is governed by the laws in the USA.
 6. This guarantee does not affect your statutory rights, nor your rights against the supplier arising from their sales or purchase contract.

TROUBLE-SHOOTING

Problem	Reason	Solution
The spray pump and vacuum do not work	Power failure	Check the main fuse, the power supply cord and the plug.
No Spray or the Spray is not even	Spray nozzle blocked Solution tank is empty Solution feed filter blockage	Check the spray pipe and the nozzle. Disconnect and reconnect the water tube. Check for water in the tank. If there is water in the tank, wait a few seconds for the pump to build up pressure If the tank is empty, fill as indicated The filter in the clean water tank, the pipe, or the nozzle may be blocked. Switch off the unit and perform maintenance
The vacuum power falls	The waste water tank may be full	Empty waste water tank

SPECIFICATIONS

Model:	Aqua Pro Vac	Pump Pressure:	4 bar / 58 psi
Rated voltage:	120 v	Flow Rate:	2 litres(.53gal) / minute
Solution Tank Capacity:	1.72gal / 6.5 L	Vac Hose Length:	3 meters / 5.91 feet
Waste water tank:	1.85gal / 7 L	Noise Level:	78 dB (A)
Rated current:	5.5A	Maximum air flow:	63.5 cu. ft. / min
Motor power:	1100W	Maximum water lift:	78 – 83 H ₂ O in.
Airflow:	46.1 lsee/sec	Body Dimensions :	14.37"Wx20.87"Dx16.93"H
Pump power:	50W	Weight empty :	22 lbs.

MAXXUS Industries

1-650-292-4445 - service@aquaprovac.com - www.aquaprovac.com