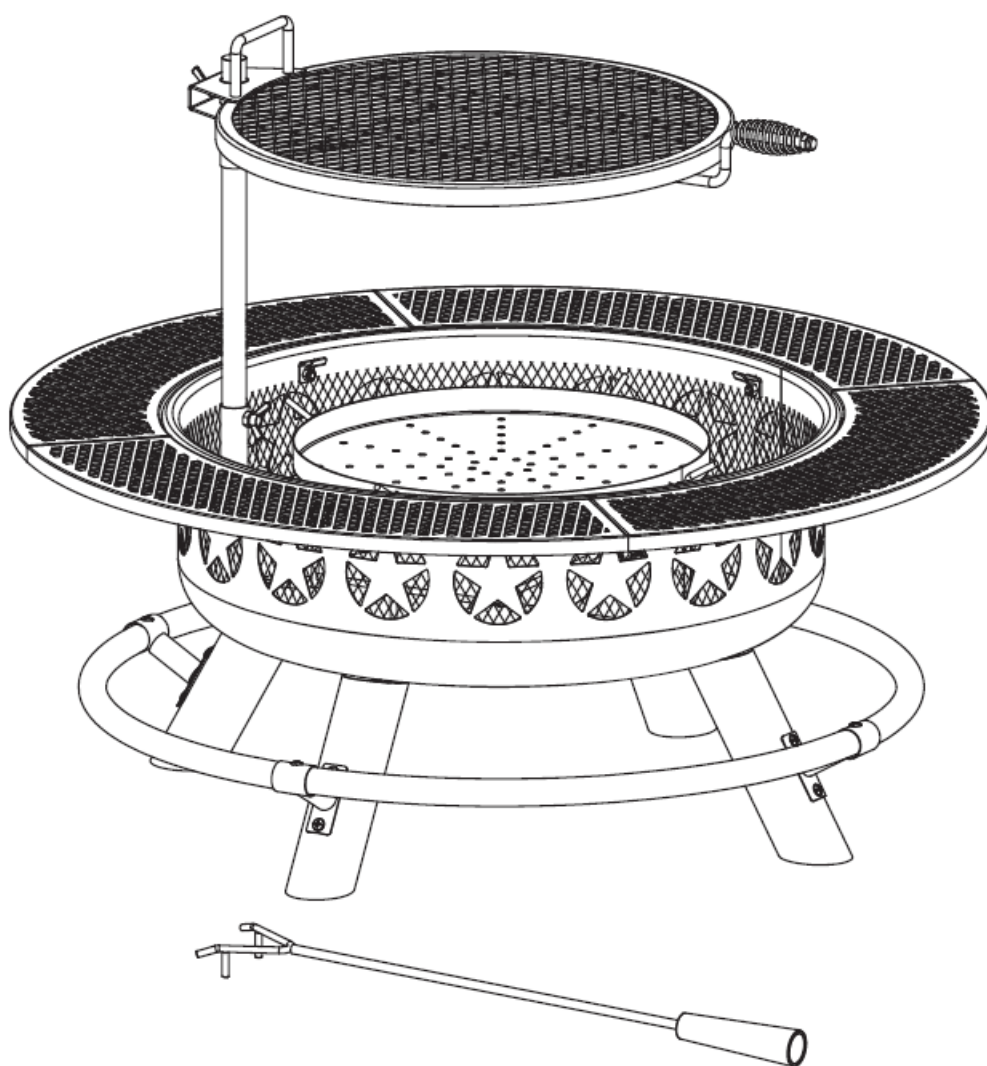


hykolity

User's Manual

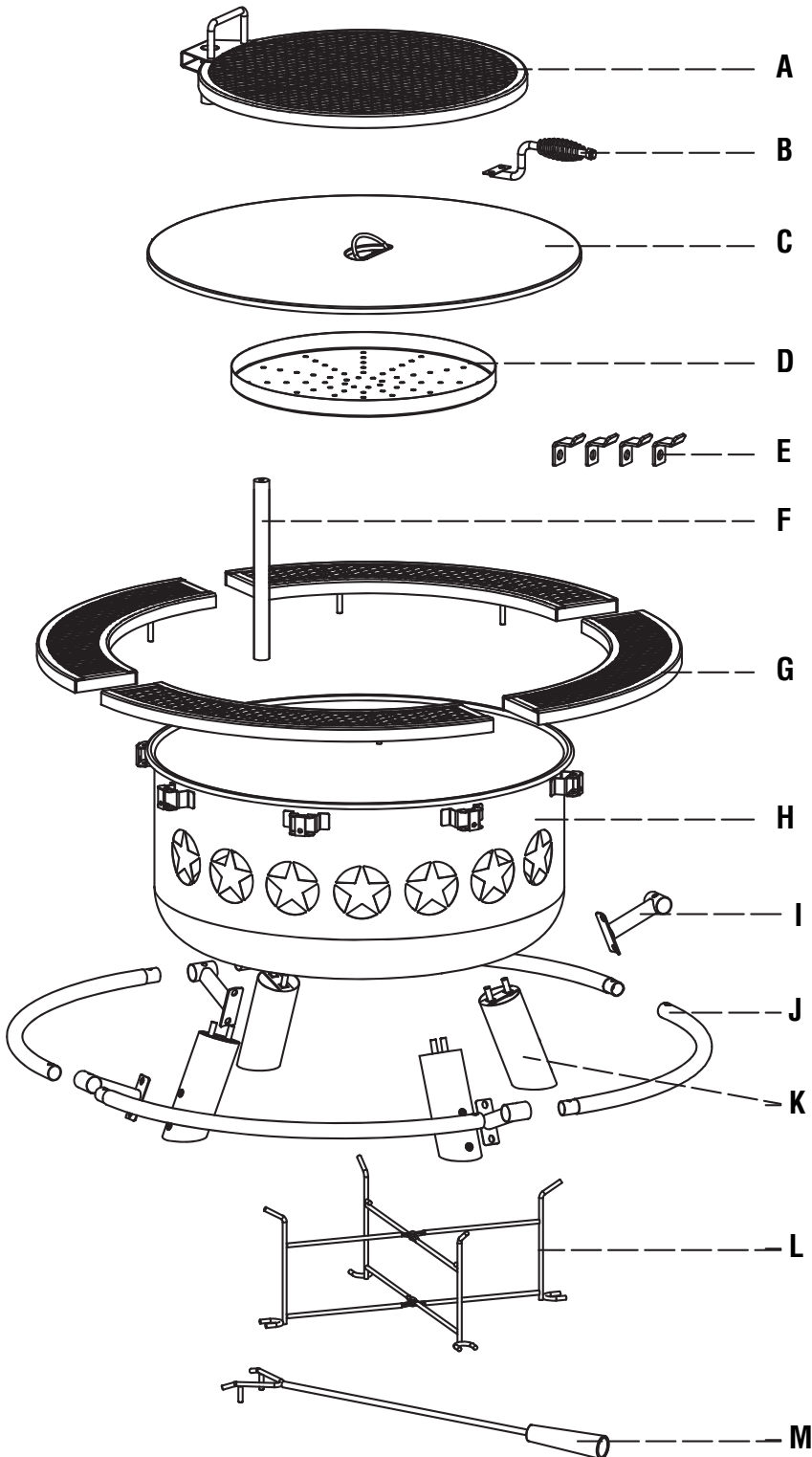
35" Wood Burning Fire Pit w/grill

WHB-0107


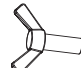
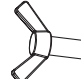
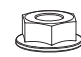





For Outdoor Use Only

PACKAGE CONTENTS



Hardware Pack

- aa**  M6x15 Screw Qty. **22+1**spare
- bb**  M6x15 Wing Bolt Qty. **8 +1**spare
- cc**  M8x20 Wing Bolt Qty. **2**
- dd**  M8 Nut Qty. **8+1**spare
- ee**  M6 Nut Qty. **4**
- ff**  M6 Wrench Qty. **1**
- gg**  M8 Wrench Qty. **1**

Part#	Desc.	Qty(pc)
A	Grill	1
B	Grill Handle	1
C	Lid	1
D	Coal Pan	1
E	Lid Holder	4
F	Support Post	1
G	Side Table Panel	4
H	Fire Bowl	1
I	Outer Rim Holder	4
J	Outer Rim	4
K	Leg	4
L	Log Holder	1
M	Poker	1

SAFETY INFORMATION

 **Please read and understand this entire manual before attempting to assemble, operate or install the product.**

- This item is for **outdoor use only**, and shall NOT be used in a building, garage or any other enclosed area. **TOXIC** carbon monoxide(**CO**) fumes can accumulate and cause asphyxiation or death.
- This fire pit is NOT for commercial use.
- This fire pit is NOT to be operated by children.
- This fire pit is NOT to be used in or on boats or recreational vehicles.
- Always use in accordance with all applicable local, state and national codes. Contact your local fire department for details on outdoor burning.
- The use of alcohol, prescription or non-prescription drugs may impair the consumer's ability to properly assemble or safely operate this fire pit.
- This fire pit is for use with dry, seasoned hardwood. It will burn hotter, more completely and create less smoke.
- **DO NOT burn lump charcoal, manufactured logs, driftwood, trash, leaves, papers, cardboard, plywood, painted or stained or pressure treated wood. Avoid using softwoods such as pine or cedar that can throw sparks.**
- DO NOT alter this fire pit in any manner.
- DO NOT use this fire pit until it is COMPLETELY assembled and all parts are securely fastened and tightened.
- DO NOT store or use gasoline or other flammable vapors or liquids in the vicinity of this or any other appliance.
- DO NOT store or use an LP gas cylinder within 10 feet (3.05 m) of this fire pit while it is in operation. The fire pit should be placed no closer than 24 inch from walls during use.
- DO NOT use this fire pit near automobiles, trucks, vans or recreational vehicles.
- Keep outdoor area clean and free from combustible materials, gasoline and other flammable liquids.
- DO NOT use this fire pit under an overhead or near any unprotected combustible constructions. Avoid using near or under overhanging trees and shrubs.
- Always use this fire pit on a hard level non-combustible surface such as concrete, rock or stone. An asphalt or blacktop surface may not be acceptable for this purpose. DO NOT use on wooden decks.
- Always empty this fire pit before each use.
- DO NOT wear flammable or loose clothing when operating this fire pit.
- DO NOT use in windy conditions.
- DO NOT use gasoline, kerosene, diesel fuel, lighter fluid to start or relight fires.
- Keep all electrical cords away from a hot fire pit.
- All surfaces of this fire pit are hot when in operation. To avoid burns, do NOT touch fire pit until it has completely cooled unless you are wearing protective gear (potholders, gloves, BBQ mittens, hot pads , etc). Never touch ashes to start or coals to see if they are hot.
- DO NOT attempt to move or store this fire pit until ashes and coals are completely extinguished.
- DO NOT remove ashes or coals until they are completely and extinguished.
- Use heat-resistant gloves or hot pads when contacting handles.
- Use long, sturdy fire pit tools when adding or moving logs.
- DO NOT place wood directly into bottom of the fire pit. Place wood only on the center of the fire bowl.
- DO NOT overload the fire pit. DO NOT add additional firewood until the fire burns down. **NOTICE: If any portion of the bowl of this fire pit are glowing red, it is overloaded.**
- DO NOT lean over this fire pit when lighting or when in use.
- DO NOT place hot pit tools onto combustible surface such as grass, wooden deck or furniture.
- Avoid breathing smoke from the fire and avoid getting it into your eyes.
- This fire pit should be thoroughly inspected and cleaned on a regular basis.
- After a period of storage and/or non-use, check for signs of damage and creosote build-up. DO NOT operate until necessary repairs and/or clean up is executed.
- Death, serious injury or damage to property may occur if the above is not followed Exactly

ASSEMBLY INSTRUCTION

STEP 1.

Attach 4pcs Leg(K) to the Fire bowl(H) with 8pcs M8 nut(dd). Tighten the nut and DO NOT cross threaded. See Fig.1

DD		M8mm	x8
----	---	------	----

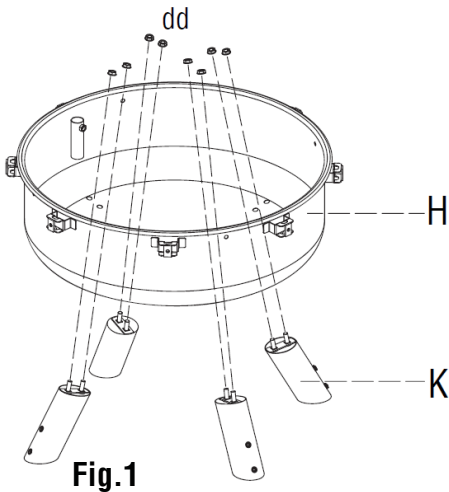



Fig.1

STEP 2.

Insert one Outer Rim(J) into another and attach the Outer Rim Holder(I) to the Leg with 12pcs M6x15 screw(aa). Repeat the same procedure to install the rest Outer Rim, see Fig.2

NOTE: Insert all screws first, do not tight until all parts are settled into the right place.

AA		M6xL15mm	x 12
----	---	----------	------

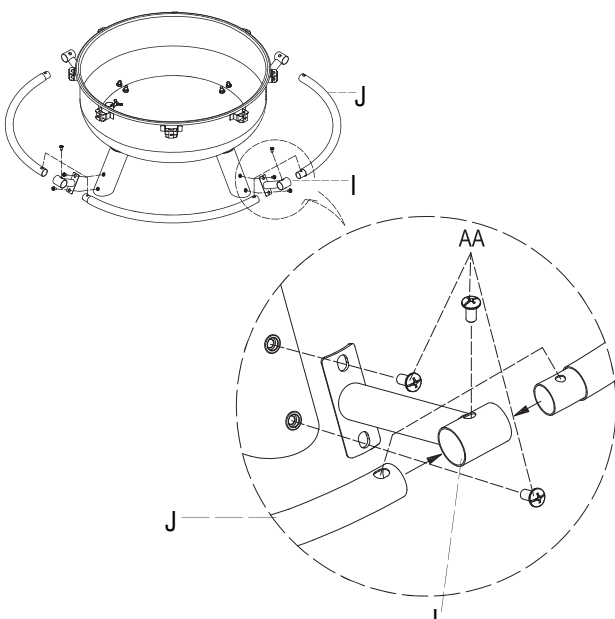
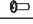



Fig.2

STEP 3.

Assemble the 4pcs Lid Holder(E) onto the interior wall of the fire bowl with M6x15 bolt(aa) and M6 nut(ee). See Fig.3

Note: DO NOT install the lid holder upside down.

AA		M6xL15mm	x 4
EE		M6mm	x 4

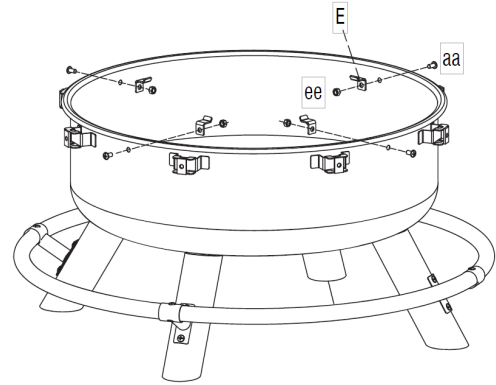




Fig.3

STEP 4.

Insert the 4pcs Side Table Panel(G) onto the fixed brackets on the fire bowl. Insert the M6x15 wing nut(bb) to lock it in place. Then connect the adjacent side table panels with M6x15 screw(aa), see Fig 4 .

Note:

- Adjust the side table panels to achieve a flat surface then tighten the wing bolt to secure.
- **DO NOT sit or lean on the side table panels.**

AA		M6xL15mm	x 4
BB		M6xL15mm	x 8

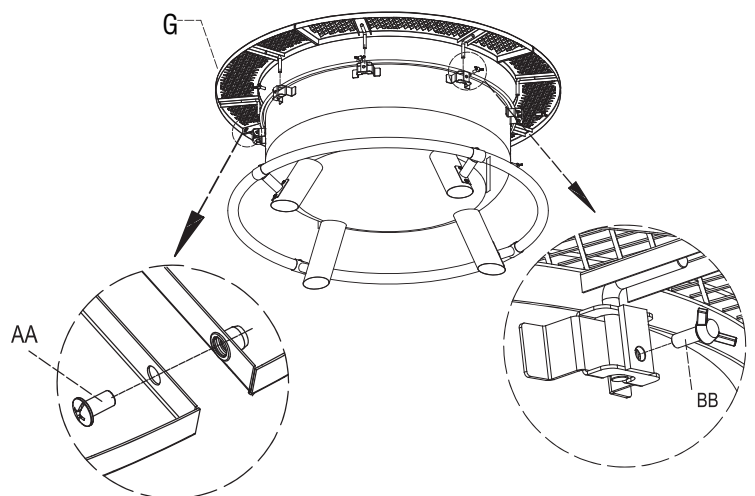


Fig.4

ASSEMBLY INSTRUCTION

STEP 5.

Assemble the Grill Handle(B) onto the Grill(A) with 2pcs M6x15 screw (aa). See Fig.6

AA		M6xL15mm	x 2
----	---	----------	-----

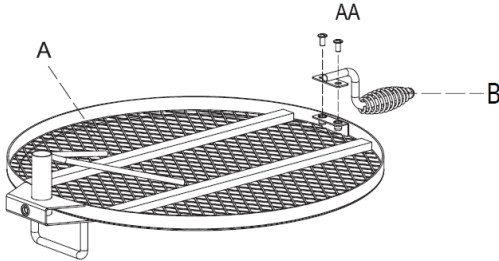


Fig.5

STEP 6. Place the Support Post(F) into the holder on the interior wall of the fire bowl. Secure it with a M8 Wing Bolt(cc). Attach the Grill(A) onto the post. Adjust the cook grate to the desired height. Then secure it with another M8 Wing Bolt(cc). See Fig.6

Note:

- DO NOT adjust the grate height during use bare-handedly.
- DO NOT overload on the cook grate(max. 5lb)

CC		M8xL20mm	x 2
----	---	----------	-----

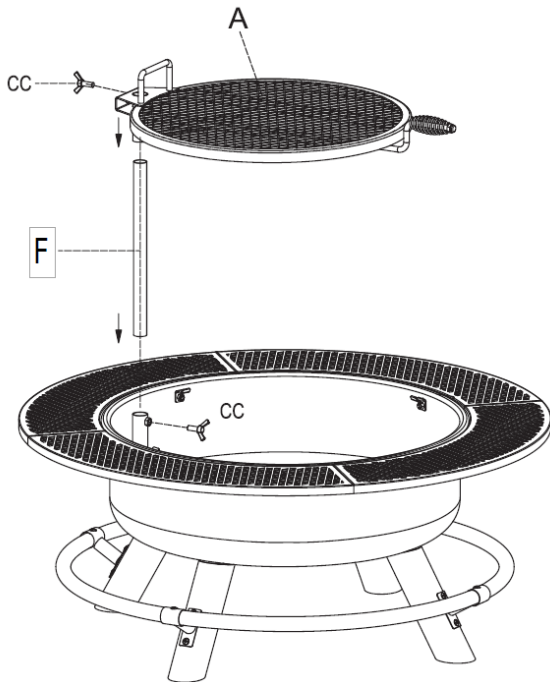


Fig.6

STEP 7.

Unfold the Log Holder(L) and set it inside the fire bowl. Place the Coal Pan(D) upon the log holder, see Fig.7

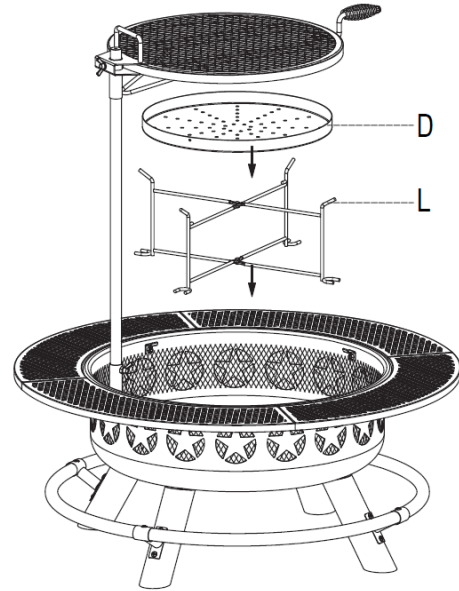
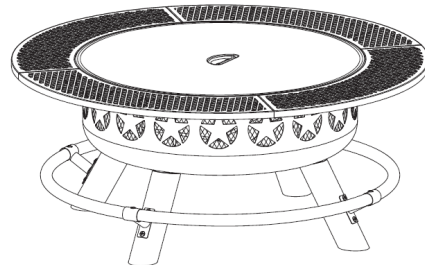


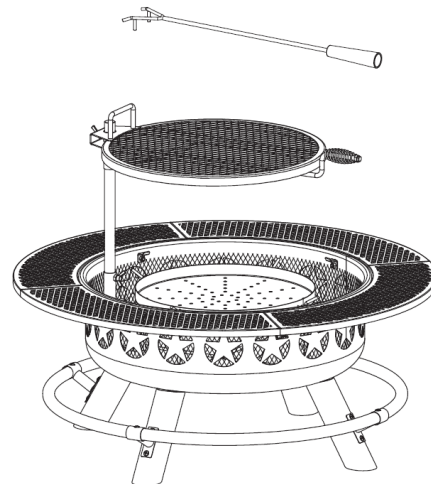
Fig.7

Full Assembled Status.

NOTE: DO NOT cover the fire pit with the lid before it is cooled down thoroughly.



Use as a coffee table



Use as a fire pit

CARE & MAINTENANCE

Lighting

1. Make sure there is only a small amount of ash in the bottom of the bowl.
2. Place a layer of dry kindling or a natural fire-starter onto the center of the fire bowl.
3. Place above that a layer of dry seasoned hardwood that is no more than 3/4 the length of the bowl diameter.
4. Use a match to light kindling or fire-starter.

Tending the Fire

You may need to shift and/or add logs for an ideal experience.

DO NOT place hot fire pit tools onto combustible surfaces such as grass, wooden deck or furniture.

1. While using a long handled fire pit tool, shift coals and logs to allow additional airflow.
2. DO NOT add gasoline, kerosene, diesel fuel, lighter fluid or alcohol to relight or enhance an existing fire.
3. Wait until glowing coals have developed before adding any additional wood. If additional wood is required, place wood on top coals, be careful not to shift ashes.

Extinguishing

Allow fire to burn itself out.

DO NOT use water to extinguish as this is dangerous and can cause damage to this outdoor fire pit.

Inspecting

This fire pit should be inspected on a regular basis to ensure product safety and longer product life.

DO NOT attempt to inspect this fire pit until the fire is COMPLETELY out and cool to the touch.

1. Check components for any signs of damage or rust.
2. If damage to any component is detected, do NOT operate until repairs are executed.

Cleaning

This fire pit should be cleaned on a regular basis to promote safer experiences and longer product life.

Note: After repeated use, a slight discoloration of the finish may occur.

DO NOT attempt to clean this fire pit until the fire is COMPLETELY out and cool to the touch.

DO NOT use oven cleaner or abrasive cleaners as they will damage this product.

DO NOT clean any part of this fire pit in a self cleaning oven as it may damage the finish.

1. Wipe exterior surfaces with a mild dishwashing detergent or baking soda.
2. For stubborn surfaces use a citrus based degreaser and a nylon scrubbing brush.
3. Rinse and clean with water.
4. Remove built-up creosote from components with a chimney cleaning product.