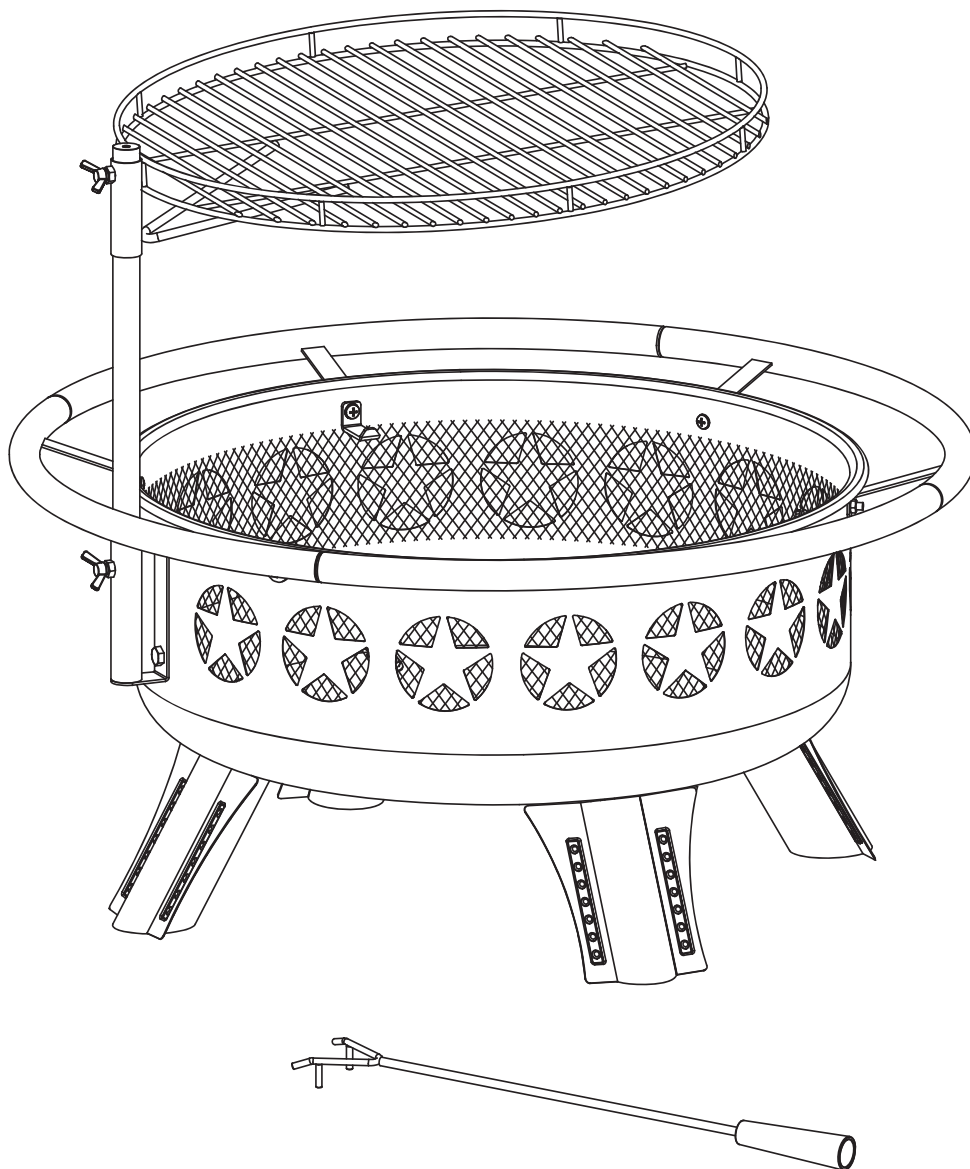


hykoly

User's Manual

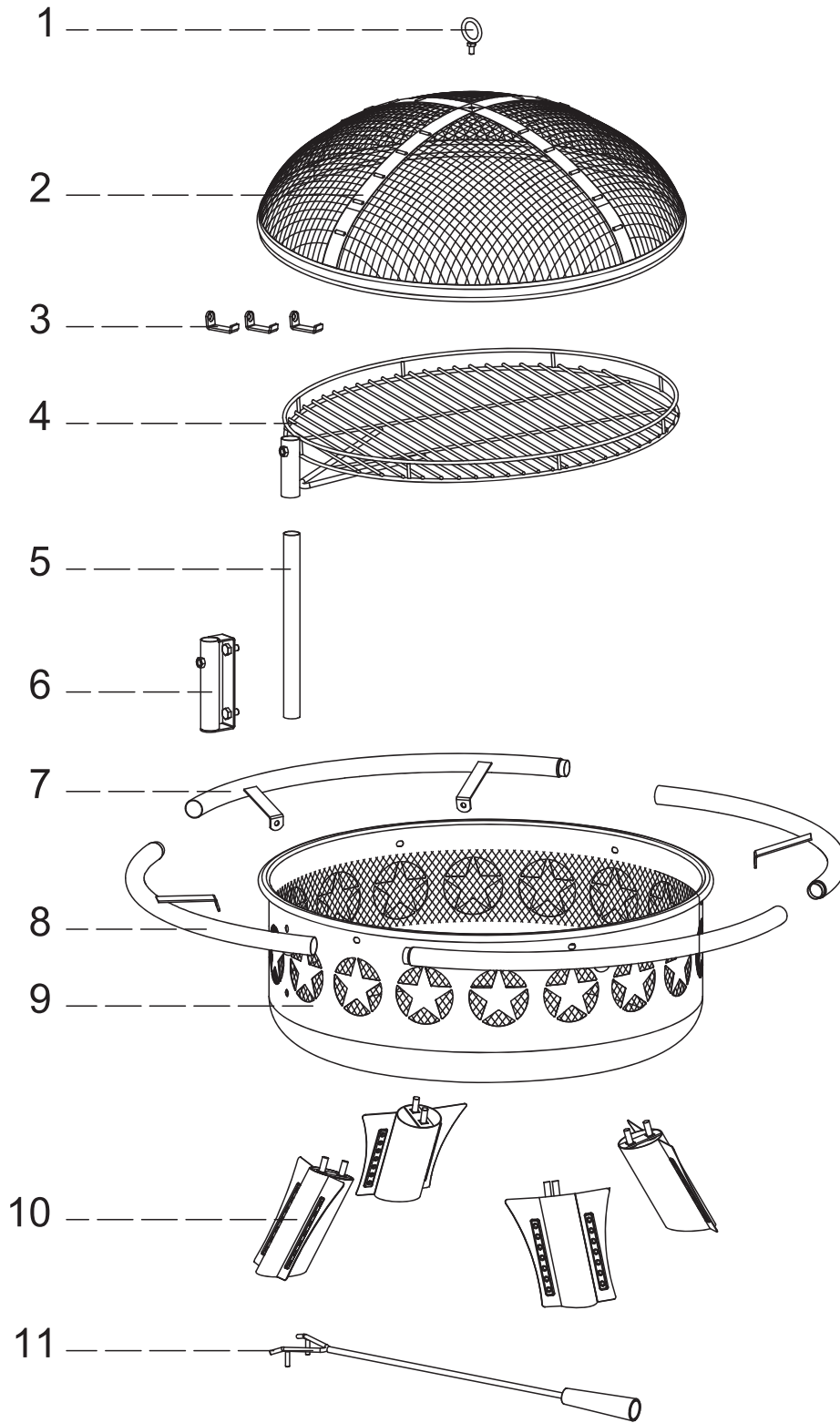
31" Wood Burning Fire Pit w/grill

WHB-0106


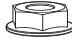
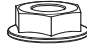
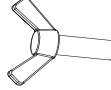

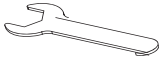


For Outdoor Use Only

PACKAGE CONTENTS



Hardware Pack

- A**  M6x15 Screw Qty. **6**
- B**  M6 Nut Qty. **7**
- C**  M8 Nut Qty. **10**
- D**  M8x20 Wing Bolt Qty. **2**
- E**  M6 Wrench Qty. **1**
- F**  M8 Wrench Qty. **1**

| Part# | Desc. | Qty(pc) |
|-------|---------------------|---------|
| 1 | Mesh Cover Handle | 1 |
| 2 | Mesh Cover | 1 |
| 3 | Cook Grate Holder | 3 |
| 4 | Grill | 1 |
| 5 | Support Post | 1 |
| 6 | Post Holder | 1 |
| 7 | 2-bracket Outer Rim | 2 |
| 8 | 1-bracket Outer Rim | 2 |
| 9 | Fire Bowl | 1 |
| 10 | Leg | 4 |
| 11 | Poker | 1 |

SAFETY INFORMATION

 **Please read and understand this entire manual before attempting to assemble, operate or install the product.**

- This item is for **outdoor use only**, and shall NOT be used in a building, garage or any other enclosed area. **TOXIC** carbon monoxide(**CO**) fumes can accumulate and cause asphyxiation or death.
- This fire pit is NOT for commercial use.
- This fire pit is NOT to be operated by children.
- This fire pit is NOT to be used in or on boats or recreational vehicles.
- Always use in accordance with all applicable local, state and national codes. Contact your local fire department for details on outdoor burning.
- The use of alcohol, prescription or non-prescription drugs may impair the consumer's ability to properly assemble or safely operate this fire pit.
- This fire pit is for use with dry, seasoned hardwood. It will burn hotter, more completely and create less smoke.
- **DO NOT burn lump charcoal, manufactured logs, driftwood, trash, leaves, papers, cardboard, plywood, painted or stained or pressure treated wood. Avoid using softwoods such as pine or cedar that can throw sparks.**
- DO NOT alter this fire pit in any manner.
- DO NOT use this fire pit until it is COMPLETELY assembled and all parts are securely fastened and tightened.
- DO NOT store or use gasoline or other flammable vapors or liquids in the vicinity of this or any other appliance.
- DO NOT store or use an LP gas cylinder within 10 feet (3.05 m) of this fire pit while it is in operation. The fire pit should be placed no closer than 24 inch from walls during use.
- DO NOT use this fire pit near automobiles, trucks, vans or recreational vehicles.
- Keep outdoor area clean and free from combustible materials, gasoline and other flammable liquids.
- DO NOT use this fire pit under an overhead or near any unprotected combustible constructions. Avoid using near or under overhanging trees and shrubs.
- Always use this fire pit on a hard level non-combustible surface such as concrete, rock or stone. An asphalt or blacktop surface may not be acceptable for this purpose. DO NOT use on wooden decks.
- Always empty this fire pit before each use.
- DO NOT wear flammable or loose clothing when operating this fire pit.
- DO NOT use in windy conditions.
- DO NOT use gasoline, kerosene, diesel fuel, lighter fluid to start or relight fires.
- Keep all electrical cords away from a hot fire pit.
- All surfaces of this fire pit are hot when in operation. To avoid burns, do NOT touch fire pit until it has completely cooled unless you are wearing protective gear (potholders, gloves, BBQ mittens, hot pads, etc). Never touch ashes to start or coals to see if they are hot.
- DO NOT attempt to move or store this fire pit until ashes and coals are completely extinguished.
- DO NOT remove ashes or coals until they are completely and extinguished.
- Use heat-resistant gloves or hot pads when contacting handles.
- Use long, sturdy fire pit tools when adding or moving logs.
- DO NOT place wood directly into bottom of the fire pit. Place wood only on the center of the fire bowl.
- DO NOT overload the fire pit. DO NOT add additional firewood until the fire burns down. **NOTICE: If any portion of the bowl of this fire pit are glowing red, it is overloaded.**
- DO NOT lean over this fire pit when lighting or when in use.
- DO NOT place hot pit tools onto combustible surface such as grass, wooden deck or furniture.
- Avoid breathing smoke from the fire and avoid getting it into your eyes.
- This fire pit should be thoroughly inspected and cleaned on a regular basis.
- After a period of storage and/or non-use, check for signs of damage and creosote build-up. DO NOT operate until necessary repairs and/or clean up is executed.
- Death, serious injury or damage to property may occur if the above is not followed Exactly

ASSEMBLY INSTRUCTION

STEP 1.

Assemble each Leg using two M8 Nut(C) and tight it with M8 Wrench(F). DO NOT cross threaded. See Fig.1

| | | | |
|---|---|------|-----|
| C |  | M8mm | x 8 |
|---|---|------|-----|

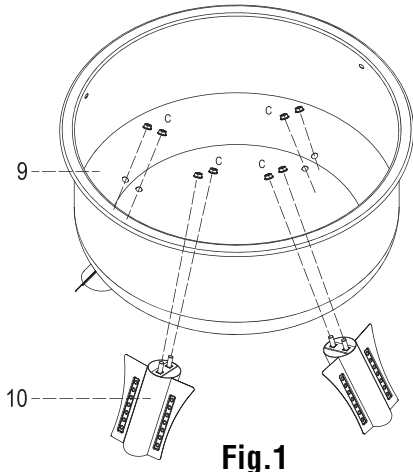




Fig.1

STEP 2.

Assemble the 2-bracket Outer Rim(2pcs) , 1-bracket Outer Rim(2pcs) and Cook Grate Holder(3pcs) with 6pcs M6 screws(A) and 6pcs M6 Nuts(B).DO NOT cross threaded. See Fig.2

Note:

- Connect the 2 different outer rims one with another.
- Settle the cook grate holder every other hole.
- Cook grate holder should be installed with hook upwards so as to hold the grate properly.

| | | | |
|---|---|---------|-----|
| A |  | M6x15mm | x 6 |
| B |  | M6mm | x 6 |

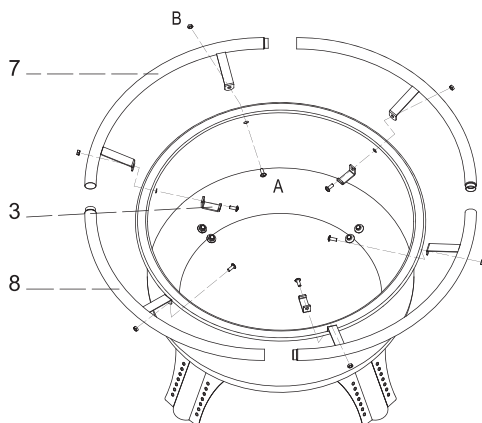



Fig.2

STEP 3.

Attach the Poster Holder onto the side wall of the fire bowl with 2pcs M8 nuts(C). Tighten the nut and DO NOT cross threaded. See Fig.3

| | | | |
|---|--|------|-----|
| C |  | M8mm | x 2 |
|---|--|------|-----|

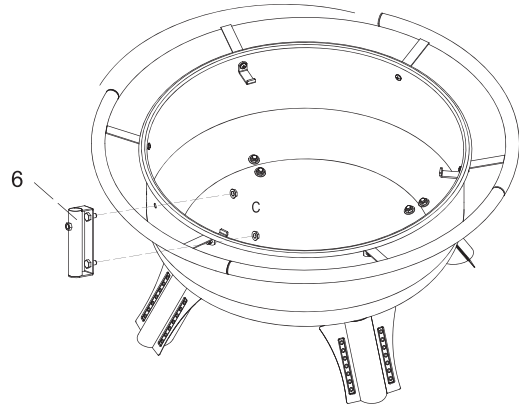


Fig.3

STEP 4.

Place the Support Post into the holder. Secure it with a M8 Wing Bolt(D). Attach the Cook Grate onto the post. Adjust the cook grate to the desired height. Then secure it with another M8 Wing Bolt(D). See Fig.4

DO NOT adjust the grate height during use bare-handedly.

DO NOT overload on the cook grate(max. 5lb)

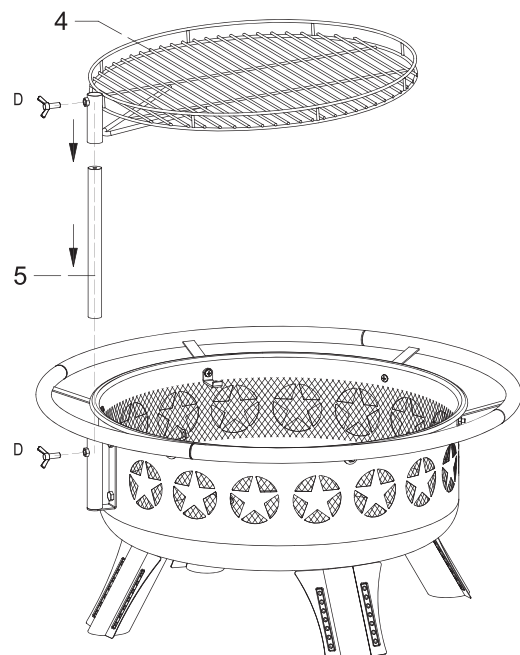


Fig.4

ASSEMBLY INSTRUCTION

STEP 5.

Attach the Mesh Cover Handle onto the Mesh Cover with 1pc M6 nut(B). DO NOT cross threaded. See Fig.5

| | | | |
|---|---|------|-----|
| B |  | M6mm | x 1 |
|---|---|------|-----|

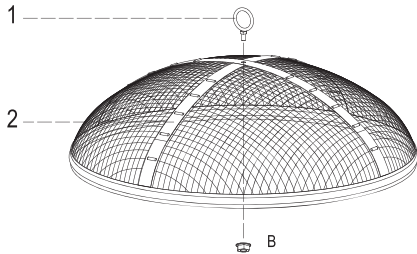


Fig.5

NOTE:

Before wood burning, place a piece of rock or pebble on top of the drainage hole at the bottom of the fire bowl to stop the sand from leaking.

Then **add a layer , like 1inch thick sand into the fire bowl**. This will help reduce the heat which goes downward onto the ground.

CARE & MAINTENANCE

Lighting

1. Make sure there is only a small amount of ash in the bottom of the bowl.
2. Place a layer of dry kindling or a natural fire-starter onto the center of the fire bowl.
3. Place above that a layer of dry seasoned hardwood that is no more than 3/4 the length of the bowl diameter.
4. Use a match to light kindling or fire-starter.

Tending the Fire

You may need to shift and/or add logs for an ideal experience.

DO NOT place hot fire pit tools onto combustible surfaces such as grass, wooden deck or furniture.

1. While using a long handled fire pit tool, shift coals and logs to allow additional airflow.
2. DO NOT add gasoline, kerosene, diesel fuel, lighter fluid or alcohol to relight or enhance an existing fire.
3. Wait until glowing coals have developed before adding any additional wood. If additional wood is required, place wood on top coals, be careful not to shift ashes.

CARE & MAINTENANCE

Extinguishing

Allow fire to burn itself out.

DO NOT use water to extinguish as this is dangerous and can cause damage to this outdoor fire pit.

Inspecting

This fire pit should be inspected on a regular basis to ensure product safety and longer product life.

DO NOT attempt to inspect this fire pit until the fire is COMPLETELY out and cool to the touch.

1. Check components for any signs of damage or rust.
2. If damage to any component is detected, do NOT operate until repairs are executed.

Cleaning

This fire pit should be cleaned on a regular basis to promote safer experiences and longer product life.

Note: After repeated use, a slight discoloration of the finish may occur.

DO NOT attempt to clean this fire pit until the fire is COMPLETELY out and cool to the touch.

DO NOT use oven cleaner or abrasive cleaners as they will damage this product.

DO NOT clean any part of this fire pit in a self cleaning oven as it may damage the finish.

1. Wipe exterior surfaces with a mild dishwashing detergent or baking soda.
2. For stubborn surfaces use a citrus based degreaser and a nylon scrubbing brush.
3. Rinse and clean with water.
4. Remove built-up creosote from components with a chimney cleaning product.