



inquiry@hykolity.com

www.hykolity.com

+1 (562) 456-0507



Ship Series 8FT LED Vapor Tight Light

BRIGHT

TRUSTED

HIGH-QUALITY

Ship Series 8FT LED Vapor Tight Light

The vapor tight fixture is a cost effective and energy efficient alternative to traditional fluorescent tubes or strip light fixtures. Featuring a full-length, casketed polycarbonate lens and single piece non-corrosive polycarbonate body, this vapor tight led is protected with IP65 rating, sealed and casketed against dust, dirt, and humidity, making it ideal for both indoor and outdoor harsh environments applications, including utility lighting, parking garages, freezers and cold storage facilities, food processing, car washes, stairwell lighting and low bay lighting. Additionally, ceiling or surface mounted, this led vapor tight light has light efficiency of 130LM/W.



FEATURES

- UL listed for wet locations, IP65 rated
- 130 lumens per watt
- 120-277VAC universal voltage
- -40°F up to 122°F work temperature
- 5 years warranty
- 3000K/4000K/5000K selectable
- 65/75/90W selectable
- 0-10V dimming feature
- Long-life, high-efficacy, micro-power LEDs
- CRI: > 80Ra

DIMENSION:(in)



INSTALLATION

WARNING

- To reduce the risk of death, personal injury or property damage from fire, electric shock, falling parts, cuts/abrasions, and other hazards read all warnings and instructions included with and on the fixture box and all fixture labels.
- Before installing, servicing, or performing routine maintenance upon this equipment, follow these general precautions.
- Commercial installation, service and maintenance of luminaires should be performed by a qualified licensed electrician.
- For the installation: If you are unsure about the installation or maintenance of the luminaires, consult a qualified licensed electrician and check your local electrical code.
- To prevent wiring damage or abrasion, do not expose wiring to edges of sheet metal or other sharp objects.
- Do not make or alter any open holes in an enclosure of wiring or electrical components during kit installation.

WARNING

- Turn off electrical power at fuse or circuit breaker box before wiring fixture to the power supply.
- Turn off the power when you perform any maintenance.
- Verify that supply voltage is correct by comparing it with the luminaire label information.
- All wiring connections should be capped with UL approved wire connectors.

CAUTION

- Avoid direct eye exposure to the light source while it is on.
- Account for small parts and destroy packing material, as these may be hazardous to children.
- Risk of burn. Disconnect power and allow fixture to cool before changing bulb or handing fixture.

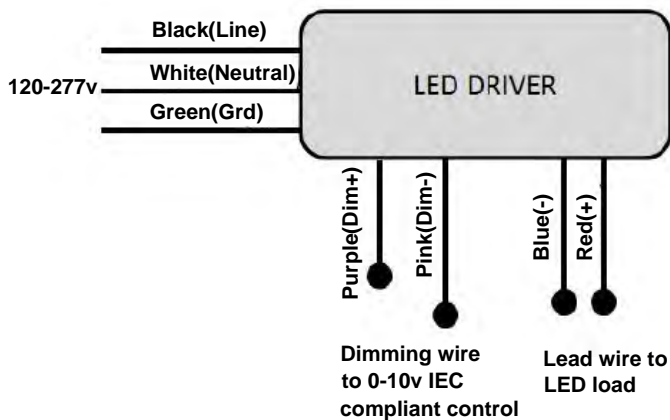
NOTICE: Green ground screw provided in proper location. Do not relocate.

NOTICE: Minimum 90° supply conductors.

NOTICE: Specifications and dimensions subject to change without notice.

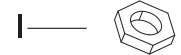
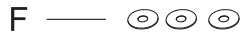
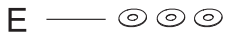
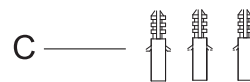
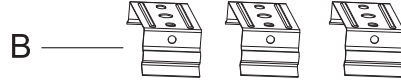
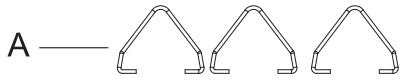
NOTICE: Suitable for wet location.

General Wiring Diagram



INSTALLATION

HARDWARE CONTENT



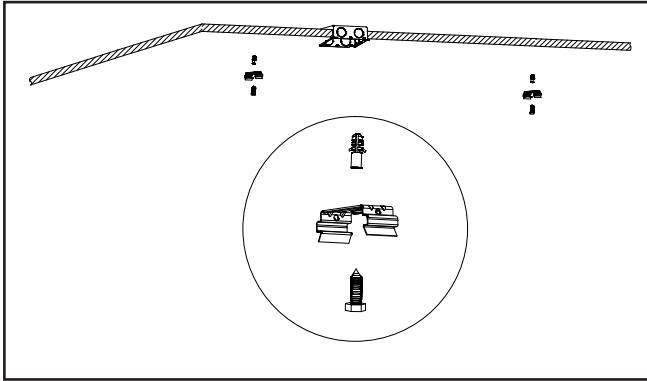
	CONTENTS	PCS
A	V-HOOK	3
B	SURFACE MOUNT BRACKET	3
C	SELF-DRILLING SCREW-4*32*7	3
D	PLASTIC TUBE-6*31mm	3
E	MENTAL GASKET-4*12*0.7	3
F	RUBBER GASKET-4*12*1	3
G	PLUG	1
H	SEALING RING	1
I	NUT	1

INSTALLATION

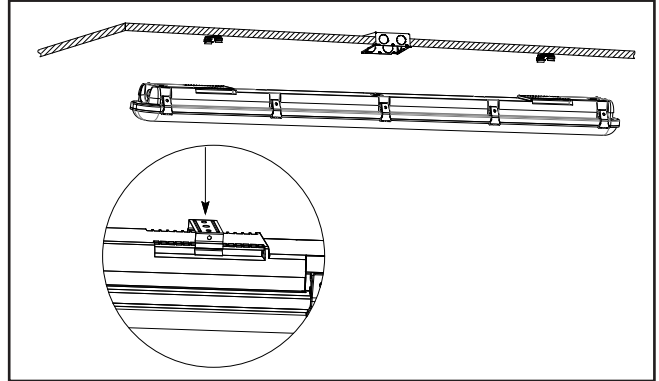
Always turn off the power supply from main circuit breaker first!

Surface Mounting

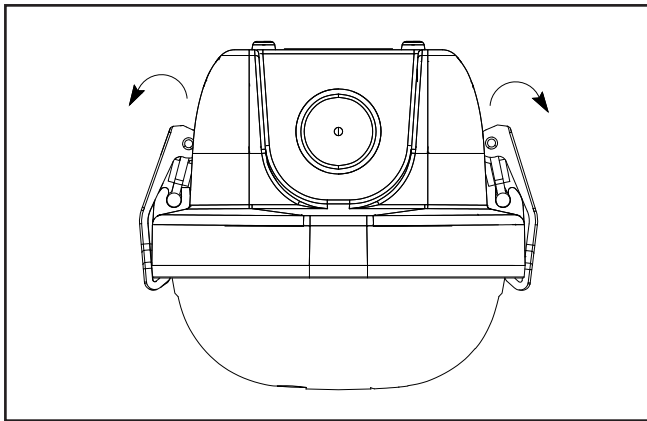
1. Locate drill holes for mounting brackets. Use hardware found in hardware kit. Mount bracket to surface.



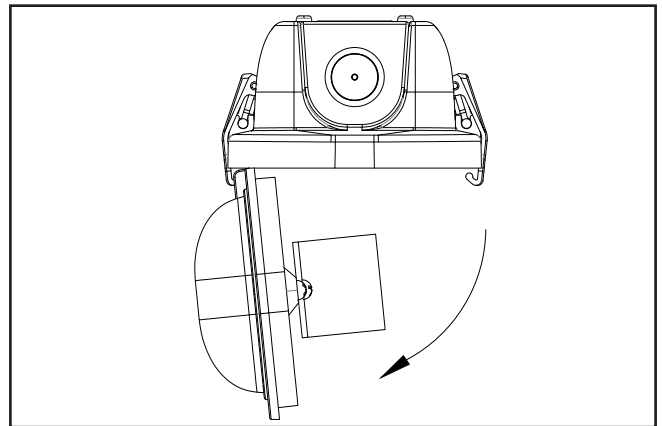
2. Secure mounting clips to housing recesses by firmly pressing them into place until both sides of the clip are secured.



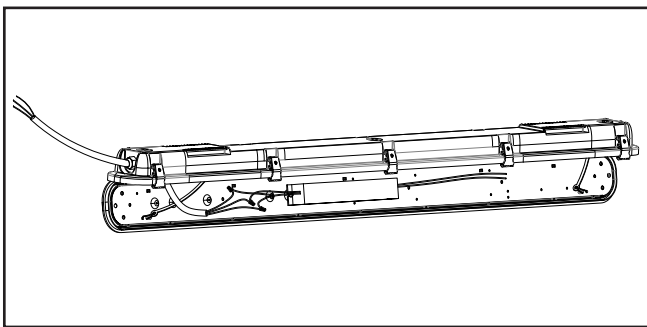
3. Release latches by pulling top of latch away from housing.



4. Without touching LED boards, detach LED tray and lens from fixture.

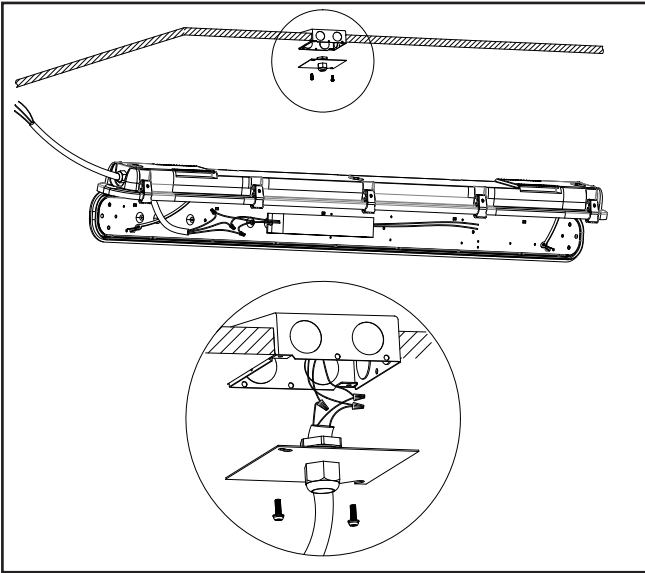


5. Connect power to driver as shown in the figure.
(the flexible cord supplied by others)

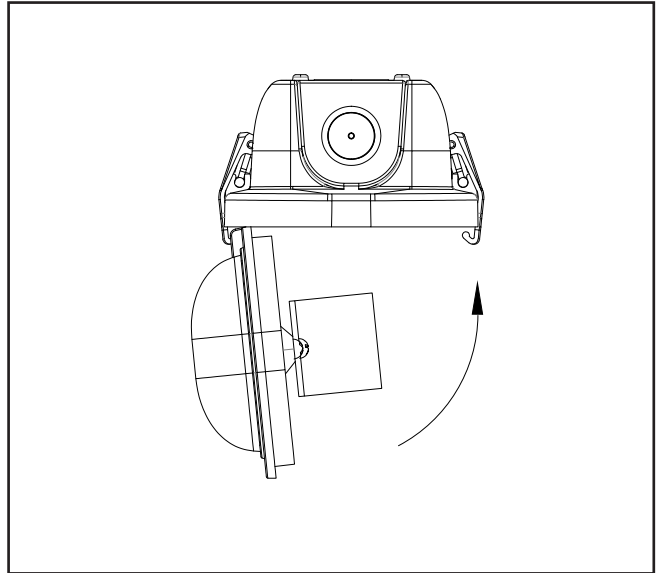


INSTALLATION

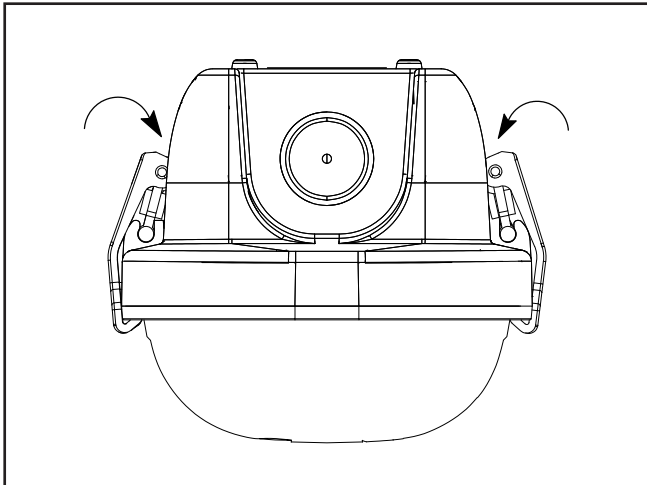
6. Follow general wiring Diagram on Figure for reference. Make sure the power supply is disconnected before installing.



7. Reattach LED tray and lens to fixture by reversing step 4.

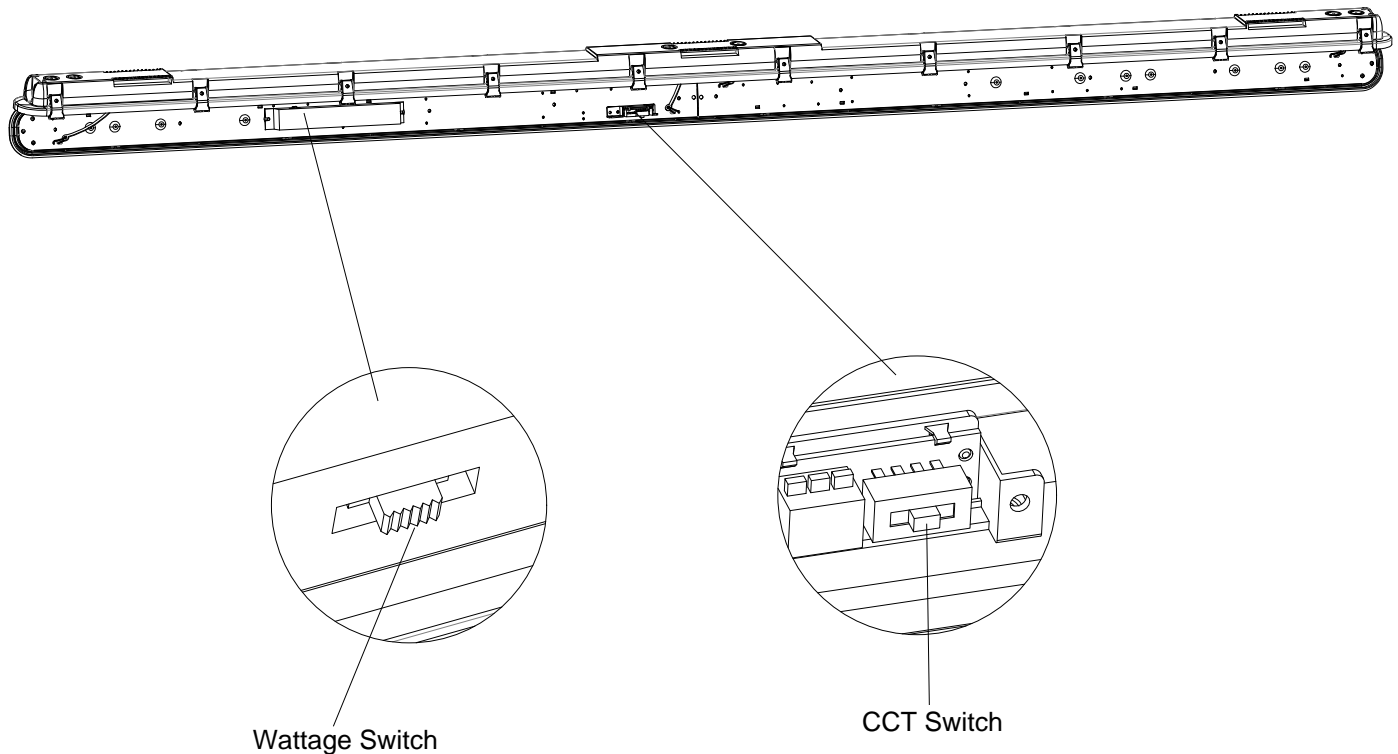


8. Secure lens to housing with lens latches.



INSTALLATION

Field-Adjustable Wattage & CCT



The end users may adjust the color temperature and lumen output respectively by the two DIP switch. Each DIP switch is accommodated with 3 options (left, middle and right), corresponding to 3 color temperatures and 3 powers respectively, which can perform the desired color temperature and lumen output combination.

Factory Default setting

CCT: 5000K

Wattage: 90W

1. DIP switches are located onto the side of the fixture.
2. Select a wattage and color temperature by sliding switch left or right respectively to the desired value.