



inquiry@hykology.com

www.hykology.com

+1 (562) 456-0507



LIBRA SERIES LED STRIP LIGHT

BRIGHT

TRUSTED

HIGH-QUALITY

LIBRA SERIES LED STRIP LIGHT

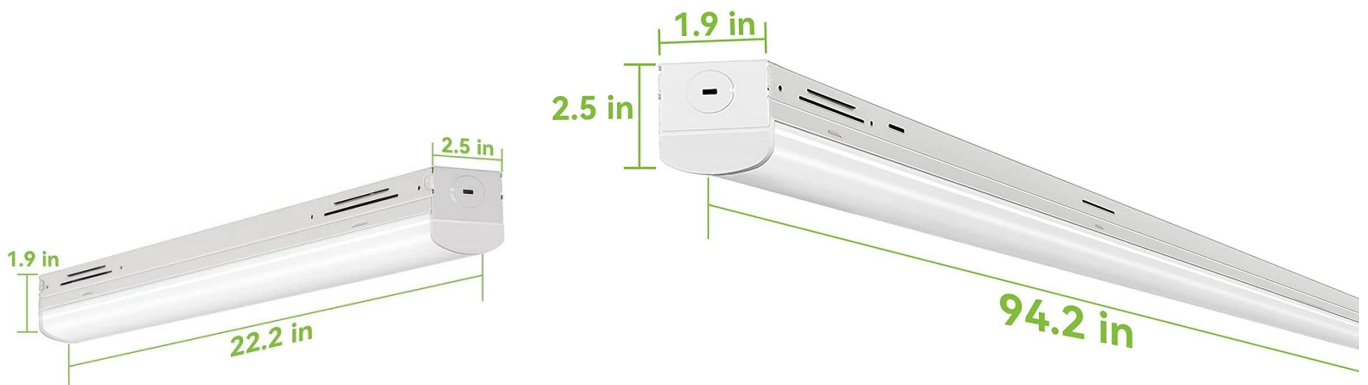


SPECIFICATIONS

Model	2FT	8FT
Color Temperature	3500K/4000K/5000K	
Wattage	15W/20W/25W	65W/75W/90W
Efficacy	130LM/W	
CRI	>80	
Lifespan	50,000 hours+	
Input Voltage	120-277VAC	
Power Factor	>0.9	
Dimming	0-10V Dimmable	
Housing	Sheet Metal Stamping	
Housing Color	White	
Certification	UL Listed	
Operating Temperature	14°F ~ 104°F	
Warranty	5 Years	

DIMENSIONS

2FT&8FT



LIBRA SERIES LED STRIP LIGHT

Installation Instruction

WARNING

- To reduce the risk of death, personal injury or property damage from fire, electric shock, falling parts, cuts/abrasions, and other hazards read all warnings and instructions included with and on the fixture box and all fixture labels.
- Before installing, servicing, or performing routine maintenance upon this equipment, follow these general precautions.
- Commercial installation, service and maintenance of luminaires should be performed by a qualified licensed electrician.
- For the installation: If you are unsure about the installation or maintenance of the luminaires, consult a qualified licensed electrician and check your local electrical code.
- To prevent wiring damage or abrasion, do not expose wiring to edges of sheet metal or other sharp objects.
- Do not make or alter any open holes in an enclosure of wiring or electrical components during kit installation.

WARNING

- Turn off electrical power at fuse or circuit breaker box before wiring fixture to the power supply.
- Turn off the power when you perform any maintenance.
- Verify that supply voltage is correct by comparing it with the luminaire label information.
- All wiring connections should be capped with UL approved wire connectors.

CAUTION

- Avoid direct eye exposure to the light source while it is on.
- Account for small parts and destroy packing material, as these may be hazardous to children.
- Risk of burn. Disconnect power and allow fixture to cool before changing bulb or handing fixture.

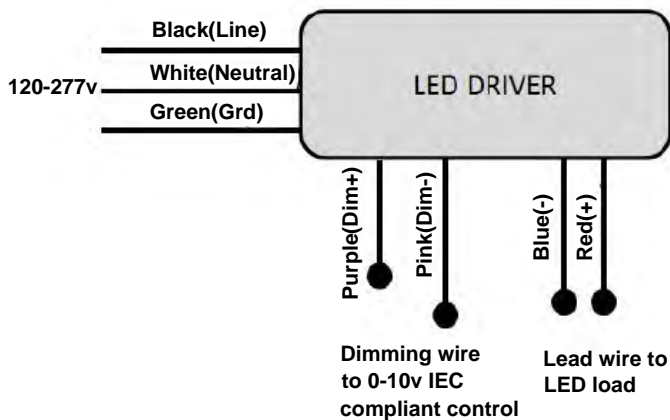
NOTICE: Green ground screw provided in proper location. Do not relocate.

NOTICE: Minimum 90° supply conductors.

NOTICE: Specifications and dimensions subject to change without notice.

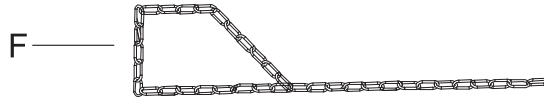
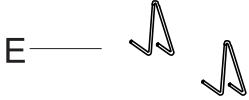
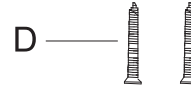
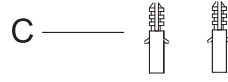
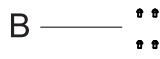
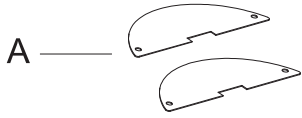
NOTICE: Suitable for Dry or Damp location

General Wiring Diagram



LIBRA SERIES LED STRIP LIGHT

HARDWARE CONTENT



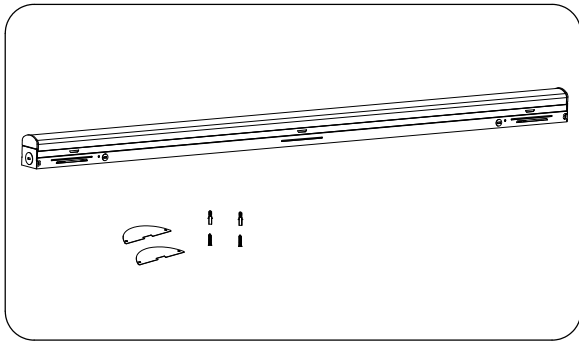
	CONTENTS	PCS
A	JUNCTION BOX BAFFLE	2
B	SCREW-4*6*8	4
C	SELF-DRILLING SCREW-4*32*7	2
D	PLASTIC TUBE-6*31mm	2
E	V-HOOK	2
F	CHAIN	2

LIBRA SERIES LED STRIP LIGHT

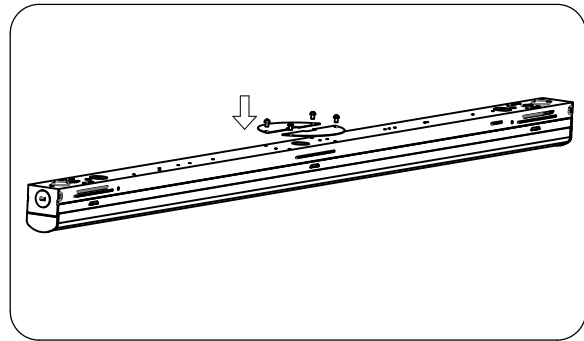
Always turn off the power supply from main circuit breaker first!

Surface Mounting

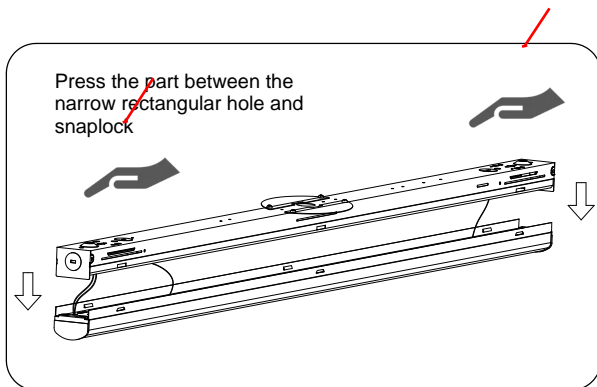
1. Take out the light fixture and accessories package from the box.



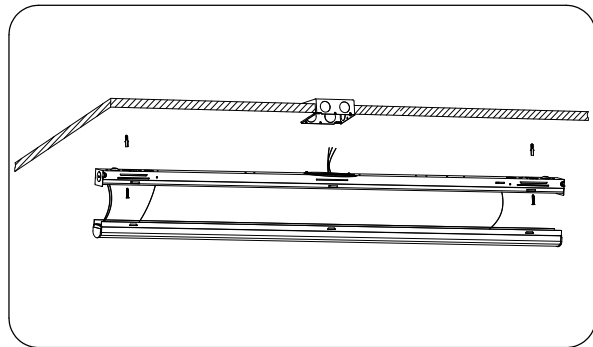
2. Fix the baffle on the lamp.



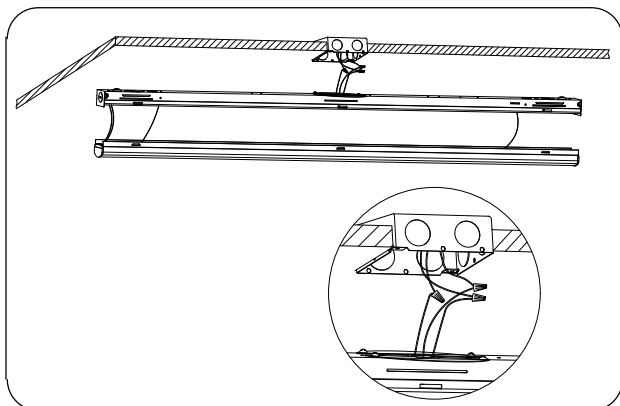
3. Open the module board down.



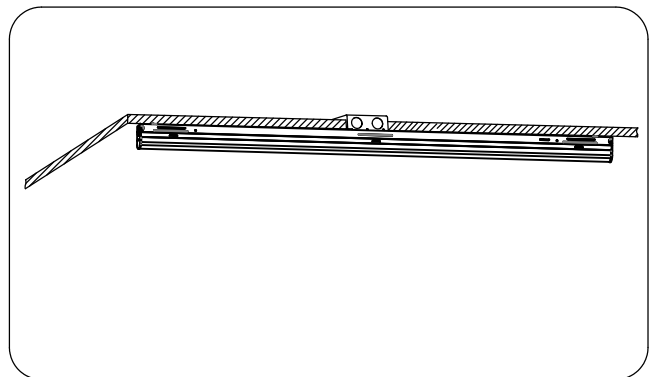
4. Fix the lamp to the ceiling with the plastic anchors and screws (not included).



5. Wire to main power through the junction box.



6. Assemble the module board upwards. The installation is completed.

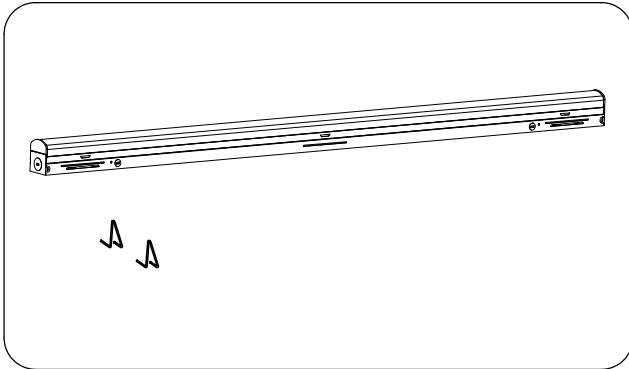


LIBRA SERIES LED STRIP LIGHT

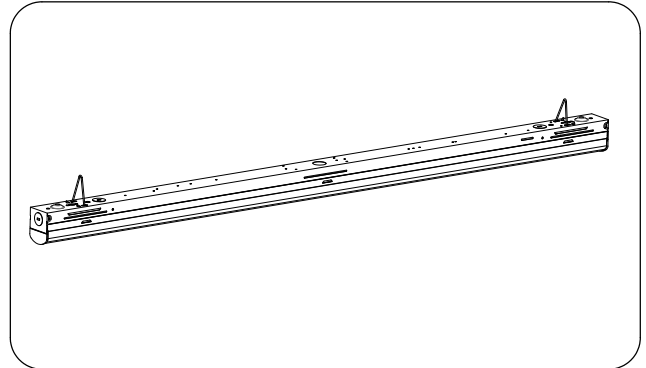
Always turn off the power supply from main circuit breaker first!

Chain Suspended Mounting

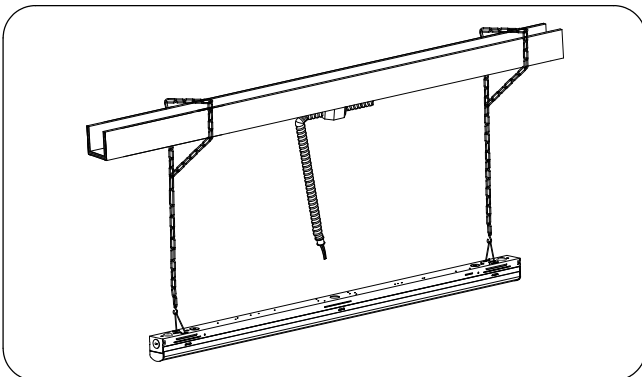
1. Take out the light fixture and accessories package from the box.



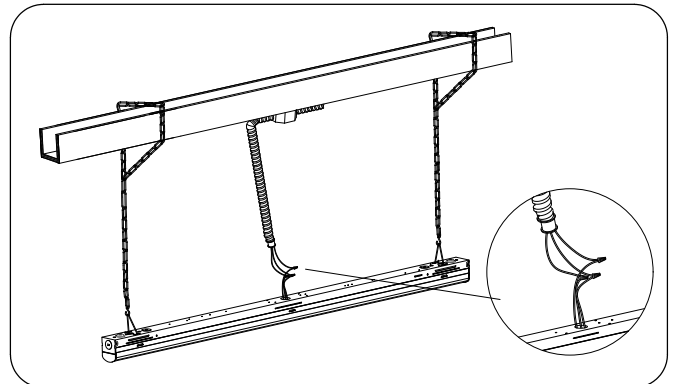
2. Connect the V-hook to the lamp.



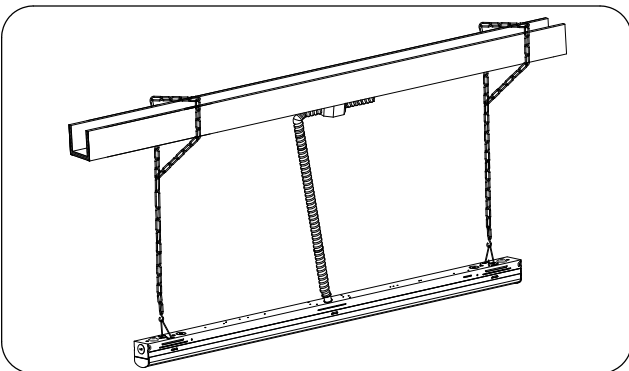
3. Attach chain to the V-hooks.



4. Connect the AC wires.

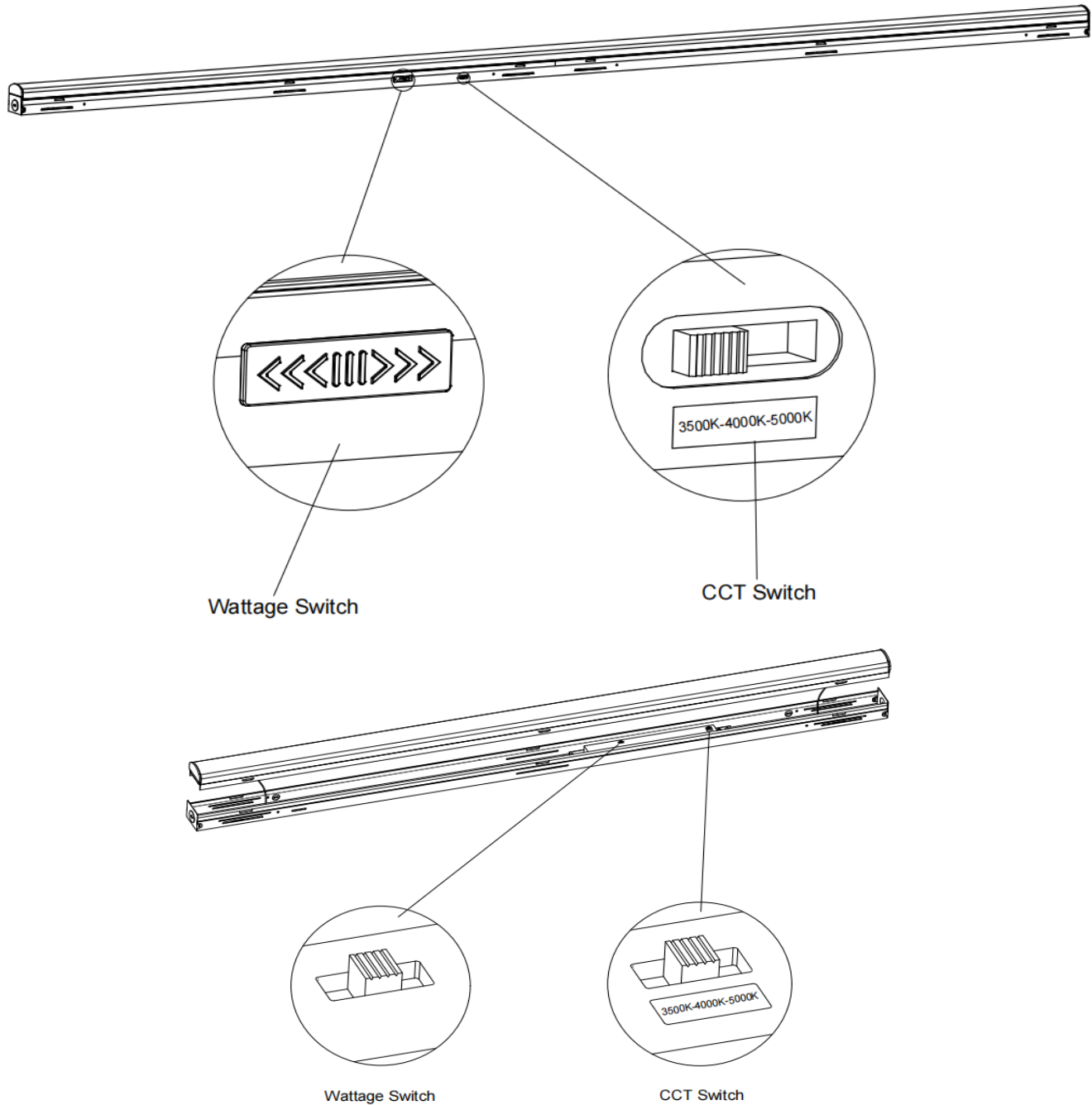


5. The installation is completed.



LIBRA SERIES LED STRIP LIGHT

Field-Adjustable Wattage & CCT



The end users may adjust the color temperature and lumen output respectively by the two DIP switches. Each DIP switch is accommodated with 3 options (left, middle and right), corresponding to 3 color temperatures and 3 powers respectively, which can perform the desired color temperature and lumen output combination.

Factory Default setting

CCT: 5000K

Wattage: 90W(8FT); 25W(2FT)

1. DIP switches are located onto the side of the fixture.
2. Select a wattage and color temperature by sliding switch left or right respectively to the desired value.