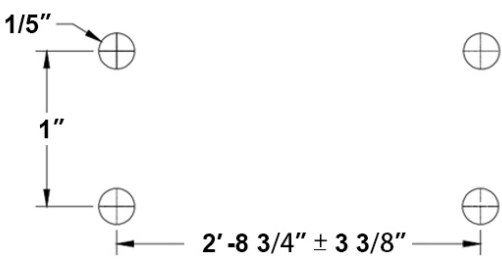
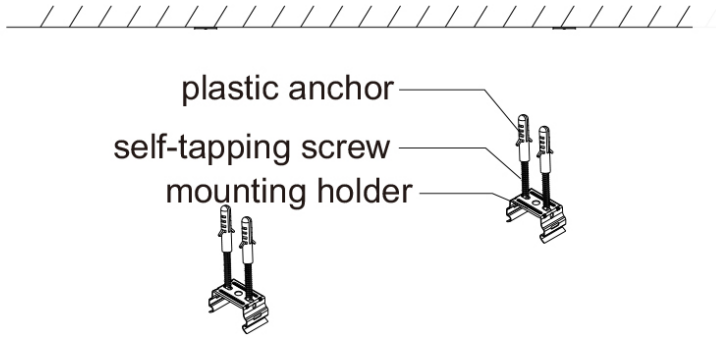
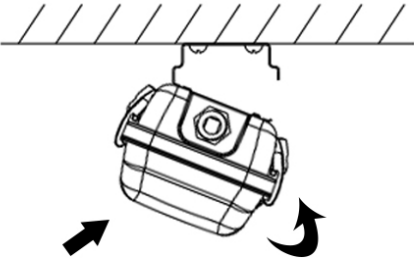
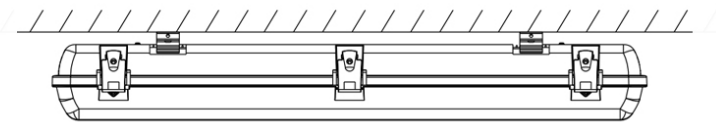


IMPORTANT: Installation should be done by a qualified electrician. Please read all instructions before continuing

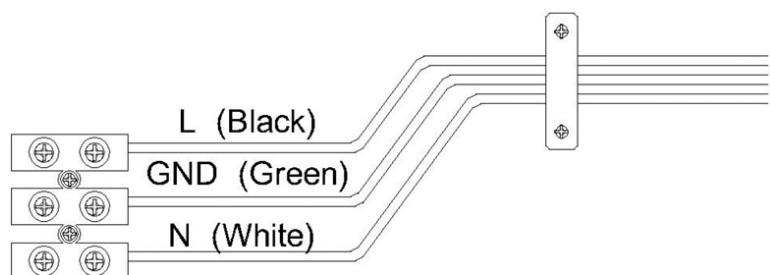
This fixture must be wired in accordance with the National Electrical Code and applicable local codes and ordinances. Hykology cannot and will not be held liable for any modifications or the results of any modifications to electrical devices. By using these instructions, you are solely responsible for following all safety procedures, codes, methods of installation and materials. If unsure about any instruction or installation method, please contact a qualified electrician or electrical expert.

Installation Instructions

 <p>1. Drill four holes into the screw locations on the ceiling.</p>	 <p>2. Fix the plastic anchor into the ceiling, insert the screws into the metal clamp, then fix the screws into the anchor</p>
 <p>3. Fix the fixture into the clamps shown as above</p>	 <p>4. Complete the installation as the above picture shown</p>

Wiring

- L (Live Line)
- GND (Ground)
- N (Null Line)



Warning: Turn off the power before installation