

Wattage	30W
CCT	5000K
Lumen	3450LM
CRI	>80
Lifespan	50,000 hrs
Sensor	Photocell

Efficacy	115LM/W
Color	Black
IP Rating	WET (IP65)
Certification	ETL Listed
Input Voltage	120V
Warranty	5 Years

hykolity
LED MINI
WALL PACK LIGHT

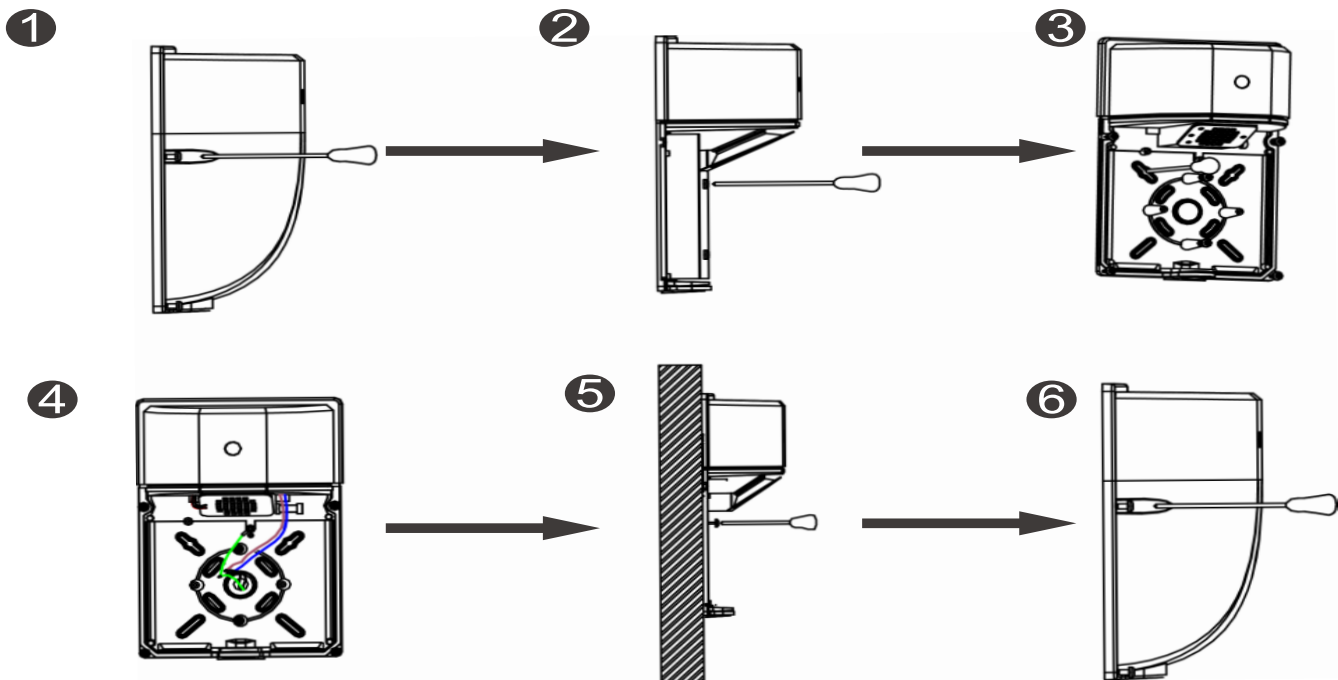
INSTALLATION INSTRUCTIONS



CAUTIONS

READ AND FOLLOW ALL SAFETY INSTRUCTIONS

1. DANGER- Risk of shock- Disconnect power before installation.
2. This luminaire must be installed in accordance with the NEC or your local electrical code.
3. Suitable for wet location and operation in ambient not exceeding 40°C
4. Min 75°C supply conductors.
5. Products are not intended for use in environments containing airborne corrosive agents such as chemical solvents, cleaners, or cutting fluids.
6. This luminaire is rated for 120Vac 60Hz only.
7. Replace the Lens if damaged



1. Remove the lens by removing the 2 screws securing it to the rear housing and set aside.
2. Loosen two screws enough to allow reflector to slide upward until keyhole in reflector releases from two screws. Remove reflector.
3. Knock out appropriate holes around outlet hole in rear housing and apply the gasket to the back surface of housing and fasten the rear housing to the outlet box using the screws supplied with the outlet box.
4. Complete the wiring to the power source and ground, make the following electrical connections in the mounting box or junction box:
 - a. Connect the black lead to the voltage supply lead
 - b. Connect the white lead to the neutral supply lead
 - c. Connect the ground lead to the supply ground lead.
 - d. To ensure rain tight seal, apply silicone caulking around back edges of fixture.
5. Replace reflector.
6. Replace front housing by reversing procedure used to remove it.