



inquiry@hykology.com

www.hykology.com

+1 (562) 456-0507



Hykology 4FT 60W LED Vapor Tight Light

BRIGHT

TRUSTED

HIGH-QUALITY

Hykolity 60W LED Vapor Tight Light

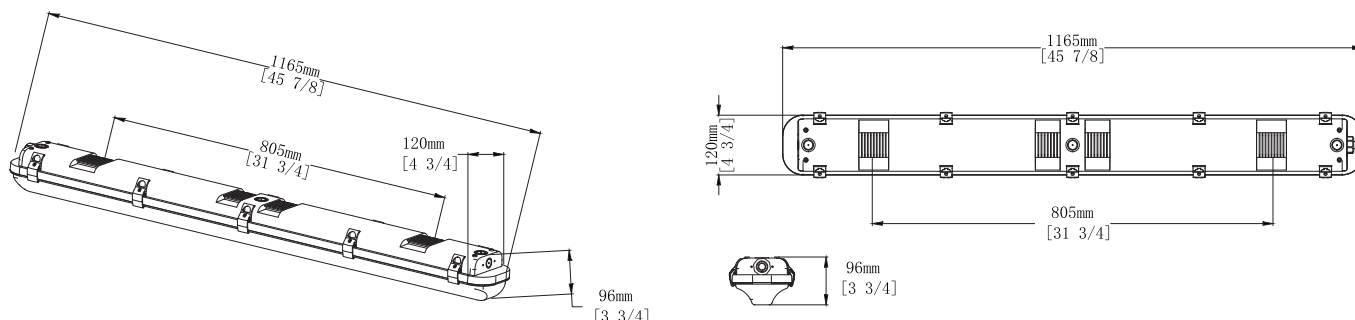
The vapor tight fixture is a cost effective and energy efficient alternative to traditional fluorescent tubes or strip light fixtures. Featuring a full-length, casketed polycarbonate lens and single piece non-corrosive polycarbonate body, this vapor tight led is protected with IP65 rating, sealed and casketed against dust, dirt, and humidity, making it ideal for both indoor and outdoor harsh environments applications, including utility lighting, parking garages, freezers and cold storage facilities, food processing, car washes, stairwell lighting and low bay lighting. Additionally, ceiling or surface mounted, this led vapor tight light has light efficiency of 130LM/W.



FEATURES

- ETL listed for wet locations, IP65 rated
- 130 lumens per watt
- 100-277VAC universal voltage
- 5000K daylight
- 160° beam angle
- 0-10V dimming feature

DIMENSION:(mm/in)



Hykolity 60W LED Vapor Tight Light

TECHNICAL SPECIFICATION

- Input Voltage : 100-277VAC
- Driver Type : UL Driver
- Luminous Efficacy : up to 130lm/w
- Colour Rendering Index : > 80Ra
- LED Type : LM80 SMD2835
- Operating : Temperature: -4°F up to 122°F
- Color Temperature : 5000K
- Material : Polycarbonate Body & Diffuser
- Ingress Protection : IP65
- Impact Rating : IK08
- Rated Life : 50,000 hours
- Warranty : 5 years

Produce Code	VP60W5K-QLS-4S
Power Consumption(W)	60W
Lumens Delivered (lm)	7800lm
Efficacy (lm/W)	130lm/W
Beam Angle	160°
CRI	80
Power Factor	>0.9
Housing	PC
Installation	Surface Mount
Operating Temperature	-4°F up to 122°F
Certification	ETL



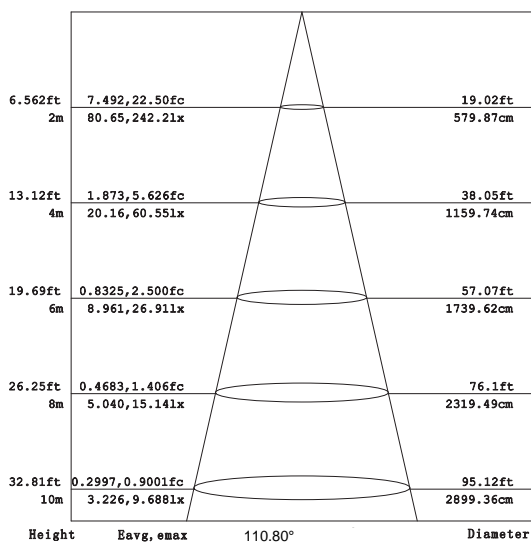
The light transmittance of PC cover is up to 92%. The integrated design of Lens Cover and LED Plate is more convenient to install and use.



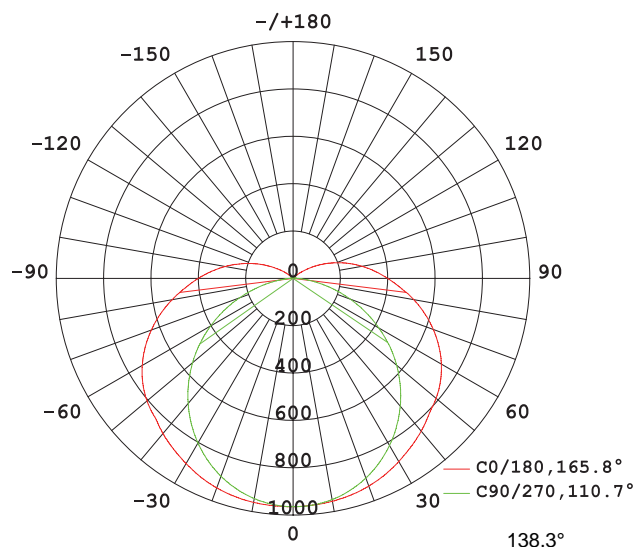
The mount brackets keep adjustable space for easy correction.

LUMINAIRE PHOTOMETRIC

Cone illuminance Diagram:



Luminous Intensity Distribution Diagram:



Hykolity 60W LED Vapor Tight Light

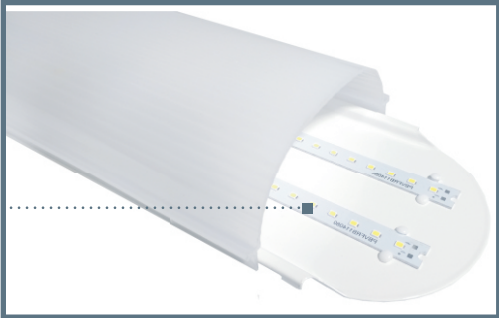
The IP65 non-corrosive that outperforms its competitors



ALL-POLYCARBONATE CONSTRUCTION. V0 fire retardant polycarbonate ensure high standard of safety and maximum impact rate of IK08.



STAINLESS STEEL CHIPS with hole design. Can be opened or locked easily by hand.



REVOLUTIONARY DESIGN. Advanced design of polycarbonate diffuse integrated with lighting tray provide significant protection on LEDs and saving on installtion and maintenance.

WARNING :

- The light source contained in this luminaire shall only be replaced by the manufacturer or his service agent or a similar qualified person.
- If the external flexible cable or cord of this luminaire is damaged, it shall be exclusively replaced by the manufacturer or his service agent or a similar qualified person in order to avoid a hazard.
- Maximum number/power of fittings for loop in/out power option: 10 units/ 600W

Hykolity 60W LED Vapor Tight Light

APPLICATIONS

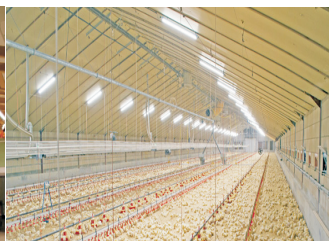
- Wet areas
- Outside walkways
- Warehouses
- Storage areas
- Industrial units
- Farm buildings (Non-corrosive atmosphere)
- Garages
- Workshops
- Car parks
- Changing rooms
- Resistant to impact and many chemical agents, but for suitability in specific environments please take specialist advice

CONSTRUCTION

- White coloured polycarbonate
- Polycarbonate diffuser integrated with powder coated lighting tray
- Stainless steel clips
- Reinforced drill points in base for direct surface fixing, or conduit suspension.
- Stainless steel surface mounting clips
- Can also be suspended from wire/chain using clips provided



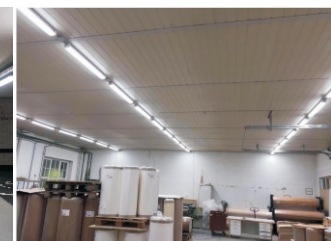
Supermarket



Farm buildings

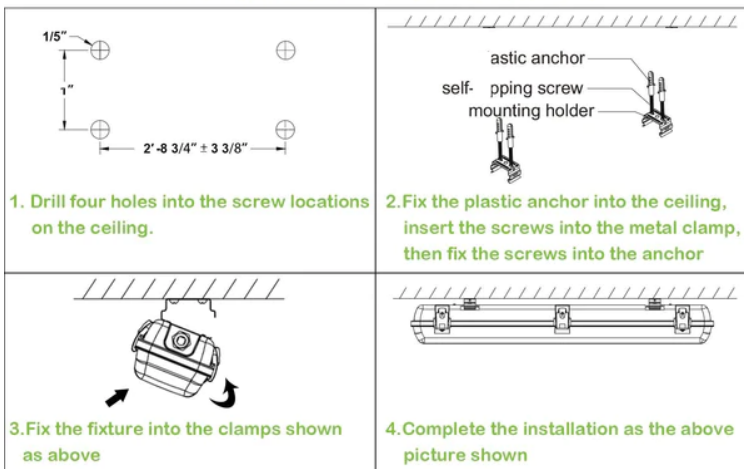


Parking lot lighting

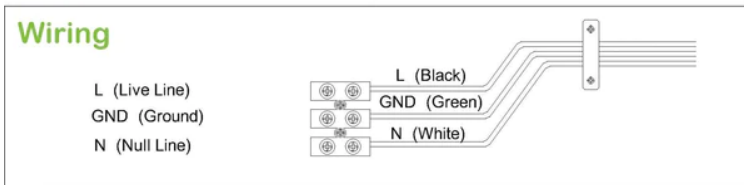


Warehouses

INSTALLATION



Accessories Included



⚠ WARNINGS AND CAUTIONS

- Make sure that the supply voltage corresponds to the rated product voltage(100-277VAC).
- If the product is damaged, do not use it.
- All wiring connections should be capped with IEC approved wire connectors.
- The light source contained in this luminaire shall only be replaced by the manufacturer or his service agent or a similar qualified person.

⚠ Warning: Turn off the power before installation