

hykology

inquiry@hykology.com

www.hykology.com

+1 (562) 456-0507



APEX SERIES LED HIGH BAY LIGHT

BRIGHT TRUSTED HIGH-QUALITY



TOP features

- High Light efficiency: 145LM/W
- Field-adjustable Power
- 4000K & 5000K Color Temperatures
- 120° Beam Angle
- Sensor function Available
- Input Voltage: 120V-277V
- 0-10V Dimmable
- DLC Premium, UL Listed



More Features

UL Listing:

Suitable for wet locations

LEDs:

Long-life, high-efficacy, micro-power LEDs

Lifespan:

Lumen Maintenance, L70 > 100,000 hours

Ambient Operating Temperature:

-40°C/-40°F to 50°C /122°F

Dimming Driver:

Driver includes dimming control wiring for 0-10V dimming systems.

Surge protection: 6kV Common Mode and 6kV Differential Mode.

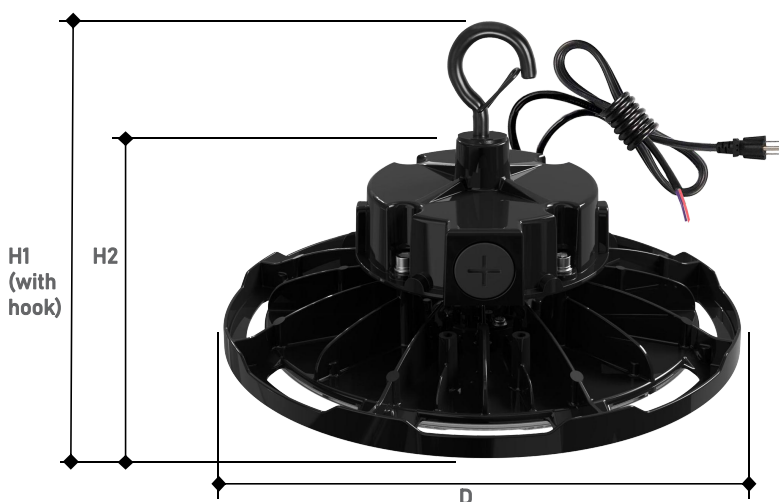
Housing and finish:

Aluminum Die Cast, long lasting black with high durability

Lens:

PC optical lens

Dimensions



Size unit: inch

Size	HBA-1512	HBA-2520
Diameter, D	10.2	13.4
Height 1, H1	6	6.2
Height 2, H2	4.1	4.3

[1] HBA-1512: 150W-120W-90W

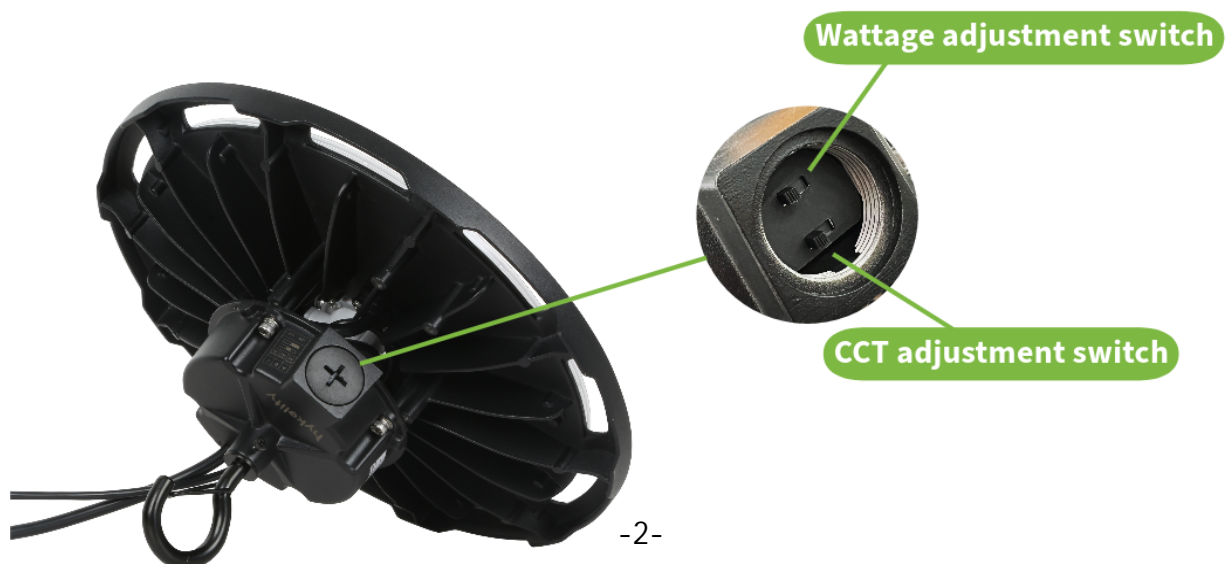
[2] HBA-2520: 250W-200W-150W

Specifications

Model	HBA-1512	HBA-2520
Power	150W-120W-90W	250W-200W-150W
Light Efficacy	145 LM/W	
Lumens	21750LM-17400LM-13050LM	36250LM-29000LM-21750LM
CCT	5000K-4000K	
Beam Angle	120°	
Lifespan	>100,000 hours	
Input Voltage	120-277V	
Power Factor	>0.9	
Temperature	-40°C/-40°F to 50°C/122°F	
Dimming	0-10V Dimmable	
Mounting	Hook	
Certifications	DLC, UL, cUL Listed	
Warranty	5 Years	
Default Setting	150W 5000K	250W 5000K

CCT & Wattage Adjustment Instruction

Notice: Always turn off the power supply from main circuit breaker first!



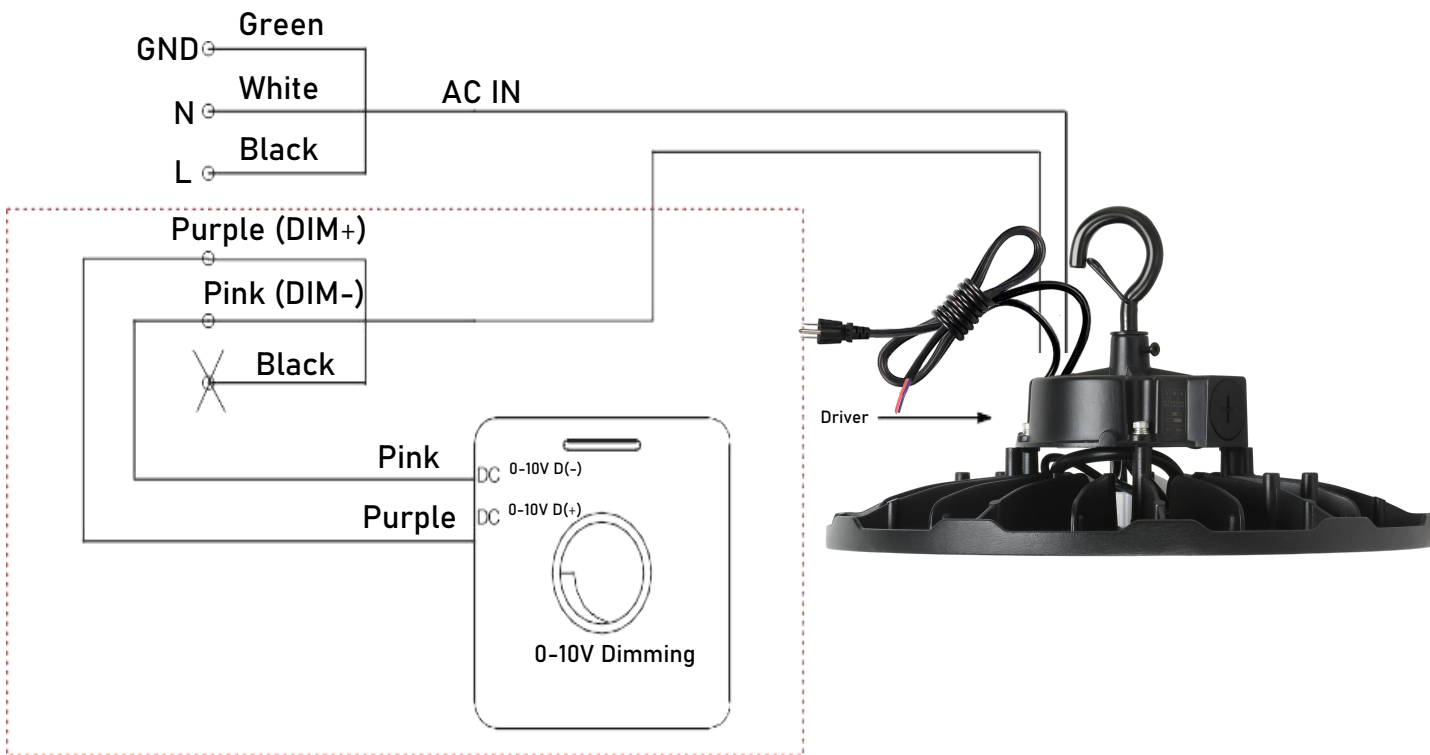
Installation Instruction

1. Screw the hook into the fixture and tighten it.
2. Hang the fixture on the ceiling using the installed hook, and secure the safety rope to the ceiling hook.
3. After installation, connect the fixture wires to the mains following the local wiring regulations.

Wiring Connection

Turn off the power, connect AC wire. black wire to L, white wire to N, and green wire to E. Dimmer connection (With dimmable driver.)

1. Compatible with 0-10V Dimming
2. Connect wires as below, purple wire is D+, pink wire is D-, cap black wire.



Notices

1. Risk of Burn: Disconnect power and allow the fixture to cool before changing the bulb or handling the fixture.
2. The green ground screw is provided in the proper location. Do not relocate.
3. Ensure a minimum 90° supply conductors.
4. Specifications and dimensions are subject to change without notice.
5. Suitable for dry or wet locations.

Please carefully review these instructions prior to installing the product and retain them for future reference. If you have any uncertainties or questions, please contact us at inquiry@hykoly.com or call (562) 456-0507 before initiating any work.

Important Safety Instructions

To minimize the risk of death, personal injury, or property damage involving fire, electric shock, falling parts, cuts/abrasions, and other potential hazards, it is imperative to thoroughly read all warnings and instructions included with and on the fixture box, as well as any fixture labels.

Before engaging in the installation, servicing, or routine maintenance of this equipment, adhere to the following general precautions:

Commercial installation, service, and maintenance of luminaires should only be carried out by a qualified licensed electrician.

For the installation process:

1. If uncertain about the installation or maintenance of the luminaires, seek guidance from a qualified licensed electrician and ensure compliance with your local electrical code.
2. To prevent wiring damage or abrasion, avoid exposing wiring to the edges of sheet metal or other sharp objects.
3. Do not create or modify open holes in an enclosure of wiring or electrical components during kit installation.
4. Prior to wiring the fixture to the power supply, turn off electrical power at the fuse or circuit breaker box.
5. Power should be turned off during any maintenance activity.
6. Verify that the supply voltage is correct by comparing it with the luminaire label information.
7. Ensure all wiring connections are capped with UL approved wire connectors.
8. Avoid direct eye exposure to the light source when it is illuminated.
9. Account for small parts and dispose of packing material properly, as these may pose hazards to children.

Your safety is our utmost priority. Please adhere to these instructions diligently to ensure a secure and hazard-free installation and operation of the fixture.