



inquiry@hykology.com

www.hykology.com

+1 (562) 456-0507



ACE SERIES LED UFO HIGH BAY LIGHT

BRIGHT

TRUSTED

HIGH-QUALITY

ACE SERIES LED UFO HIGH BAY

INSTALLATION INSTRUCTIONS

- Thank you for purchasing our UFO high bay light. Please read the below articles carefully to see how to use this product safely.
- Warning contents and attention contents related to product safety use, please be sure to follow it.

⚠ Warning

- This UFO High bay within the input voltage range: AC100-277V , 50/60Hz.
- If input voltage exceeds this range, it may cause tube failure. Please be sure to operate under correct input voltage.
- Ensure ambient operating temperature of -22°F(-30°C)through 122°F(50°C) .
- Using this UFO High bay in temperatures outside of this range will reduce the UFO High bay lifespan.
- Make sure to turn off power before starting the installation process.

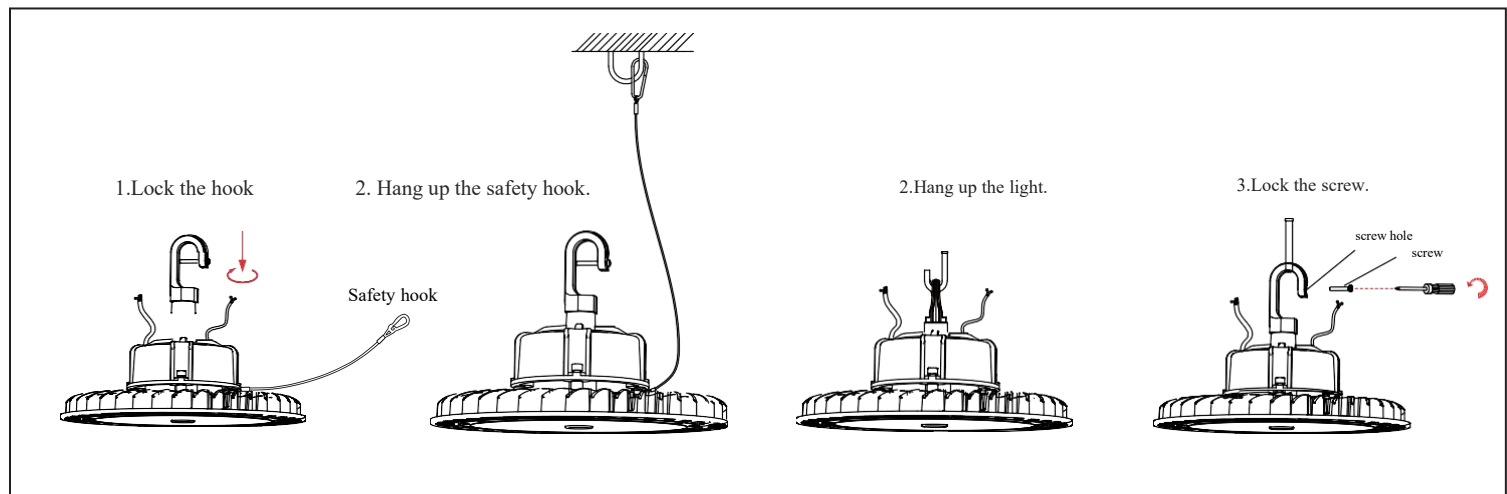
⚠ Attention

- IP rating: IP65, can work under wet locations.
- Please keep the UFO High bay away from any corrosive substance. When you clean it, please use damp or dry cloth.

Model	UFODY-150W-QL-1	UFODY-200W-QL-1	UFODY-250W-QL-1	UFODY-300W-QL-1
Power	150W	200W	250W	300W
Input Current	1.65A	2.2A	2.75A	3A
Input Voltage	AC100-277V			
Frequency	50/60Hz			
CCT	5000K			
Efficacy	130LM/W			
CRI	80+			
Beam Angle	120°			
Lumens	19500LM	26000LM	32500LM	39000LM
Certification	ETL Listed			
Lifespan	>50,000 Hours			
IP Rating	IP65			
Housing Color	Black			
Dimming	0-10V			
Mounting	Hook			
Warranty	5 Years			

Installation Instruction

1. Hook type:



ACE SERIES LED UFO HIGH BAY

INSTALLATION INSTRUCTIONS

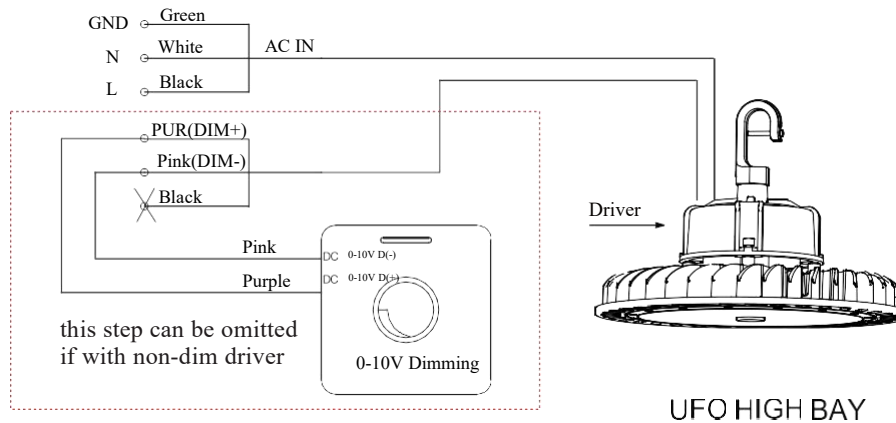
Wiring Connection

Turn off the power, connect AC wire. black wire to L, white wire to N, and green wire to E.

Dimmer connection (With dimmable driver.)

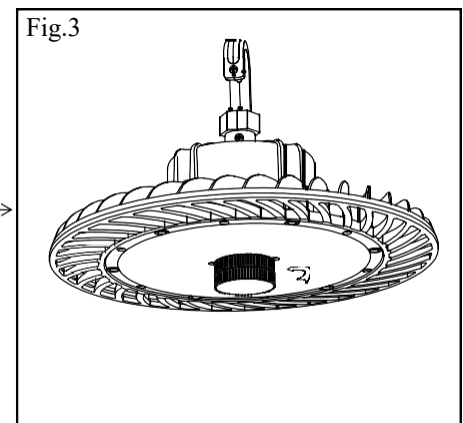
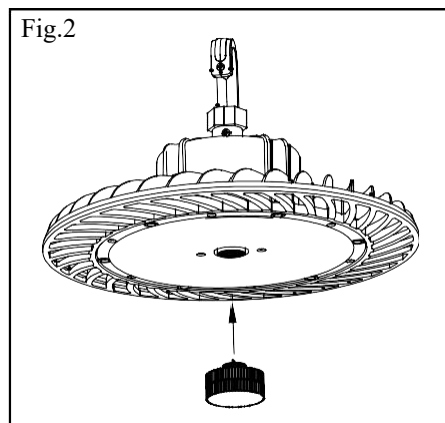
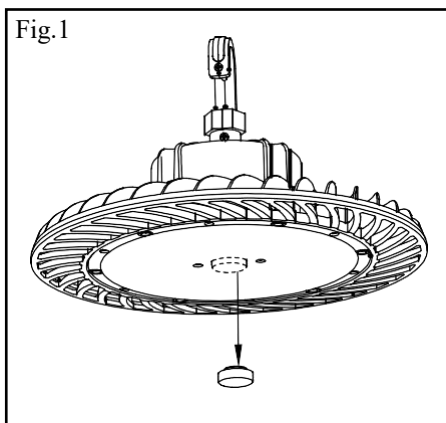
1. Compatible with 0-10V Dimming

2. Connect wires as below, purple wire is D +, pink wire is D -, cap black wire.



Optional Feature Motion Sensor

Motion Sensor Installation instructions



1. Remove the white rubber ring on the fixture, as shown in Figure 1.
2. Take out the sensor and install it according to the corresponding position, as shown in Figure 2.
3. Tighten the sensor, and then turn on the fixture to see if it works normally, as shown in Figure 3.

ACE SERIES LED UFO HIGH BAY

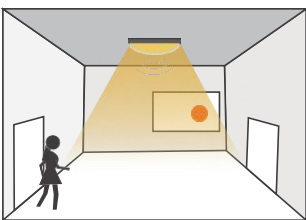
INSTALLATION INSTRUCTIONS

Motion Sensor Specifications

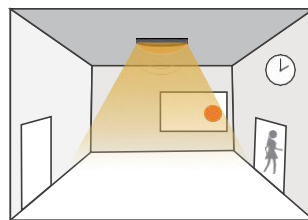
Input	Working Voltage	5~24V DC
	Working Current	33mA
Output	Output Signal	10V PWM (0-10V optional)
Parameters	Microwave Frequency	5.8GHz±75MHz
	Microwave power	<0.3mW
	Detection Sensitivity	100%/75%/50%/25% (Refer to remote control)
	Time Delay	5s/1min/3min/10min (Refer to remote control)
	Photosensitive Threshold	10Lux/25Lux/50Lux/Disable (Refer to remote control)
	Waiting Time	0s/10s/10min/+∞ (Refer to remote control)
	Waiting Brightness	20%/30% (Refer to remote control)
	Mounting Height	Max.42ft (surface mount)
	Detection Distance	Radius 19ft (mounting height 42ft)
	Detection Angle	30°-150°
	Working Temperature	-30°F~158°F
IP Grade	IP65	
Remark	Factory default settings: detection sensitivity 100%, time delay 5s, photosensitive threshold disable, waiting time 0s.	

Inductive priority switch function: Photosensitive Threshold Disable, When the waiting time is set to 0s, the work is as shown below

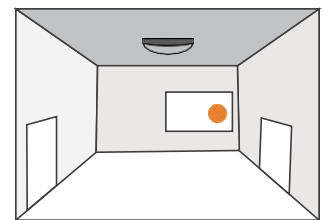
»



The light fixture automatically turn on to 100% brightness as long as someone passes through the detection area.



After the person leaves, the sensor does not detect anyone move around, the lights stay at 100% brightness and enter the delay time.



After the delay time or waiting time ends, The detector no longer detects movement, the lights Turns off automatically.

Thoroughly inspect the fixture for freight damage. Freight damage should be reported to the delivery carrier.

The Installation must be carried out by a qualified electrician.