

20W Dusk to Dawn LED Security Light



Description

Hykology's LED Dusk To Dawn Photocell Security Flood Lights are the easy, maintenance free solution to outdoor area lighting needs in residential or commercial applications.

Features:

- 1 **D2D** - Dusk to Dawn sensor automatically turns on at dusk and off at dawn.
- 2 **Adjustable** - Tool-free rotatable dual head, adjustable detection range to meet your different requirements.
- 3 **Die-casting aluminum** housing with clear lens.
- 4 **IP66 Waterproof**, suitable for Outdoor/WET location.
- 5 **Easy and fast installation**. Installation accessories included, hang it up and wire it to light it on.
- 6 **Outstanding thermal solution** suit for usage in commercial application.

Specifications

Part No.	SL-202A-001(SC20W5K-1)
Power	20W
Lumen(±10%)	2200lm
Working Voltage	100-240VAC
Safety Certification	ETL&DLC standard
Beam Angle	> 100°
PF	>0.9
Equivalent	150W MH Equivalent
Light Color(CCT)	5000K
Lamp's Luminous(±10%)	110lm/W
CRI	Ra>80
Application	Outdoor Location
Life Span	≥50000H
LED Type	COB chip
Material Quality	aluminum
Module	Two Heads
Waterproof Rating	Wet Location
Storage temperature	-20~65℃
Operating temperature	-20~45℃ (the best in 25℃)
Environment humidity	40-90%RH
Warranty	5 years

Dimensions



Sensor parameter

Detection	Detection range	Delay time	Environment illumination	Install height	Installation method
180°	Maximum 12m (25°C)	5S-6Min	2lux-2000lux	1.8-2.5m	Open, Know facing down

Knob regulation

LUX: Adjust the PIR is working during the day or night.

When adjusted to "sun" position, the PIR work through the day.

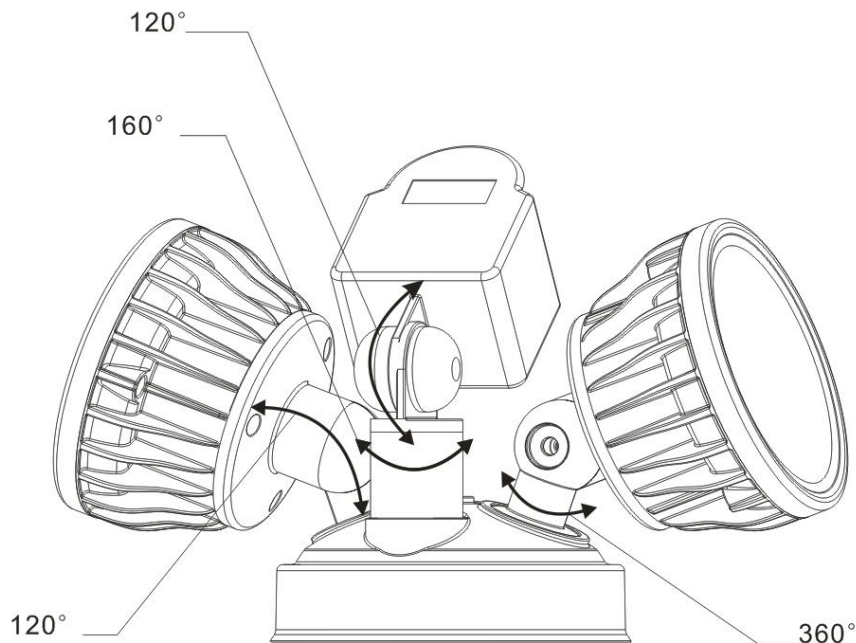
When adjusted to "moon" position, the PIR during the day does not work at night automatically enter the working state.

Time: Adjust delay time 5 Seconds-6minutes.

The PIR will delay turn off the switch, after people walk away detector area.

Sens: Adjust the PIR sensitivity.

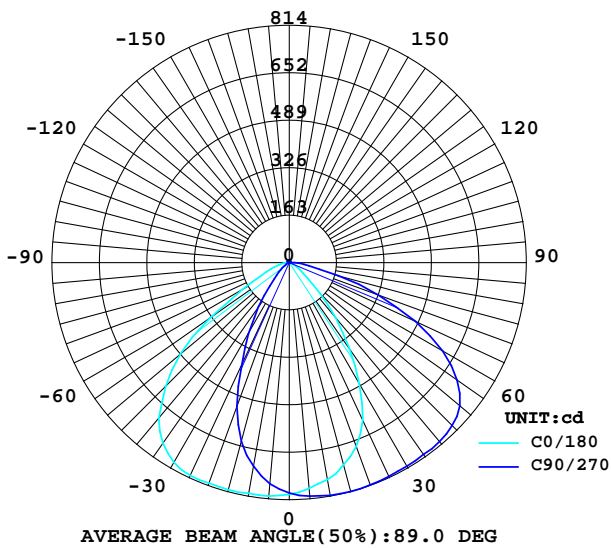
Rotatable angle



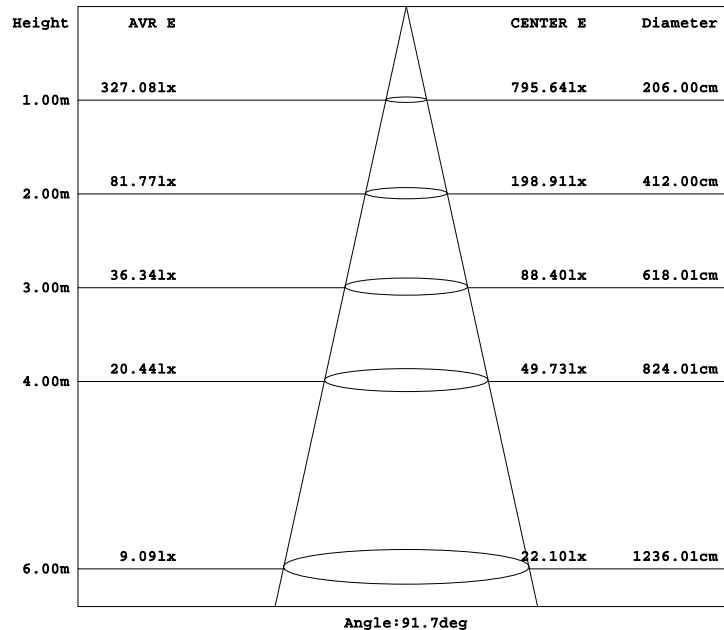
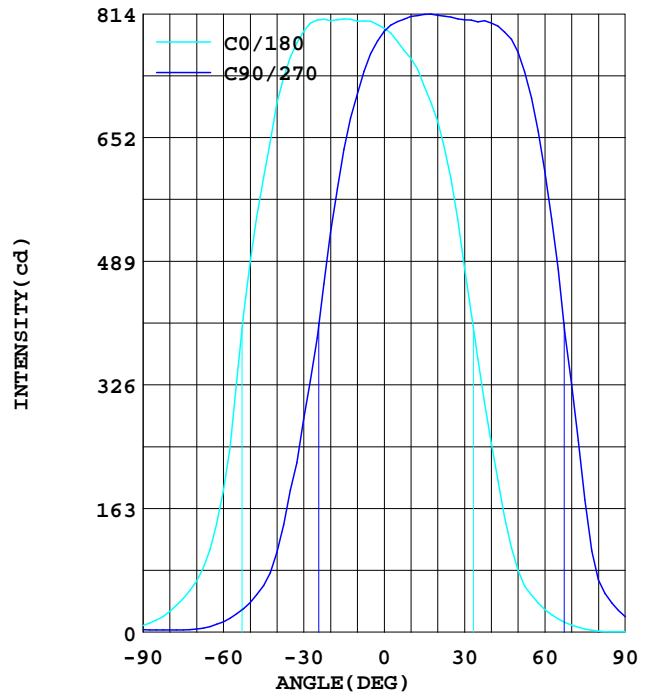
Optical Properties

DATA OF LAMP		Imax(cd)	814.4	S/MH(C0/180)	1.45
MODEL		EFFICIENCY(%)	100.0	S/MH(C90/270)	0.78
NOMINAL POWER(W)	20	TOTAL FLUX(lm)	1721.4	Voltage(V)	119.9
RATED VOLTAGE(V)	120	EFFICIENCY(lm/W)	84.6	Current(A)	0.171
NOMINAL FLUX(lm)	1721.5	η up(%)	1.7	Power(W)	20.36
LAMPS QUANTITY	1	η down(%)	98.3	Power Factor(PF)	0.993
TEST VOLTAGE(V)	119.9	Effective Flux(lm)	0.0	EEI	0.000

LUMINOUS INTENSITY DISTRIBUTION



LUMINOUS INTENSITY DISTRIBUTION



Applications

Application of LED Security Flood Light



Application of LED Security Flood Light



Widely Application

Can be mounted on walls and eaves Garages, Barns, Dock, Farms, Storage room, Workshop, Equipment room
Alleyways, Roadway, Parking lots, Sidewalk, Porch, and commercial usage as over night security, area and
perimeter lighting.

Typical Mount Height: 6 to 10 feet.

Packing/weight

Part NO.	Outer Carton Size(inch)	Qty/Carton(pcs)	Net weight (lbs)	Gross weight (lbs)
SL-202A-001(SC20W5K-1)	22.64"*1.80"*13.78"	8	15.00	19.40