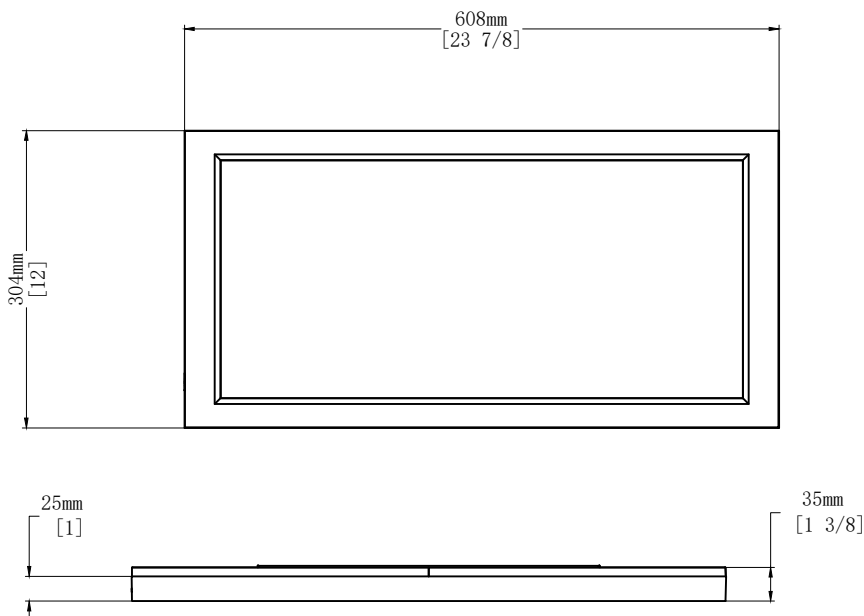
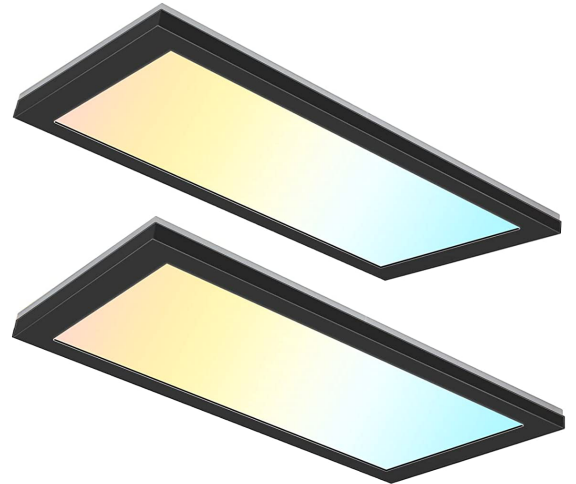
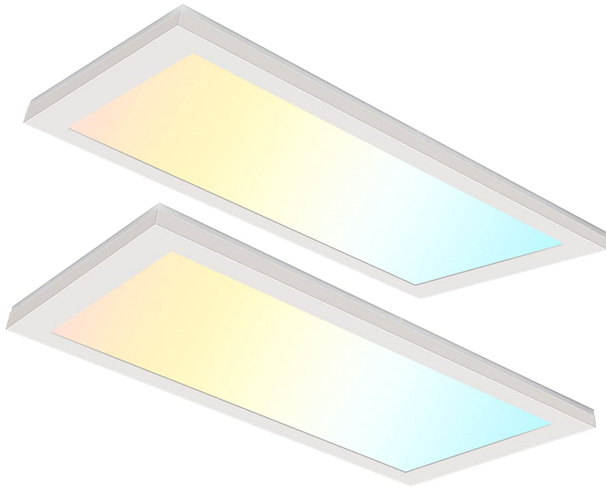
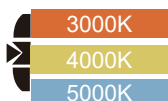


LED Panel Light With Night Light IPN1020 Series



Adjust color
of light with
integrated switch



LED Panel Light With Night Light IPN1020 Series



Selectable Color Temperature

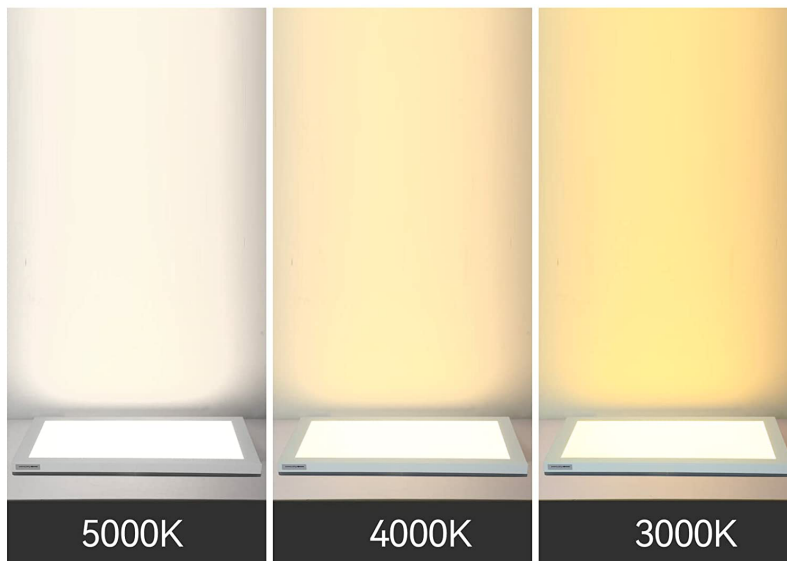
Decorate your space with the perfect lighting solution that offers 3 color temperatures ranging from 3000K to 5000K.

FEATURES

- IC Rated
- Various Function Choices, 3CCT Selectable
- High Brightness with efficient LEDs and Driver
- ETL Approved
- Easy and Quick installation
- Shatter Resistant
- Excellent Color Consistency and CRI
- Smooth, Uniform Dimming

WIDE APPLICATION

Office room, Conference room, class room, shopping mall, super market, hallways, School, retailer shops, hospital, laboratory, dust-free workshop, etc



Simple Mounting Bracket



Security Support Wire



Accessories kits included



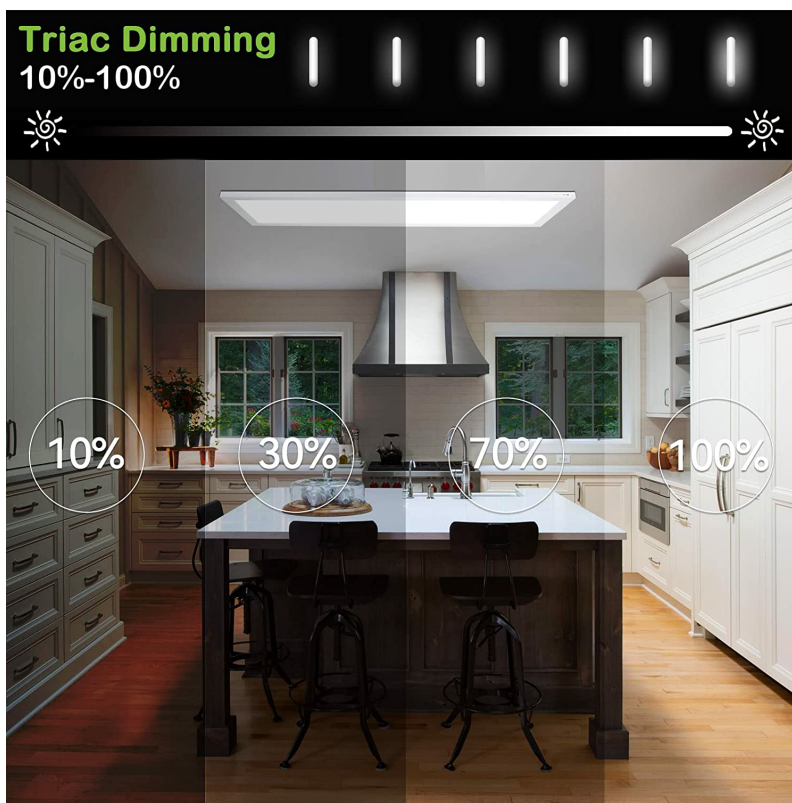
CCT Dip Switch
(3000K/4000K/5000K)



LED Panel Light With Night Light IPN1020 Series



DIMMABLE - Smooth dimming range (10%-100%) that helps create perfect ambiance.



Switchable night light 2000K, only Open- close - open switch at once.



PRODUCT PARAMATERS

Code	Size	Color	CCT	Input Voltage	Power	CRI	Efficiency	Beam Angle
IPN1020-6CT	608*304*35mm	white/orb	3000K/4000K/5000K/ Night Light 2000K	120V	25W+5W	>80	100Lm/W	120°

LED Panel Light With Night Light IPN1020 Series



INSTALLATION INSTRUCTIONS

**READ PRIOR TO ATTEMPTING INSTALLATION
ALWAYS TURN OFF MAIN POWER BEFORE
INSTALLATION SHOULD BE CARRIED
OUT BY YOUR LOCAL ELECTRICIAN**

!WARNING -Risk of fire or electric shock. LED Kit installation requires knowledge of luminaire electrical systems. If not qualified, do not attempt installation. Contact a qualified electrician.

!WARNING -Risk of fire or electric shock. Install this kit only in luminaires that have the construction features and dimensions shown in the photographs and / or drawings and where the input rating of the retrofit kit does not exceed the input rating of the luminaire.

!WARNING -To prevent wiring damage or abrasion, do not expose wiring to edges of sheet metal or other sharp objects.

!WARNING -This equipment is intended to be installed only by qualified personnel. The installation must be made in accordance with the current edition to the National Electric Code and all applicable state and local building codes. The final installation must be approved by the appropriate qualified electrical/building inspector(s). Improper installation may result in a fire or electrical hazard. Be sure the electrical power to the circuit has been disconnected before installing this electrical system.

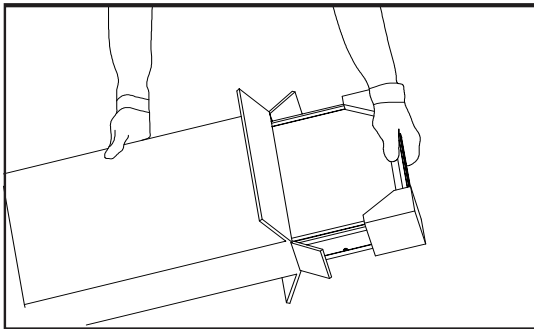
COMPATIBLE DIMMER LIST

Leviton: DSL06, TSL06,6674,6672-ILT,IPL06

Lutron: AYCL-153P,DVCL-153P

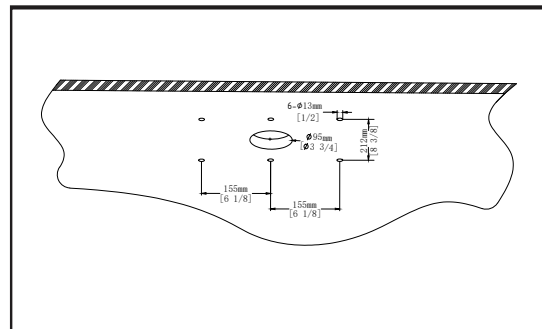
GE: 10464

Figure 1



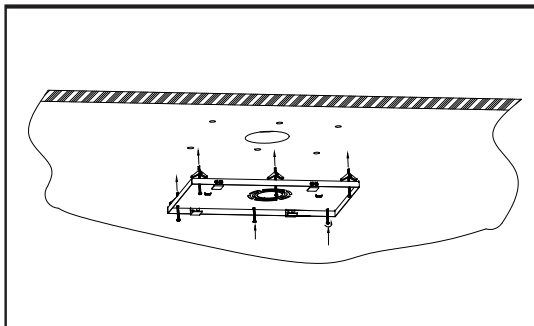
Carefully unpack unit and properly inspect for defects before installing. Wear work gloves to prevent dirt and oil from being transferred to the luminaire. If cleaning is needed, use gloves and a dry cottoncloth. It is not recommended to use hazardous chemicals.

Figure 2



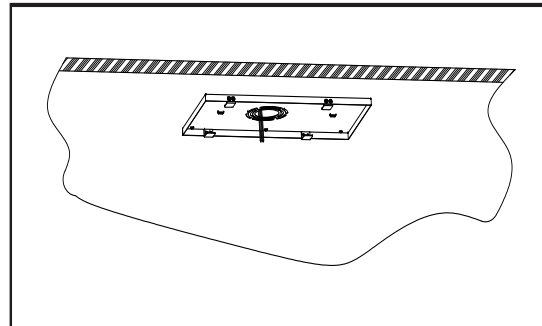
Mark the ceiling with reference to the Figure 2.

Figure 3



Remove the mounting backplane from the lamp. Drill eight holes where marked using a 1/2 in. drill bit. Remove the wings from the 3/16 in. toggle bolts. Insert a screw through the front of the mounting plate and reattach the wing to the screw. Repeat for all eight toggle bolts.

Figure 4

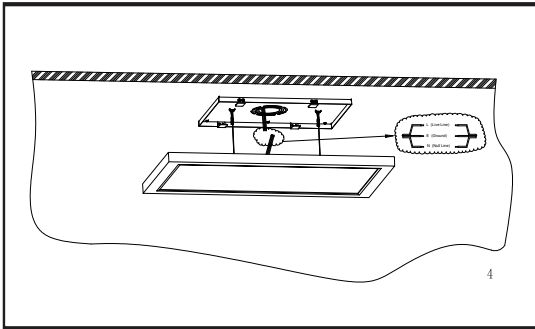


Pull out the line inside the ceiling.

LED Panel Light With Night Light IPN1020 Series

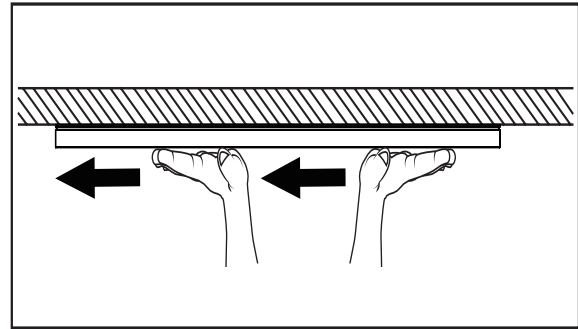


Figure 5



Use orange cap connect the ceiling wire with the lamp wire, Turn OFF the main power at the circuit breaker before installing the fixture. Identify the wiring: (black - line voltage, white - neutral and green - ground)

Figure 6



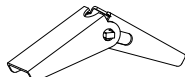
Once the fixture has been raised and is flush to the ceiling, lock the fixture by moving it towards the opposite direction it was raised.

HARDWARE INCLUDED

NOTE: Hardware not shown to actual size.



A



B



C

Part	Description	Quantity
A	Anchor Screws	6
B	Fastening Clip	6
C	Wire Nuts	3

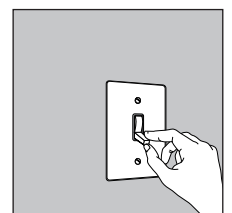
▲ SELECTING MAIN LIGHT OR NIGHT LIGHT MODE:

- Main Light: The factory setting is main light. It will be main light when you first turn it on every day.
Night Light: Turn off the main light and turn it on again within 2s.

■ Notes:

It will always turn on main light if the light has been turned off for more than 2s before you turn it on.

If you want to change to night light, please turn on the light within 2s after the main light off, otherwise the light will keep main light.



Wall Switch