

kWh meter Multiplier table

kWh meter Multiplier with potential transformers.

P.T. Vol. Ratio	600V:120V	480V:120V
Multiplier	2.89	2.31

kWh meter Multiplier for 200A Meter with different CT's.

mA C.T. Cur. Ratio	200:0.1A	400:0.1A	600:0.1A	800:0.1A	1000:0.1A	1200:0.1A
Multiplier	1	2	3	4	5	6

kWh meter Multiplier for 200A Meter with 5A instrument CT's.

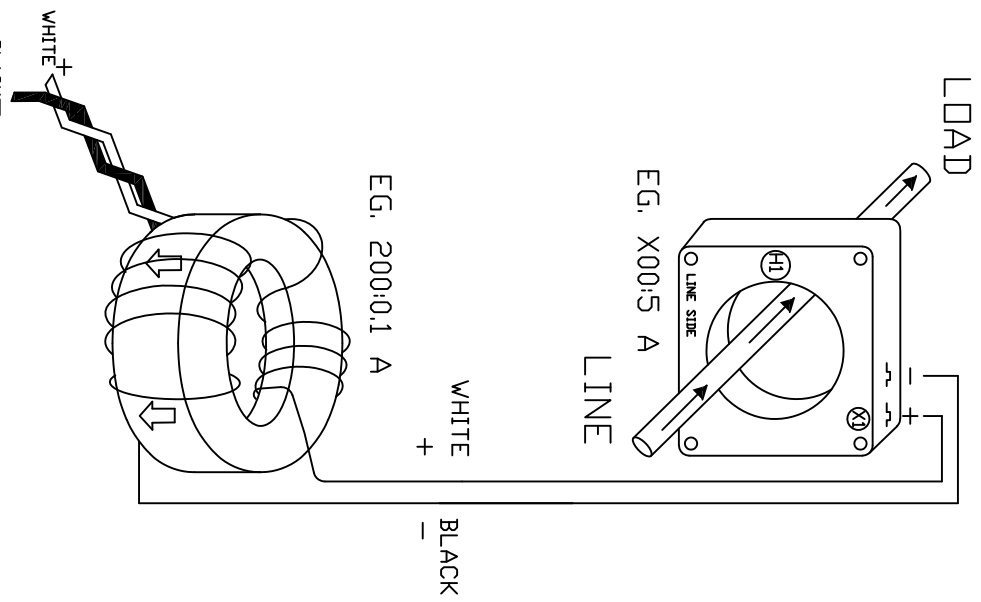
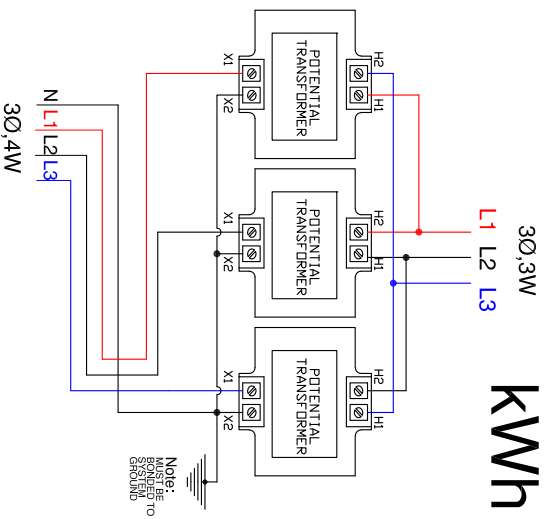
5A C.T. Ratio+20 Turns on 200:0.1A CT's	200:5A	400:5A	600:5A	800:5A	1000:5A	1200:5A
Multiplier	2	4	6	8	10	12

kWh meter Multiplier for 200A Meter

P.T. Vol. Ratio		600V:120V	480V:120V
mA C.T. Cur. Ratio	200:0.1A	2.89	2.31
	400:0.1A	5.77	4.62
	600:0.1A	8.66	6.93
	800:0.1A	11.55	9.24
	1000:0.1A	14.43	11.55
	1200:0.1A	17.32	13.86

kWh meter Multiplier for 200A Meter

P.T. Vol. Ratio		600V:120V	480V:120V
5A C.T. Ratio + 20 Turns on 200:0.1A CT's	200:5A	5.77	4.62
	400:5A	11.55	9.24
	600:5A	17.32	13.86
	800:5A	23.09	18.48
	1000:5A	28.87	23.09
	1200:5A	34.64	27.71



1125 Squires Beach Road
 Pickering, Ontario L1W 3T9
 Phone: (905) 839-9199
 Fax: (905) 839-9198
 intellimeter.on.ca

Project Name:
 Distributor:
 Engineer:
 P.O.#
 Contractor:
 Date: 25/11/2019 Rev. 1
 Oct. 12, 2023 1
 Project #:
 Drawing #:
 Drawn: H.P.
 Checked: H.P.
 Drawing: H.P.