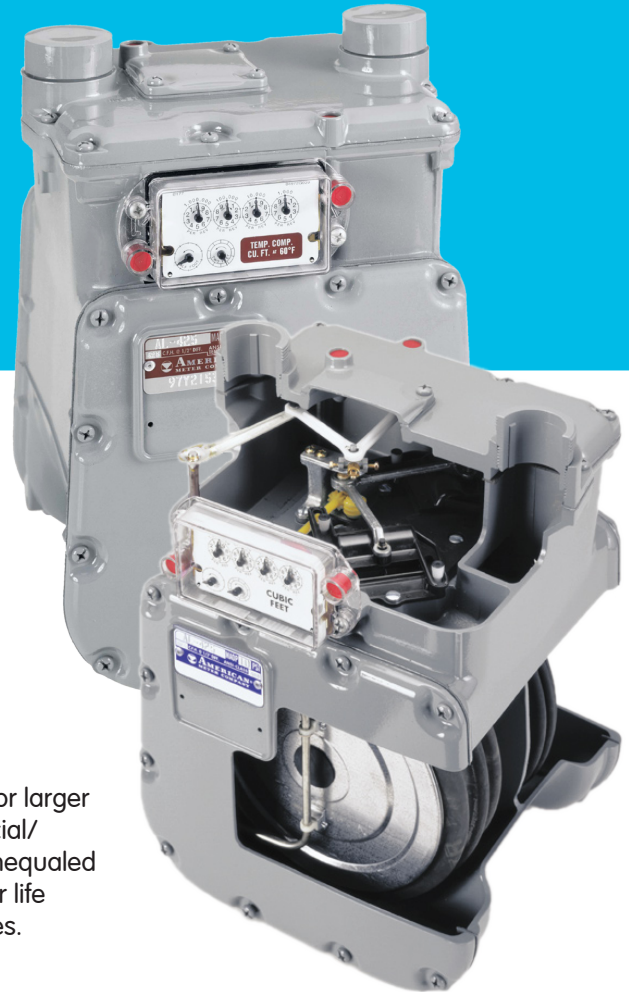


AL-425 Diaphragm Meter



Designed to meter a variety of gases for large residential/small commercial applications at pressures up to 25 PSIG and flow rates to 425 SCFH at 1/2" W.C. differential pressure

Features

- Die-cast aluminum case
- Oil-impregnated, self-lubricating bushings
- Molded, convoluted diaphragms for smooth operation and long life
- Rigid, reinforced flag rods for positive alignment and sustained accuracy
- Graphite-filled phenolic valves to minimize wear
- Long-life, low friction, grommet seals
- Single coat polyester primer with high solids polyurethane top coat
- Security seals that indicate tampering

Advantages

- Temperature compensation available from -30°F to 140°F (-34°C to 60°C)
- 425 SCFH (12.0 m³/h) (0.60 specific gravity gas) at 1/2-inch W.C. differential
- AMI/AMR compatibility
- Meets ANSI B109.1 specifications
- Measurement Canada accredited

Applications

The AL-425 is ideally suited for larger residential or small commercial/ industrial installations. It is unequalled for accuracy retention and for life cycle maintenance economies.

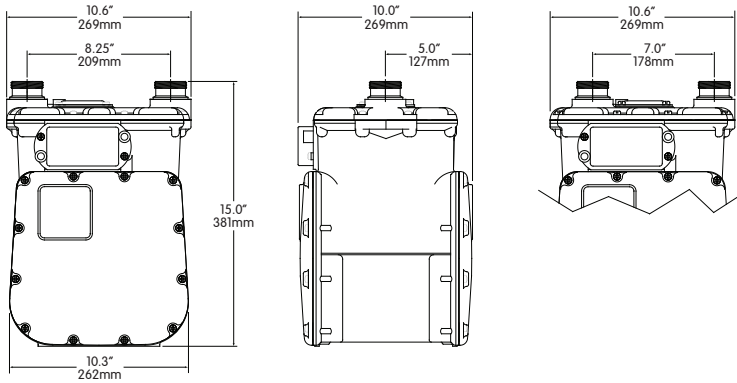
Options

- Regular or Temperature Compensated
- Pointer or odometer index
- 2ft³ or 0.05m³ drive
- 20 LT, 30 LT, 45 LT and other connection sizes
- 10 or 25 PSIG (690 or 1724 mBar) Maximum Allowable Operating Pressure (MAOP)
- Pressure compensating indexes
- Standard or UV protected index covers
- Meter bars
- Connection sets
- Remote Volume Pulsers
- 7" or 8.25" center-to-center connections



AL-425 Diaphragm Meter

Weight = 21 lbs



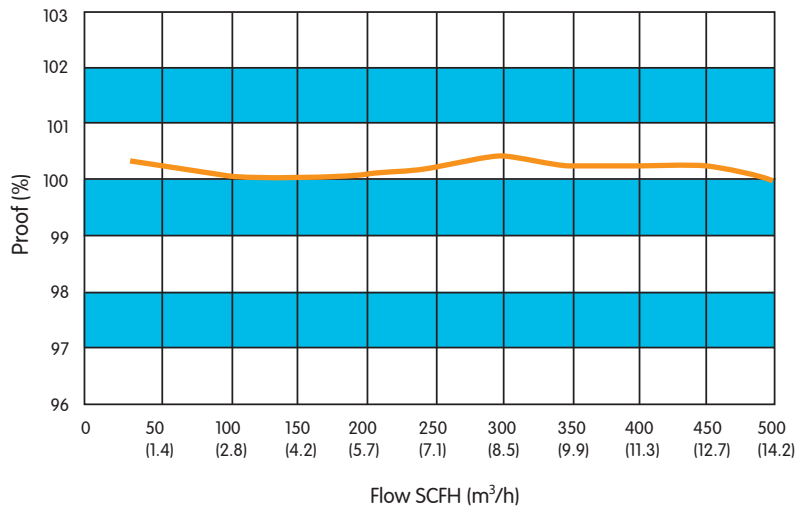
Capacities (0.60 specific gravity gas)

Line Pressure PSIG (mbar)	Differential Inches W.C. (mbar)	SCFH (m ³ /h)
0.25 (17)	1/2 (1.2)	425 ^{1,2} (12.0)
0.25 (17)	2 (5)	898 (25.4)
1 (69)	2 (5)	920 (26.1)
2 (138)	2 (5)	955 (27.0)
5 (345)	2 (5)	1038 (29.4)
10 (690)	2 (5)	1154 (32.7)
15 (1035)	2 (5)	1269 (35.9)
20 (1380)	2 (5)	1367 (38.7)
25 (1724)	2 (5)	1462 (41.4)

1 - Propane - 268 cfh (7.6 m³/h)

2 - Butane - 234 cfh (6.6 m³/h)

AL-425 Proof Curve



ISO 9001:2000



Certification No. 006697

EAM-DS3520.5-EN-P - November 2008
Supersedes EAM-DS3520.4-EN-P