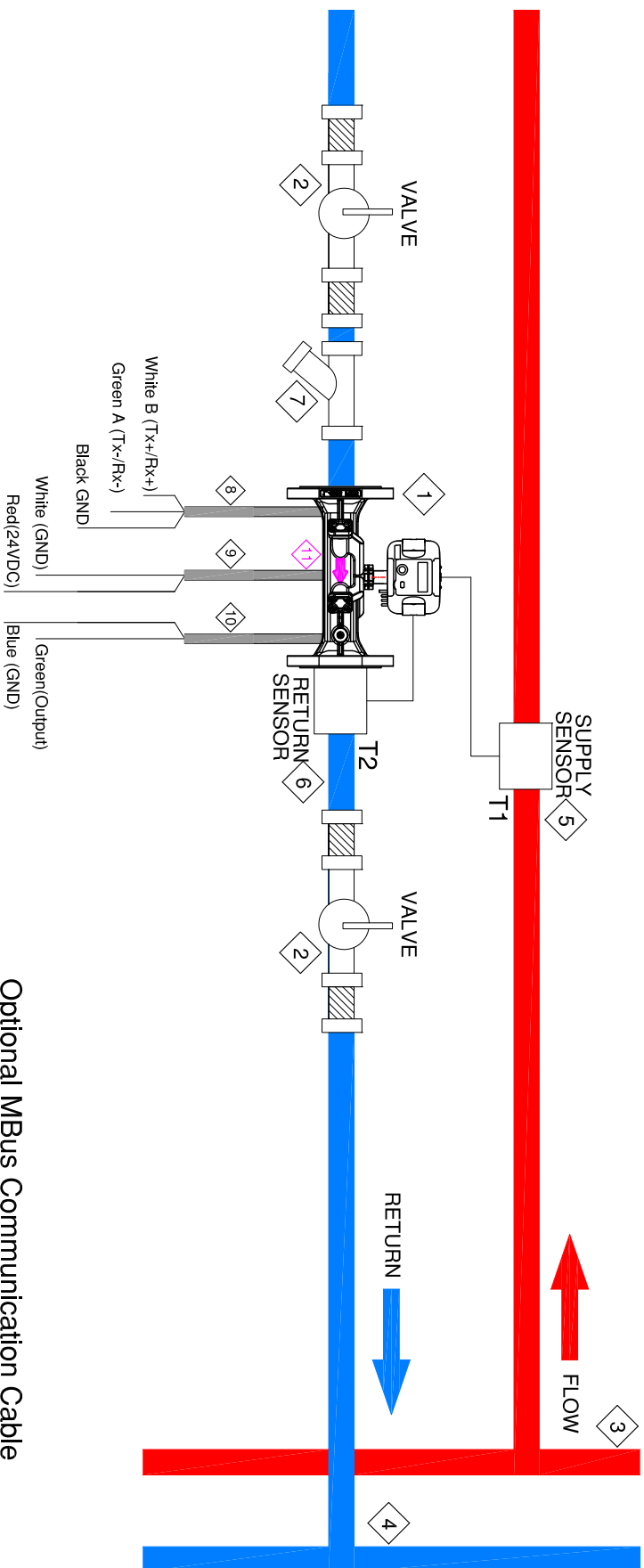
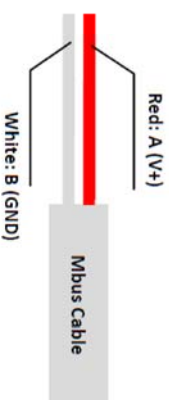


Typical Flanged BTU Meter Wiring diagram

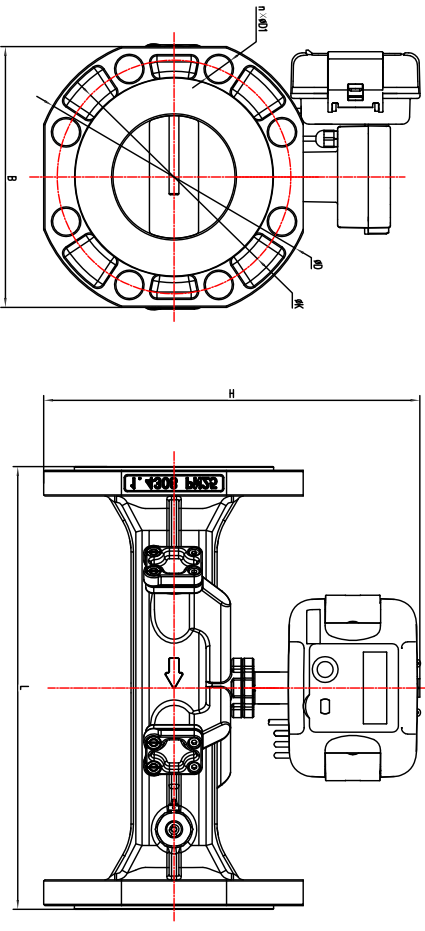
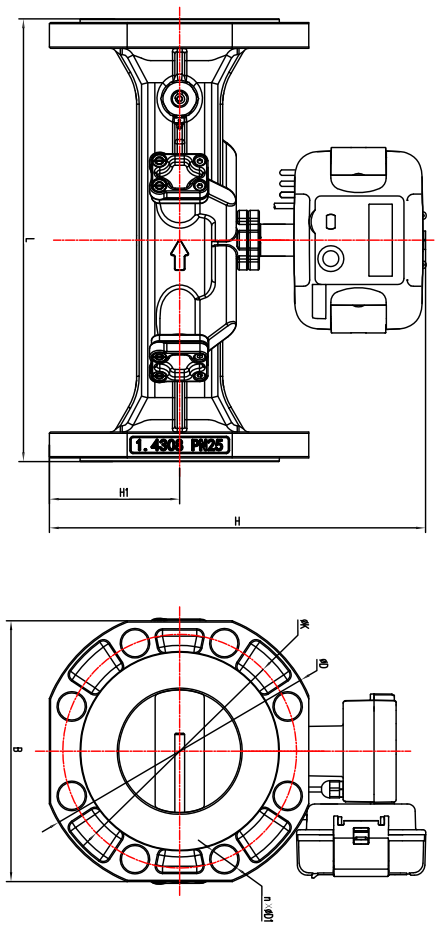


Optional MBus Communication Cable



NOTES

- 1 BTU METER
- 2 VALVE
- 3 SUPPLY PIPE
- 4 RETURN PIPE
- 5 SUPPLY SENSOR
- 6 RETURN SENSOR
- 7 Filter
- 8 RS-485 Communication Cable
- 9 24VDC Power Cable
- 10 Pulse output Cable
- 11 BTU meter Installation Direction



Combined Water Meter (PN25) Parameters		DN50 to DN100							
Features	ANSI 125 Flanged, Casting, Square Meter header, Two-Channel								
Internal Model	IC124BTU50mm-PO-MOD (For Modbus)	IC124BTU55mm-PO-MOD (For Modbus)	IC124BTU80mm-PO-MOD (For Modbus)	IC124BTU100mm-PO-MOD (For Modbus)	IC124BTU125mm-PO-MOD (For Modbus)	IC124BTU150mm-PO-MOD (For Modbus)	IC124BTU200mm-PO-MOD (For Modbus)	IC124BTU250mm-PO-MOD (For Modbus)	
Diameter DN(mm)	50	65	80	100	125	150	200	250	
Dimensions (PN25) L(mm)	270	300	300	360	350	350	350	400	
H(mm)	245	250	275	305	385	415	475	535	
B(mm)	155	170	190	212	250	275	338	400	
D(mm)	165	185	200	235	250	285	340	405	
K(mm)	125	145	160	190	210	240	295	355	
nXOD1(mm)	4XØ18	4XØ18	8XØ18	8XØ22	8XØ18	8XØ22	8XØ22	8XØ26	

1125 Squires Beach Road
 Pickering, Ontario L1W 3T9
 Phone: (905) 839-9199
 Fax: (905) 839-9198
 intellimeter.on.ca

Project Name:

Distributor:

Engineer:

P.O.#

Contractor:

Date: Rev.

Project #:

Drawing #:

Drawn: H.P.

Checked: H.P.

Drawing: Flanged BTU Meter

