

# Single and Multi-Jet Dry Water Meters

## Application

Single-jet dry type water meter application in sizes 15mm to 40mm (3/4", 1", 1 1/4", 1 1/2", 2") for cold water or hot water;



## *Features*

- Dry -dial, Magnetic drive, lower transmission resistance
- Magnetic shield, for external magnetic field protection
- Dry register and register with 5 or 8-digit roller
- Vacuum-sealed register, frost resistant, keeps clear reading for long time
- Register can rotate more than 360° for easily reading in any position

## *Standards Compliance*

- ISO 4064 Class B
- American Water Works Association (AWWA)

## *Optional Features*

- Brass body for 15mm ~ 20mm
- Equipped with reed switch, pulse output standard

## *Working Conditions*

- Water temperature: ≤ 40°C
- Water pressure: ≤ 1.6 MPa

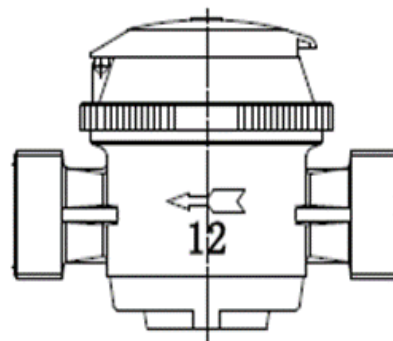
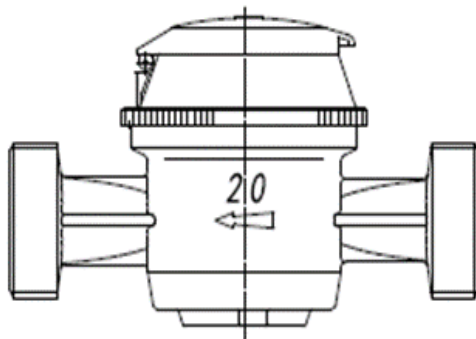
### Installation Requirements

- The meter should be installed in horizontal position with the register face upwards.
- The meter must be installed with the direction of the flow as in dictated by the arrow cast in the meter body.
- Pipeline must be flushed before installation.
- The meter should be constantly full of water during operation.

### Maximum Permissible Error

- In the lower zone from minimum flow rate ( $Q_{min}$ ) inclusive up to but excluding transitional flow rate ( $Q_t$ ) is  $\pm 5\%$ .
- In the upper zone from  $Q_t$  inclusive up to and including maximum flow rate ( $Q_{max}$ ) is  $\pm 2\%$

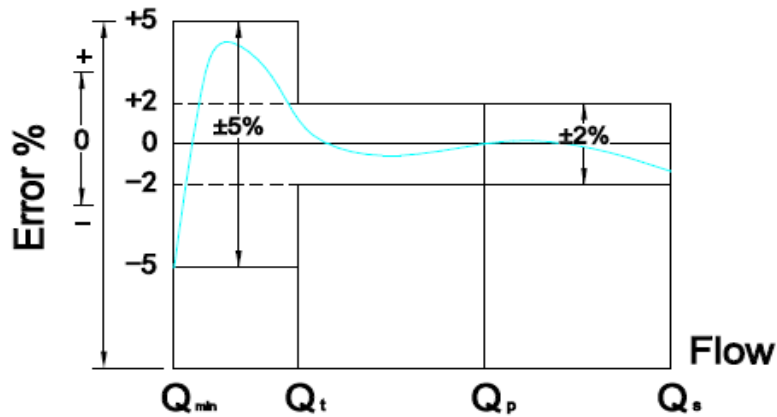
<b>Main Technical Data – Class B</b>				
<b>Nominal Size DN(mm) / Inhes</b>	<b>Overload Flow-Rate qs(m<sup>3</sup>/h) / gpm</b>	<b>Permanent Flow-Rate qp(l/h) / gpm</b>	<b>Transitional Flow-Rate qt(l/h) / gpm</b>	<b>Minimum Flow-Rate qmin(l/h) / gpm</b>
15 / ½	3 / 13.21	1.5 / 0.066	120 / 0.5283	30 / 0.1321
20 / ¾	5 / 22.01	2.5 / 0.110	200 / 0.8806	50 / 0.2201
25 / 1	7 / 30.82	3.5 / 0.154	280 / 1.2328	70 / 0.3082
32 / 1 ¼	12 / 52.83	6.0 / 0.264	480 / 2.1134	120 / 0.5283
40 / 1 ½	20 / 8.06	10 / 0.440	800 / 3.5223	200 / 0.8806



**Overall Dimensions and Weight – Tyre LXSG**

Size (mm) / Inches	Length (mm / Inches) L	Width (mm / Inches) W	Height (mm / Inches) H	Connecting Thread D	Weight (kg / Lb.)
15 / ½	110 / 4.33	77 / 3.03	80 / 3.15	G3/4”B	0.57 / 1.25
20 / ¾	130 / 5.11	77 / 3.03	80 / 3.15	G1” B	0.67 / 1.47
25 / 1	160 / 6.30	77 / 3.03	85 / 3.35	G1 1/4”B	0.91 / 2.00
32 / 1 ¼	160 / 6.30	101.5 / 4	120 / 4.72	G1 1/2”B	1.41 / 3.10
40 / 1 ½	200 / 7.87	101.5 / 4	200 / 7.87	G2”B	1.65 / 3.65

**Error Curve**



**Head Loss curve**

