

Single and Multi-Jet Dry Type Water



Features

- ◆ Single-jet dry type water meter application in sizes 15mm to 40mm ($\frac{1}{2}$ " , $\frac{3}{4}$ " , 1" , 1 $\frac{1}{4}$ " , 1 $\frac{1}{2}$ " , 2") for cold water or hot water
- ◆ Dry -dial, Magnetic drive, lower transmission resistance
- ◆ Magnetic shield, for external magnetic field protection
- ◆ Dry register and register with 5 or 8-digit roller
- ◆ Vacuum-sealed register, frost resistant, keeps clear reading for long time
- ◆ Register can rotate more than 360。 for easily reading in any position
- ◆ Standards Compliance
 - ISO 4064 Class B
 - American Water Works Association (AWWA)

intellimeter
CANADA INC.

Innovative Metering Solutions

1125 Squires Beach Road, Pickering, ON L1W 3T9
Tel: (905) 839-9199 • Fax: (905) 839-9198intellimeter.ca

www.intellimeter.ca


i-meter[®]
Innovative Metering Solutions

Optional Features

- ◆ Brass body for 15mm ~ 20mm
- ◆ Equipped with reed switch, pulse output standard

Working Conditions

- ◆ Water temperature: Cold water meters $\leq 30^{\circ}\text{C}$ / Hot Water meters $\leq 90^{\circ}\text{C}$
- ◆ Water pressure: $\leq 1\text{mPa}$ (PN:1.6 MPa/16bar)

Installation Requirements

- ◆ The meter should be installed in horizontal position with the register face upwards.
- ◆ The meter must be installed with the direction of the flow as in dictated by the arrow cast in the meter body.
- ◆ Pipeline must be flushed before installation.
- ◆ The meter should be constantly full of water during operation.

Maximum Permissible Error

- ◆ In the lower zone from minimum flow rate (Q_{\min}) inclusive up to but excluding transitional flow rate (Q_t) is $\pm 5\%$.
- ◆ In the upper zone from Q_t inclusive up to and including maximum flow rate (Q_{\max}) is $\pm 2\%$

Main Technical Data – Class B				
Nominal Size DN(mm) / Inches	Overload Flow-Rate qs(m³/h) / gpm	Permanent Flow-Rate qp(m³/h) / gpm	Transitional Flow-Rate qt(l/h) / gpm	Minimum Flow-Rate qmin(l/h) / gpm
15 / ½	3 / 13.21	1.5 / 6.6	120 / 0.5283	30 / 0.1321
20 / ¾	5 / 22.01	2.5 / 11.05	200 / 0.8806	50 / 0.2201
25 / 1	7 / 30.82	3.5 / 15.41	280 / 1.2328	70 / 0.3082
32 / 1 ¼	12 / 52.83	6.0 / 26.42	480 / 2.1134	120 / 0.5283
40 / 1 ½	20 / 88.06	10 / 44.03	800 / 3.5223	200 / 0.8806
50 / 2	30 / 132.09	15 / 66.05	3000 / 13.2086	450 / 1.9813

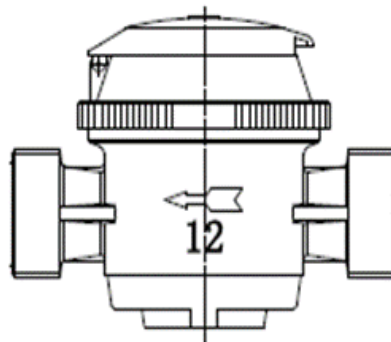
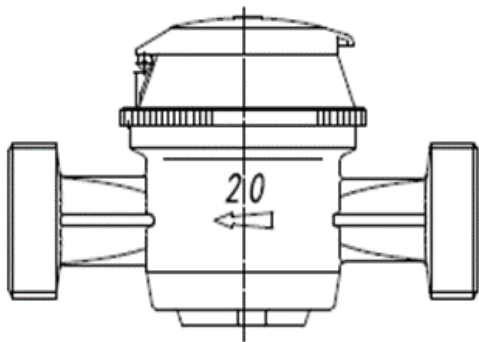


Innovative Metering Solutions

1125 Squires Beach Road, Pickering, ON L1W 3T9
Tel: (905) 839-9199 • Fax: (905) 839-9198intellimeter.ca



www.intellimeter.ca



Overall Dimensions and Weight – Tyre LXSG

Size (mm) / Inches	Length (mm / Inches) L	Width (mm / Inches) W	Height (mm / Inches) H	Connecting Thread D	Weight (kg / Lb.)
15 / ½	110 / 4.33	77 / 3.03	80 / 3.15	G¾" B	0.57 / 1.25
20 / ¾	130 / 5.11	77 / 3.03	80 / 3.15	G1" B	0.67 / 1.47
25 / 1	160 / 6.30	77 / 3.03	85 / 3.35	G1¼" B	0.91 / 2.00
32 / 1 ¼	160 / 6.30	101.5 / 4	120 / 4.72	G1½" B	1.41 / 3.10
40 / 1 ½	200 / 7.87	101.5 / 4	200 / 7.87	G2" B	1.65 / 3.65
50 / 2	300 / 11.81	125 / 4.92	155 / 6.10	G2½" B	7.2 / 15.87



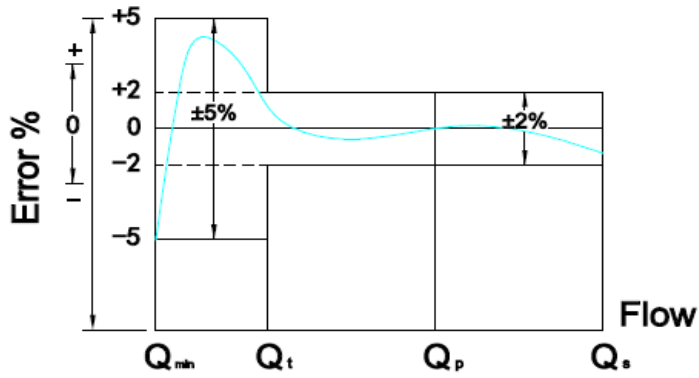
Innovative Metering Solutions

1125 Squires Beach Road, Pickering, ON L1W 3T9
Tel: (905) 839-9199 • Fax: (905) 839-9198intellimeter.ca

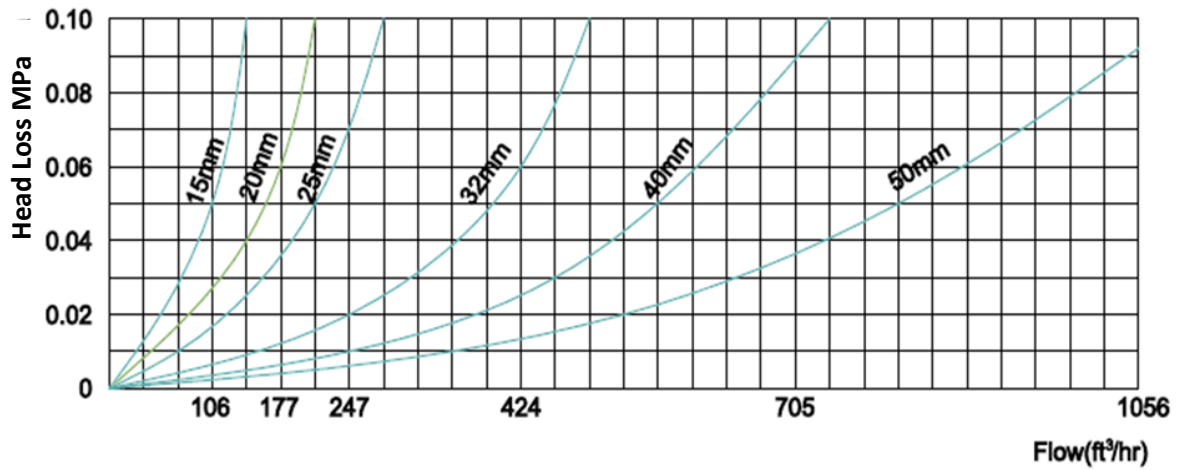


www.intellimeter.ca

Error Curve



Head Loss curve



intellimeter
CANADA INC.

Innovative Metering Solutions

1125 Squires Beach Road, Pickering, ON L1W 3T9

Tel: (905) 839-9199 • Fax: (905) 839-9198intellimeter.ca

www.intellimeter.ca

