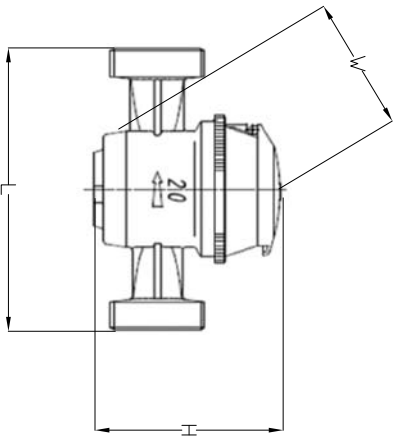
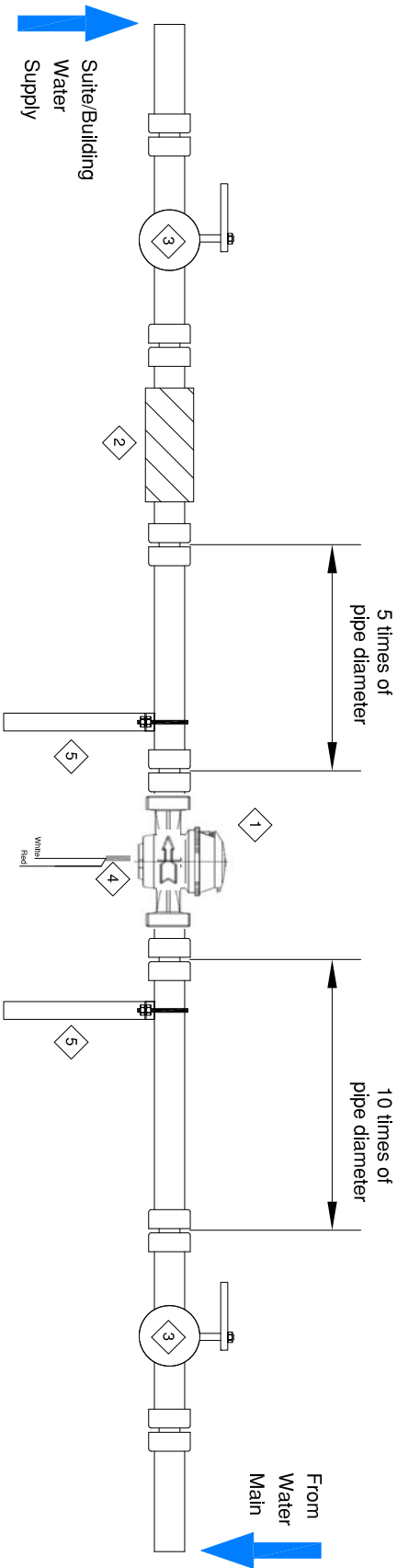
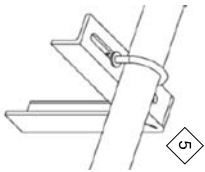


Mechanical water meter

NOTES

- 1 Water Meter
- 2 Backflow Preventer
- 3 Shut-Off Valve
- 4 Pulse output Cable
- 5 Water Meter Bracket Support



Overall Dimensions and Weight – Type LXSG

Size (mm) / Inches	Length (mm) / Inches L	Width (mm) / Inches W	Height (mm) / Inches H	Connecting Thread D	Weight (kg / Lb.)
15 / ½	110 / 4.33	77 / 3.03	80 / 3.15	G¾" B	0.57 / 1.25
20 / ¾	130 / 5.11	77 / 3.03	80 / 3.15	G1" B	0.67 / 1.47
25 / 1	160 / 6.30	77 / 3.03	85 / 3.35	G1½" B	0.91 / 2.00
32 / 1¼	160 / 6.30	101.5 / 4	120 / 4.72	G1½" B	1.41 / 3.10
40 / 1½	200 / 7.87	101.5 / 4	200 / 7.87	G2" B	1.65 / 3.65
50 / 2	300 / 11.81	125 / 4.92	155 / 6.10	G2½" B	7.2 / 15.87

Project Name: 1125 Squires Beach Road
 Pickering, Ontario L1W 3T9
 Phone: (905) 839-9199
 Fax: (905) 839-9198
 intellimeter.on.ca

Distributor: _____
 Engineer: _____
 P.O.# _____
 Contractor: _____
 Date: _____ Rev. _____
 Project #: _____
 Drawing #: _____
 Drawn: _____
 H.P. _____
 Checked: _____
 H.P. _____
 Drawing: _____
 Mechanical water Meter

