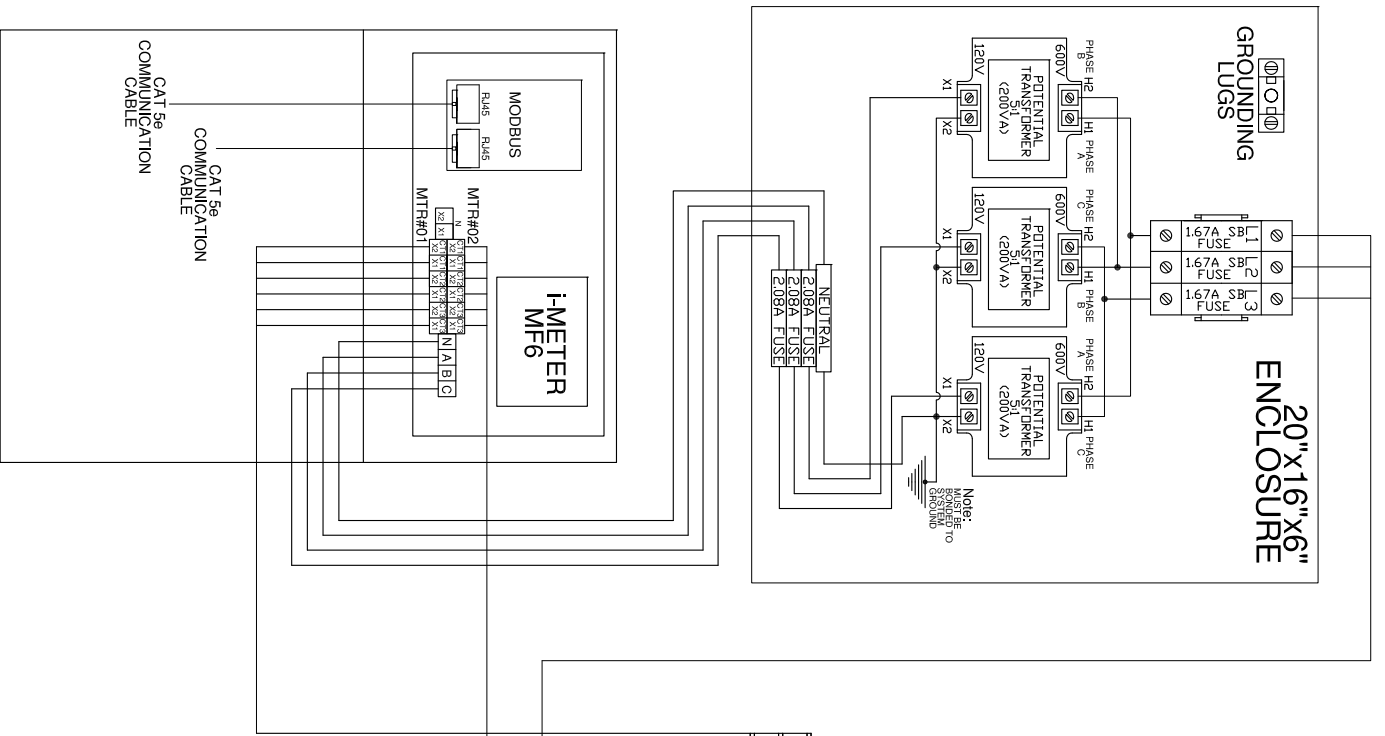


Typical MF6 Meter With PT'S

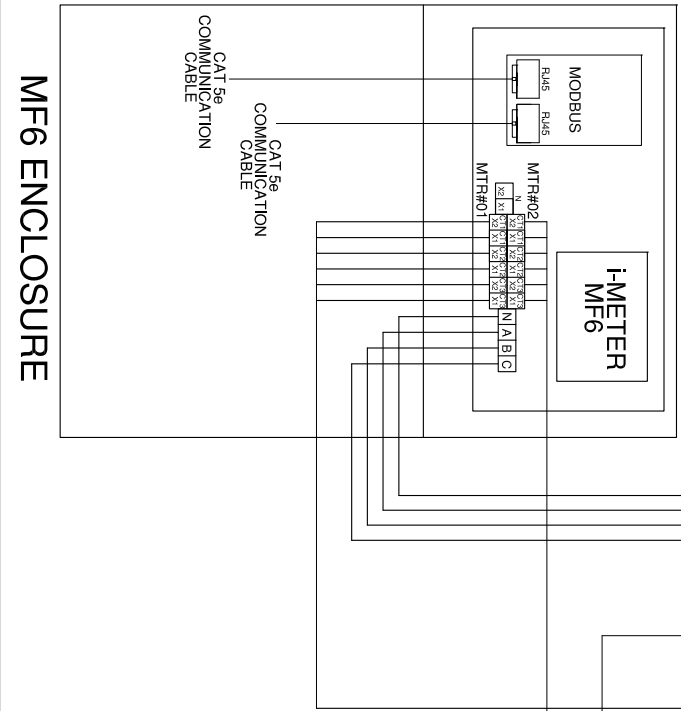


METER CENTER REFERENCE		600V 3Ø, 3W				METER CENTER REFERENCE	
METER NO.	BRK. AMP.	NO. OF POLES	PHASE	BREAKER NO.	BREAKER NO.	PHASE	METER NO.
METER 1	200A	3P	A	01	02	A	3P
			B	03	04	B	
			C	05	06	C	
METER 2	15A	3P	A	07	08	A	3P
			B	09	10	B	
			C	11	12	C	
CT NO.							
01							04
02							05
03							06

**15A 3P BREAKER
NEEDED FOR
VOLTAGE REFERENCE**

i-meter MF6-6

SUITE NO.	METER NO.
IS METERED BY	METER#01
IS METERED BY	METER#02



1125 Squires Beach Road
 Pickering, Ontario L1W 3T9
 Phone: (905) 839-9199
 Fax: (905) 839-9198
 intellimeter.on.ca

Project Name:
 Distributor:
 Engineer:
 P.O.#
 Contractor:
 Date: Rev:
 Project #:
 Drawing #:
 Drawn: C.H.
 Checked: H.P.
 Drawing: TYPICAL MF6 METER

