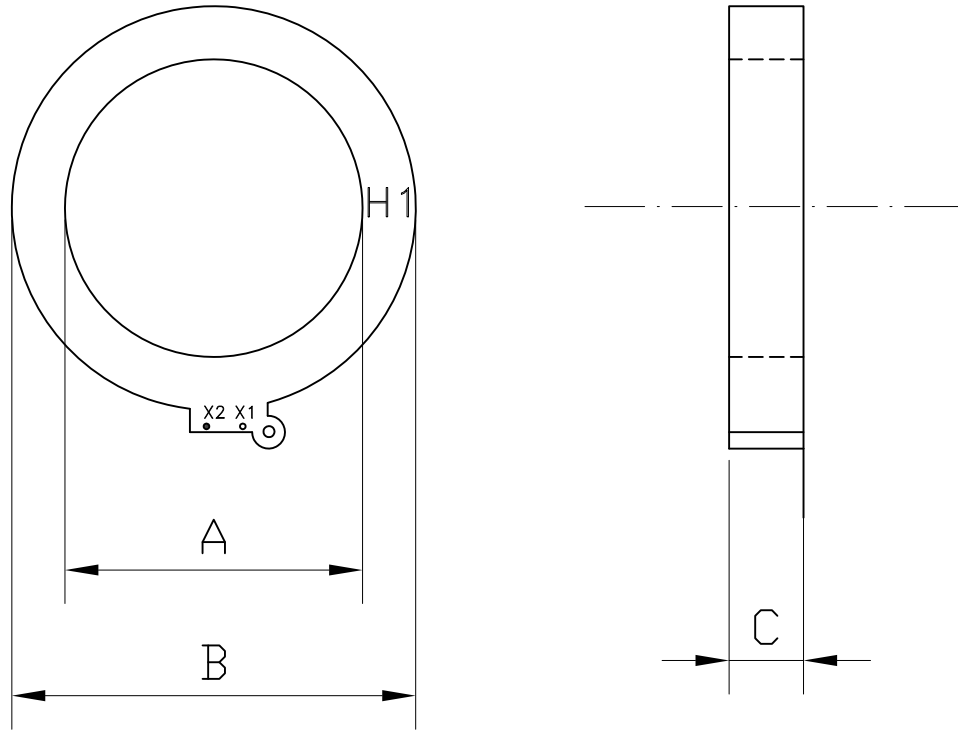


CURRENT TRANSFORMER (CT)

SPECIFICATION SHEET INT-CT601-NJ

MEASUREMENT CANADA APPROVAL AE-2566



TYPICAL DIMENSION(in)

*CLASS		A	B	C
PRIMARY LOAD	SECONDARY CT OUTPUT			
6-600A	Max. 0.1A	3.5	5.7	0.98

Rated current: 600A
 Accuracy class: 0.3 B0.005
 Rating factor: 1.25 @ 30°C amb
 Frequency: 50/60 Hz
 Voltage class: 600V 10KV BIL
 Secondary leads: (6ft) X1 (white) and X2 (black)
 Twisted #18 AWG 600V rated 105°C temp rating TEW
 Housing: UL94-V1 recognized material
 Polarization: primary dot on line side
 Complete with protection: bilateral switch (secondary 10V max)
 Arrow indicates line-to-load direction