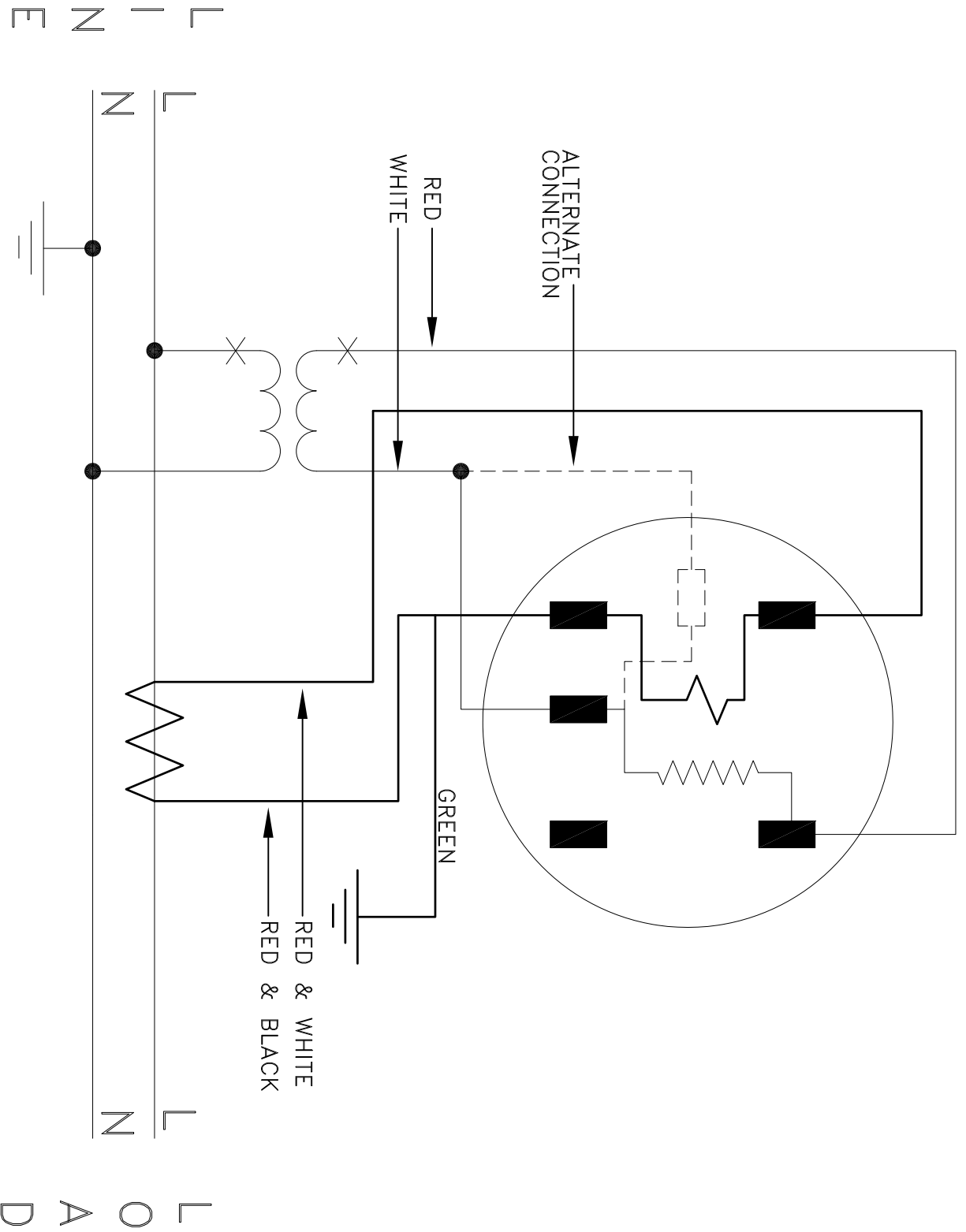


VISION METER CONNECTION DIAGRAM

2-Wire
FORM 3S - 1EL, 1Ø, 2W



1125 Squires Beach Road
Pickering, Ontario L1W 3T9
Phone: (905) 839-9199
Fax: (905) 839-9198
intellimeter.on.ca

Project Name:

Distributor:

Engineer:

P.O.#

Contractor:

Date:

 Rev.

Project #:

Drawing #:

Drawn:

Checked:

Drawing:
FORM 3S-
1EL, 1Ø, 2W