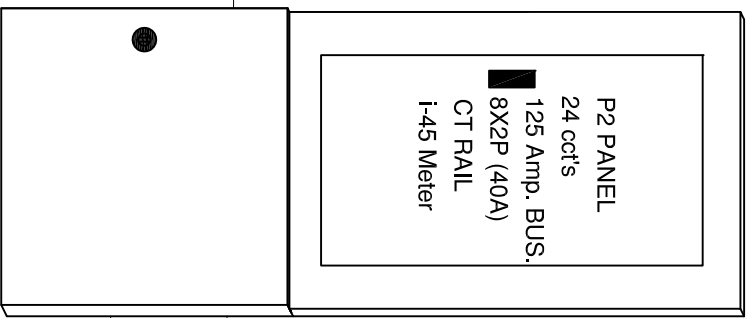
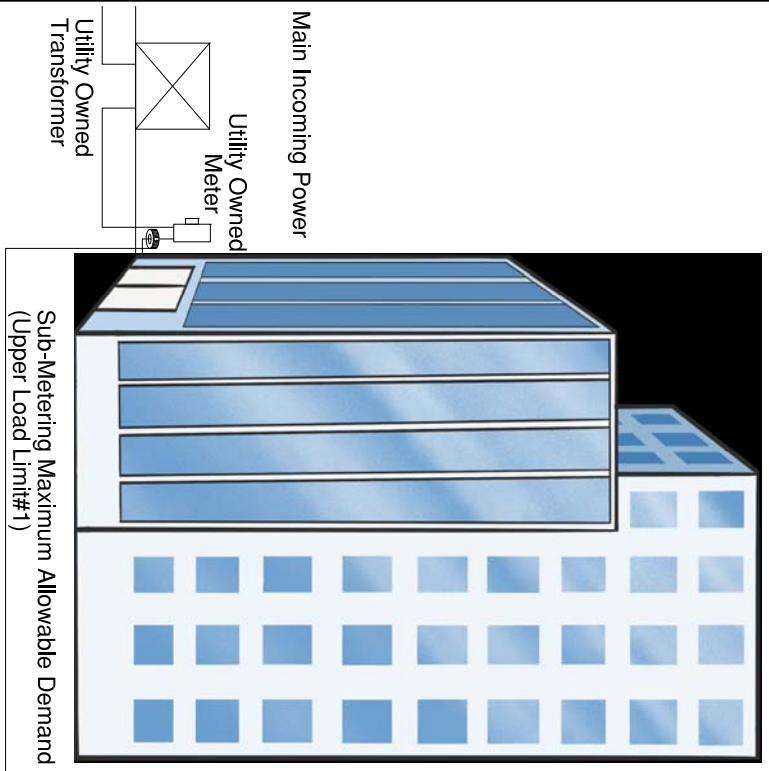
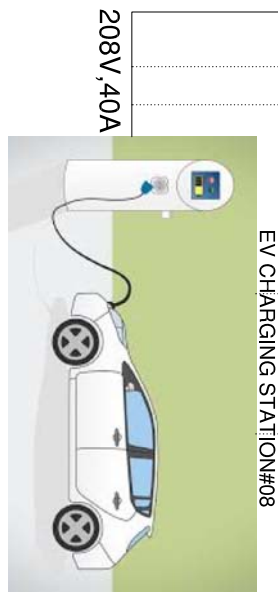


EVCMC-8 EV ENERGY MANAGEMENT SYSTEM



Metering Maximum Ampacity
(Upper load Limit#2)

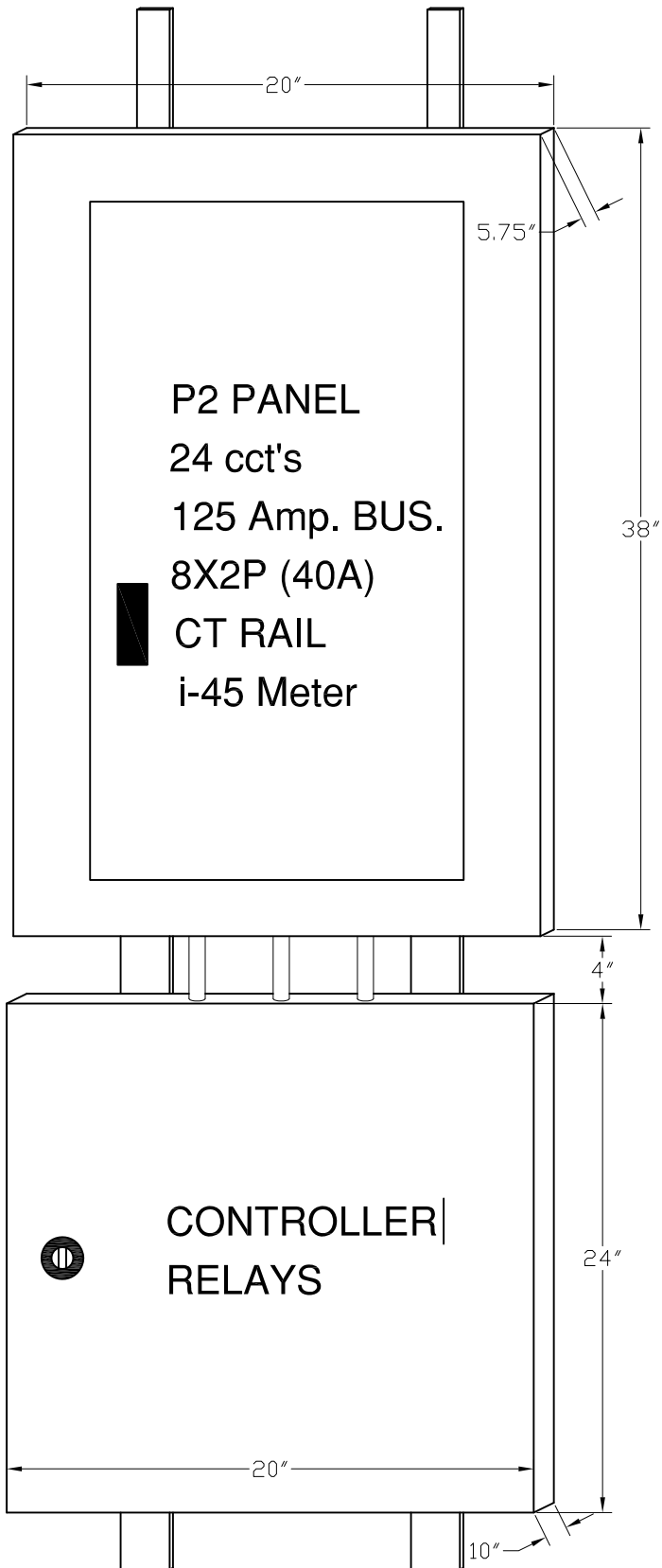


$$\Sigma \text{Car Loads} < \left\{ \begin{array}{l} \text{Upper Load Limit\#1} \\ \text{OR} \\ \text{Upper Load Limit\#2} \end{array} \right.$$

Project Name:	1125 Squires Beach Road Pickering, Ontario L1W 3T9 Phone: (905) 839-9199 Fax: (905) 839-9198 intellimeter.on.ca
Distributor:	
Engineer:	
P.O.#	
Contractor:	
Date:	31/12/2020
Rev.	
Project #:	
Drawing #:	
Drawn by:	Hossein Pakhn
Checked:	
Drawing:	

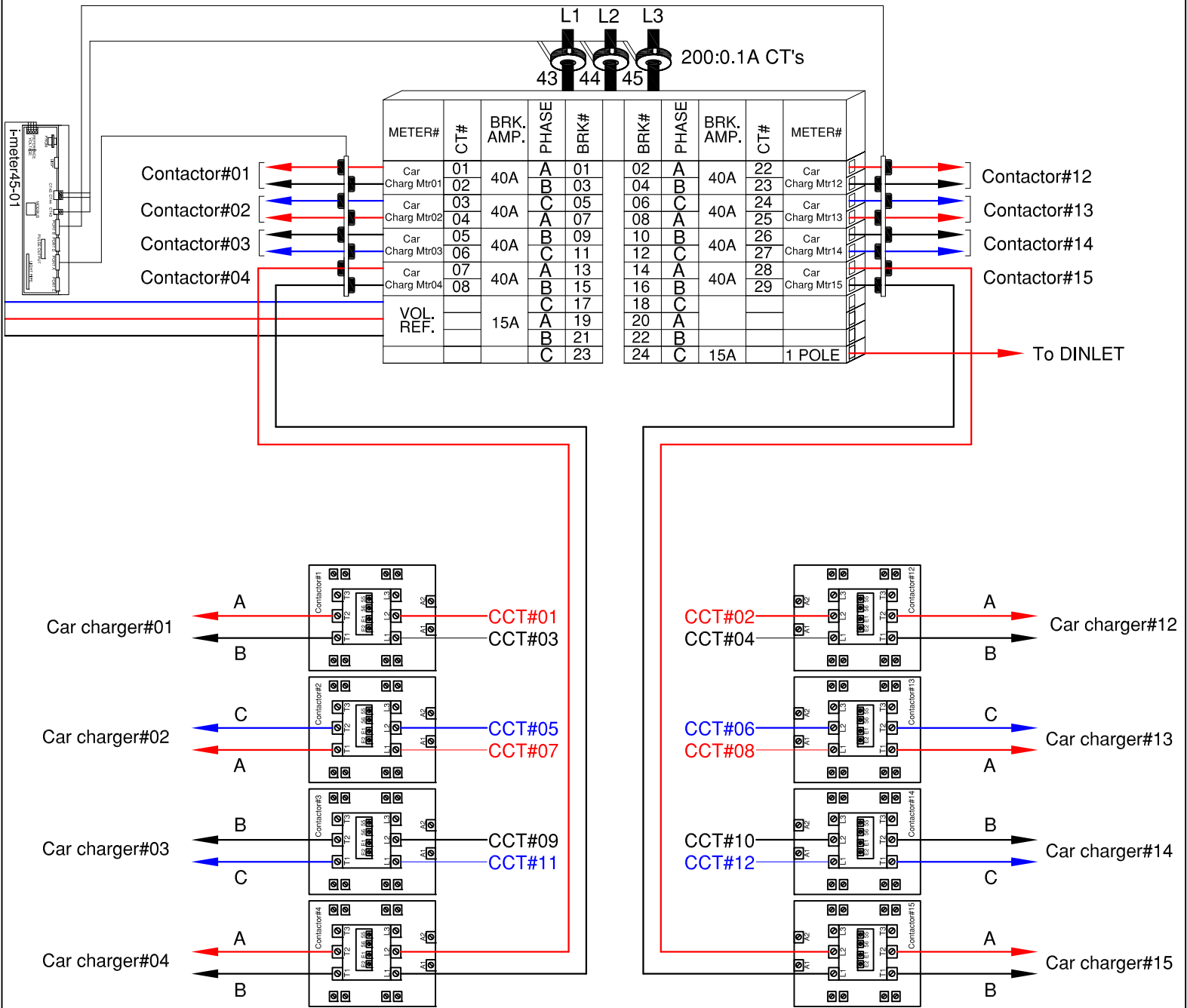
intellimeter
CANADA INC.
Innovative Metering Solutions

EVCMC-8 EV ENERGY MANAGEMENT SYSTEM



Project Name:	Distributor:	Engineer:	P.O.#	Date:	Rev.	Project#:	Drawing#:	Drawn by:	Checked:	Drawing:
								Hossein Pakbin		

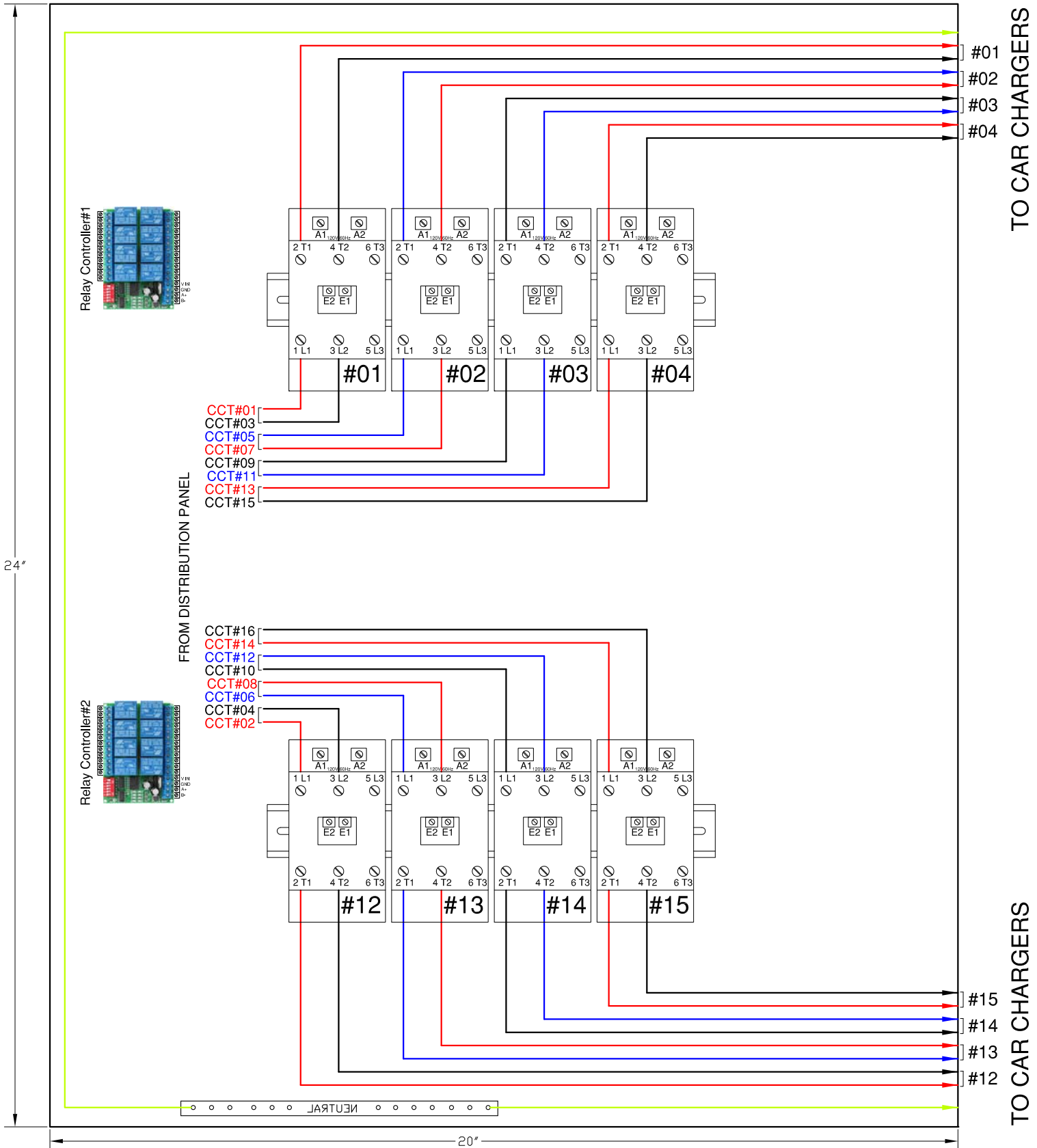
EVCMC-8 EV ENERGY MANAGEMENT SYSTEM i-meter45 Meter and Power Relays Wiring Diagram



EVCMC-8 EV ENERGY MANAGEMENT SYSTEM

Contactor with Mechanical Latch Power Wiring Diagram

24"X20"X10" Enclosure



24"

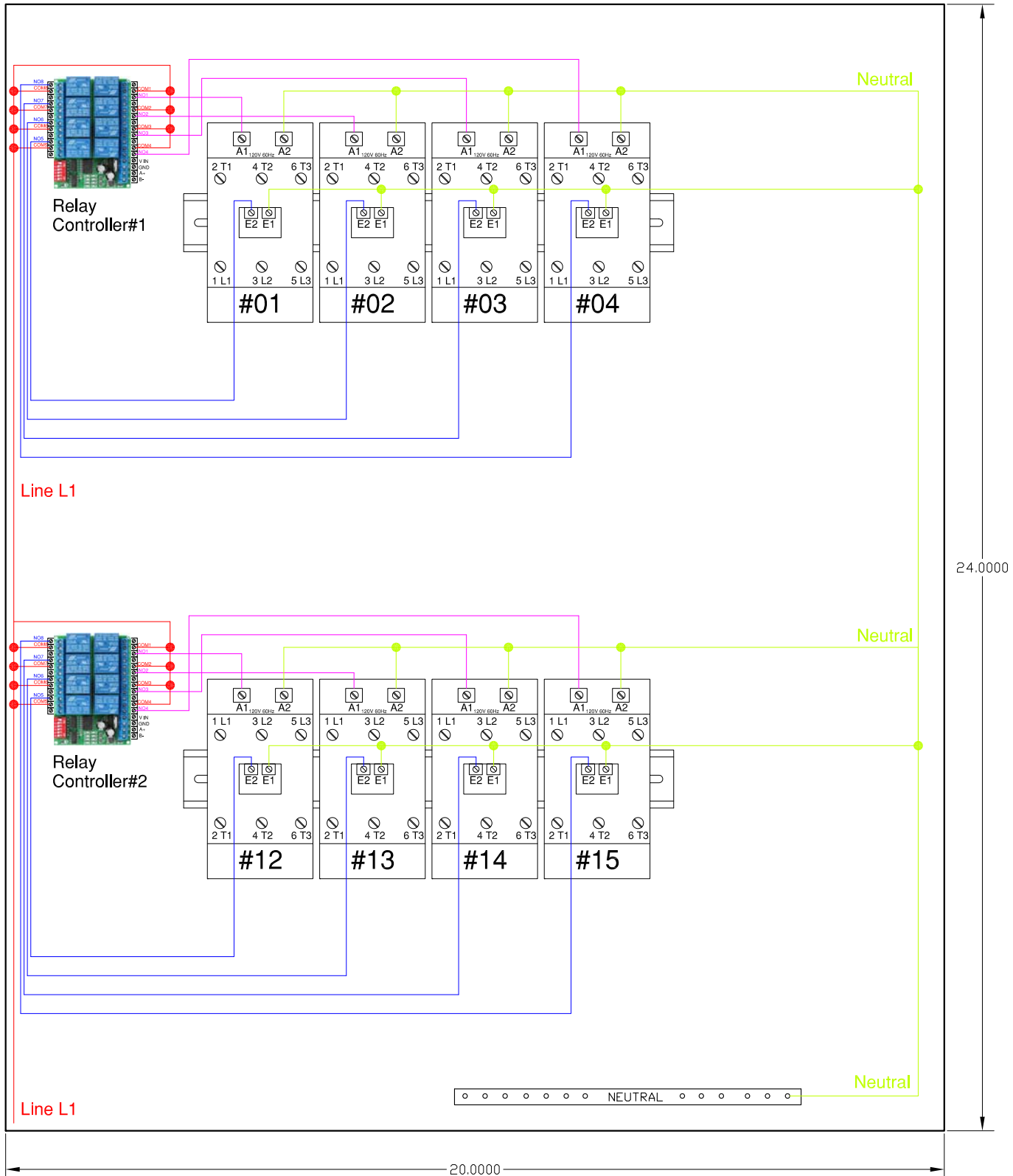
20"

Project Name:	Distributor:	Engineer:	P.O.#:	Date:	Rev.:	Project#:	Drawing#:	Drawn by:	Checked:	Drawing:
				31/12/2020				Hossein Pakbin		

EVCMC-8 EV ENERGY MANAGEMENT SYSTEM

Contactor with Mechanical Latch to Relay board Wiring Diagram

24"X20"X10" Enclosure



Layout for EVCMC-8 EV ENERGY MANAGEMENT SYSTEM

