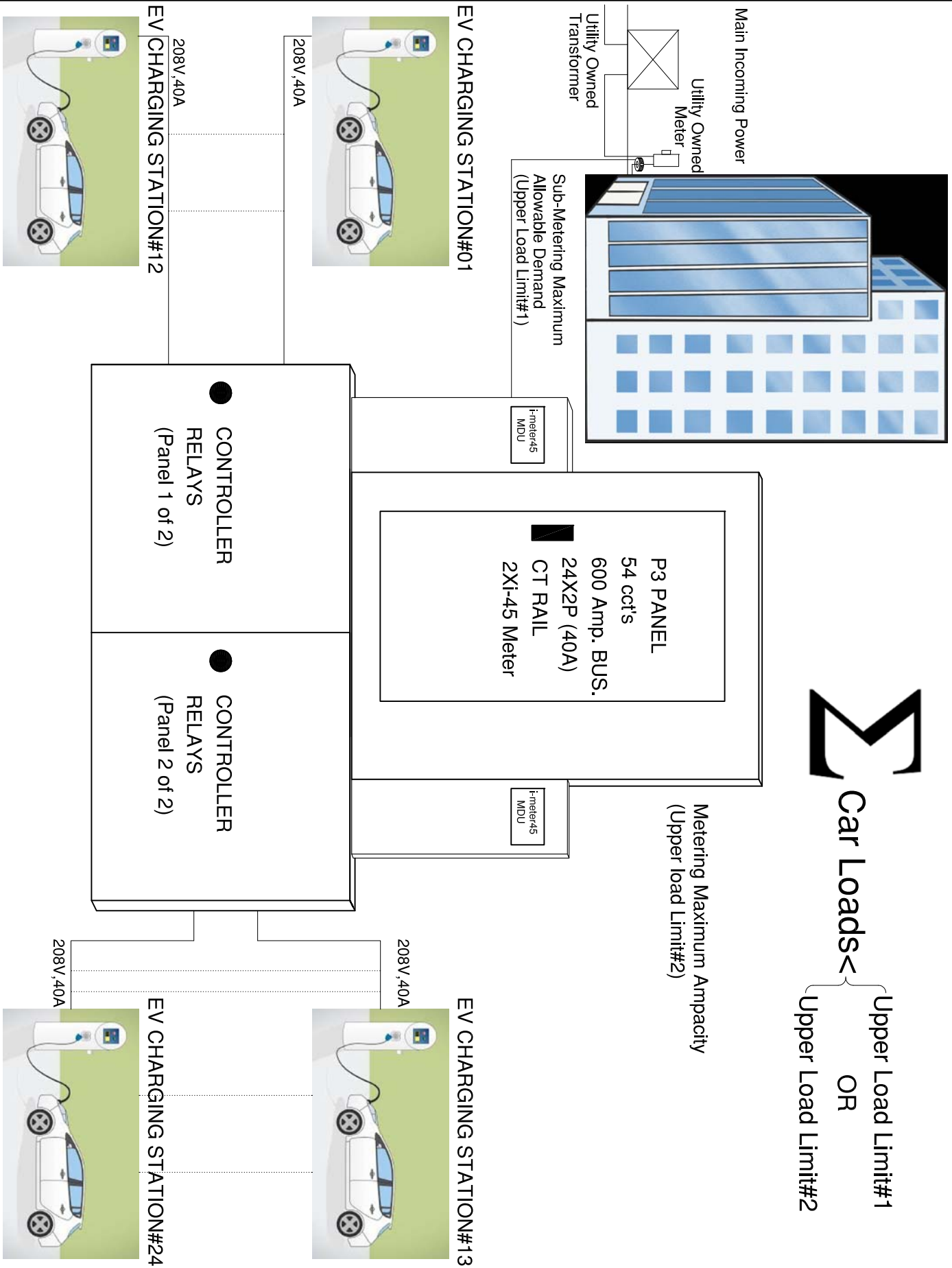


EVCMC-24 EV ENERGY MANAGEMENT SYSTEM



$$\Sigma \text{ Car Loads} < \begin{cases} \text{Upper Load Limit\#1} \\ \text{OR} \\ \text{Upper Load Limit\#2} \end{cases}$$

Metering Maximum Ampacity
(Upper load Limit#2)

P3 PANEL
54 cct's
600 Amp. BUS.
24X2P (40A)
CT RAIL
2XI-45 Meter

EV CHARGING STATION#01
208V, 40A

EV CHARGING STATION#12
208V, 40A

EV CHARGING STATION#13
208V, 40A

EV CHARGING STATION#24
208V, 40A

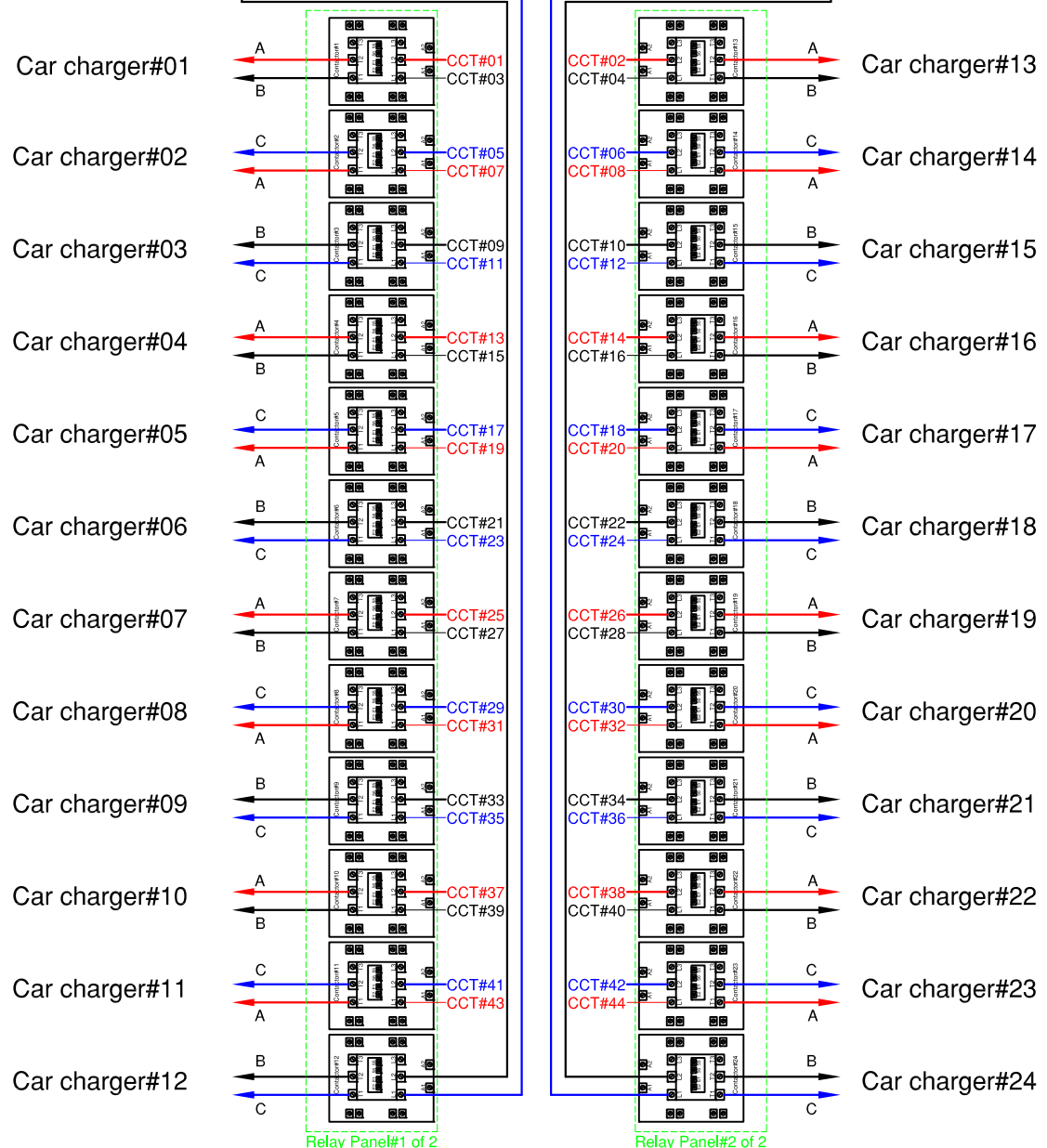
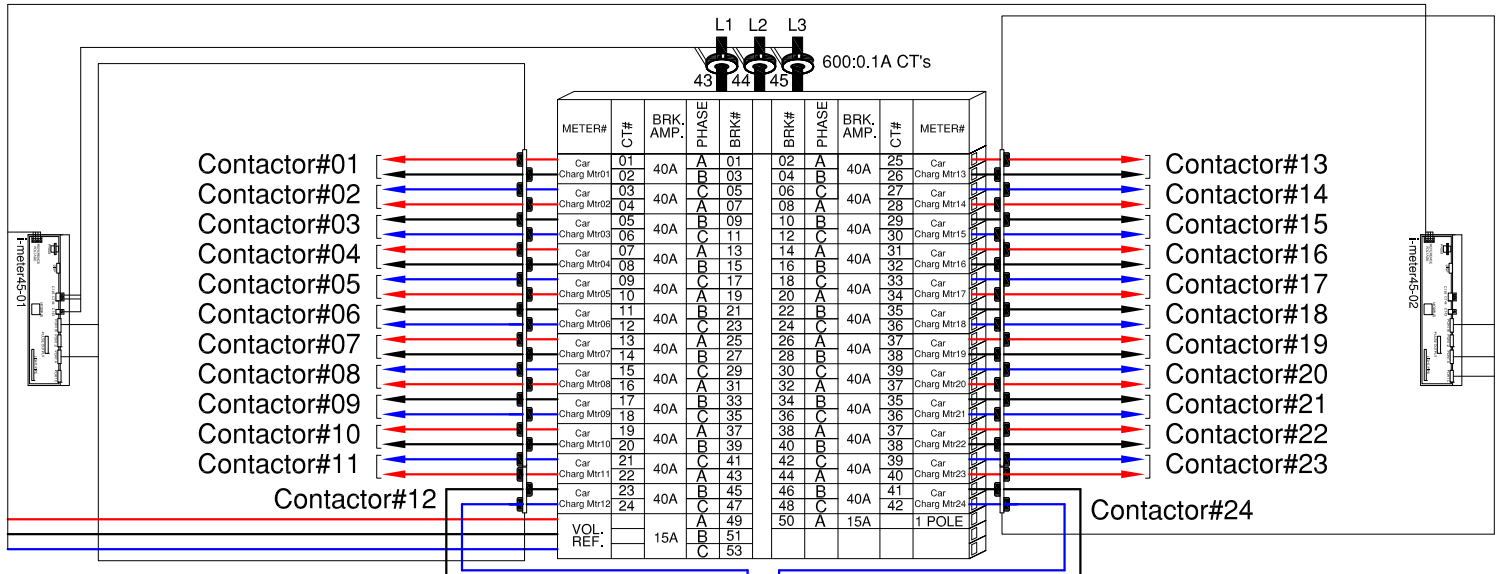
● CONTROLLER RELAYS (Panel 1 of 2)

● CONTROLLER RELAYS (Panel 2 of 2)

1125 Squires Beach Road
Pickering, Ontario L1W 3T9
Phone: (905) 839-9199
Fax: (905) 839-9198
intellimeter.on.ca

Project Name:	
Distributor:	
Engineer:	
P.O.#	
Contractor:	
Date:	31/12/2020
Rev.	
Project #:	
Drawing #:	
Drawn by:	Hossein Pakbin
Checked:	
Drawing:	

EVCMC-24 EV ENERGY MANAGEMENT SYSTEM i-meter45 Meter and Power Relays Wiring Diagram



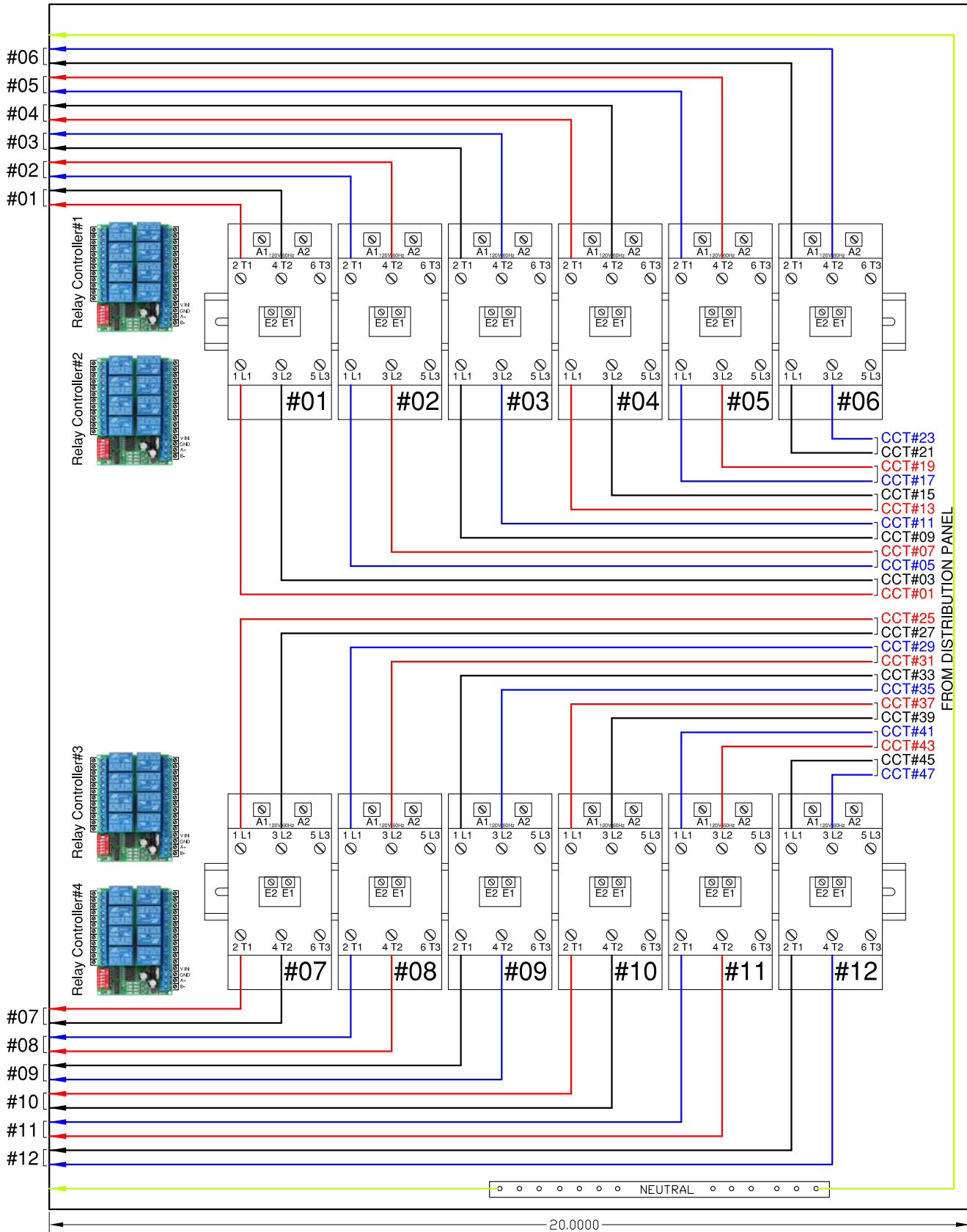
EVCMC-24 EV ENERGY MANAGEMENT SYSTEM

Contactor with Mechanical Latch Power Wiring Diagram

24"X20"X10" Enclosure (Panel 1 of 2)

TO CAR CHARGERS

TO CAR CHARGERS



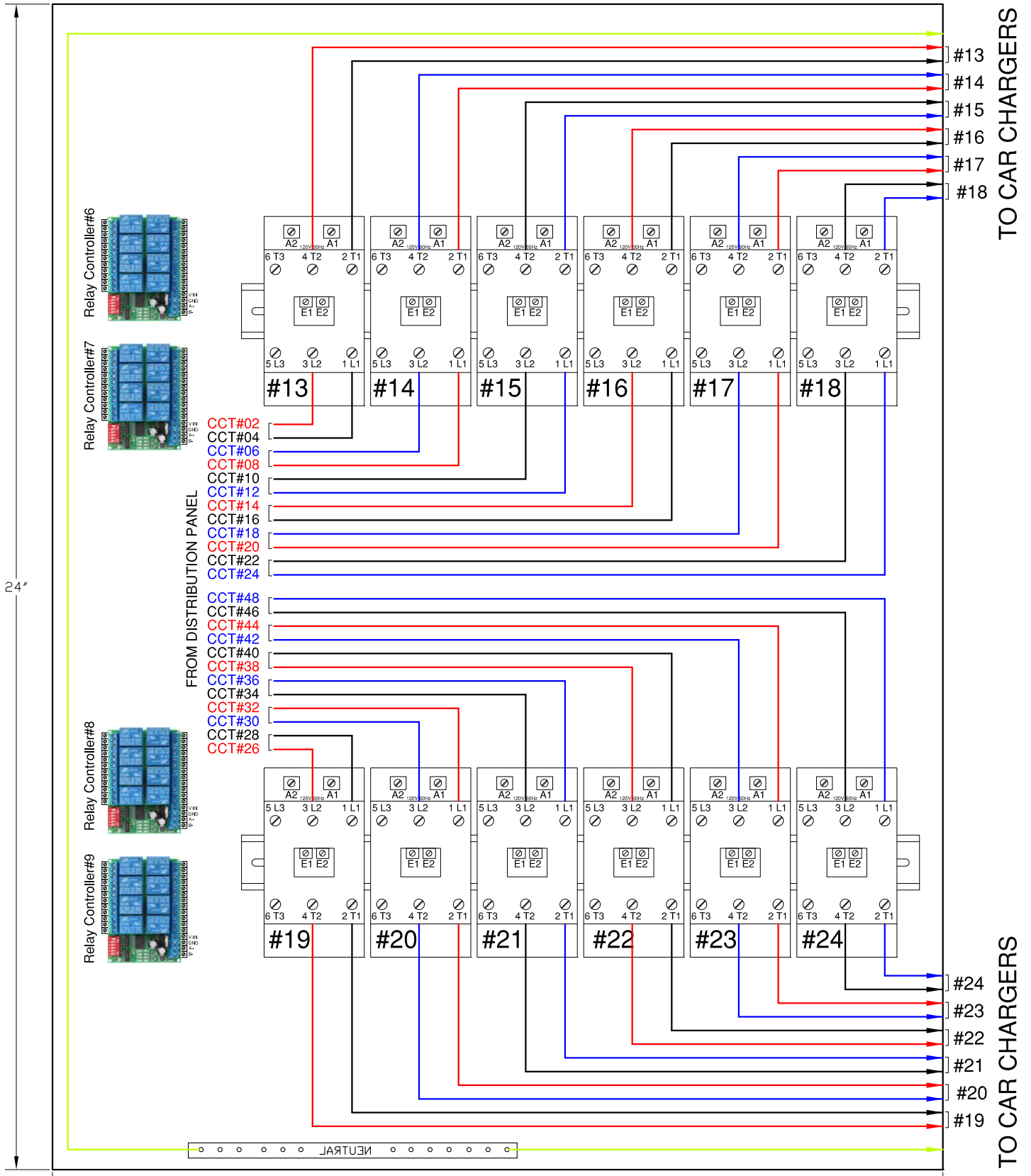
24"

20.000

EVCMC-24 EV ENERGY MANAGEMENT SYSTEM

Contactor with Mechanical Latch Power Wiring Diagram

24"X20"X10" Enclosure (Panel 2 of 2)

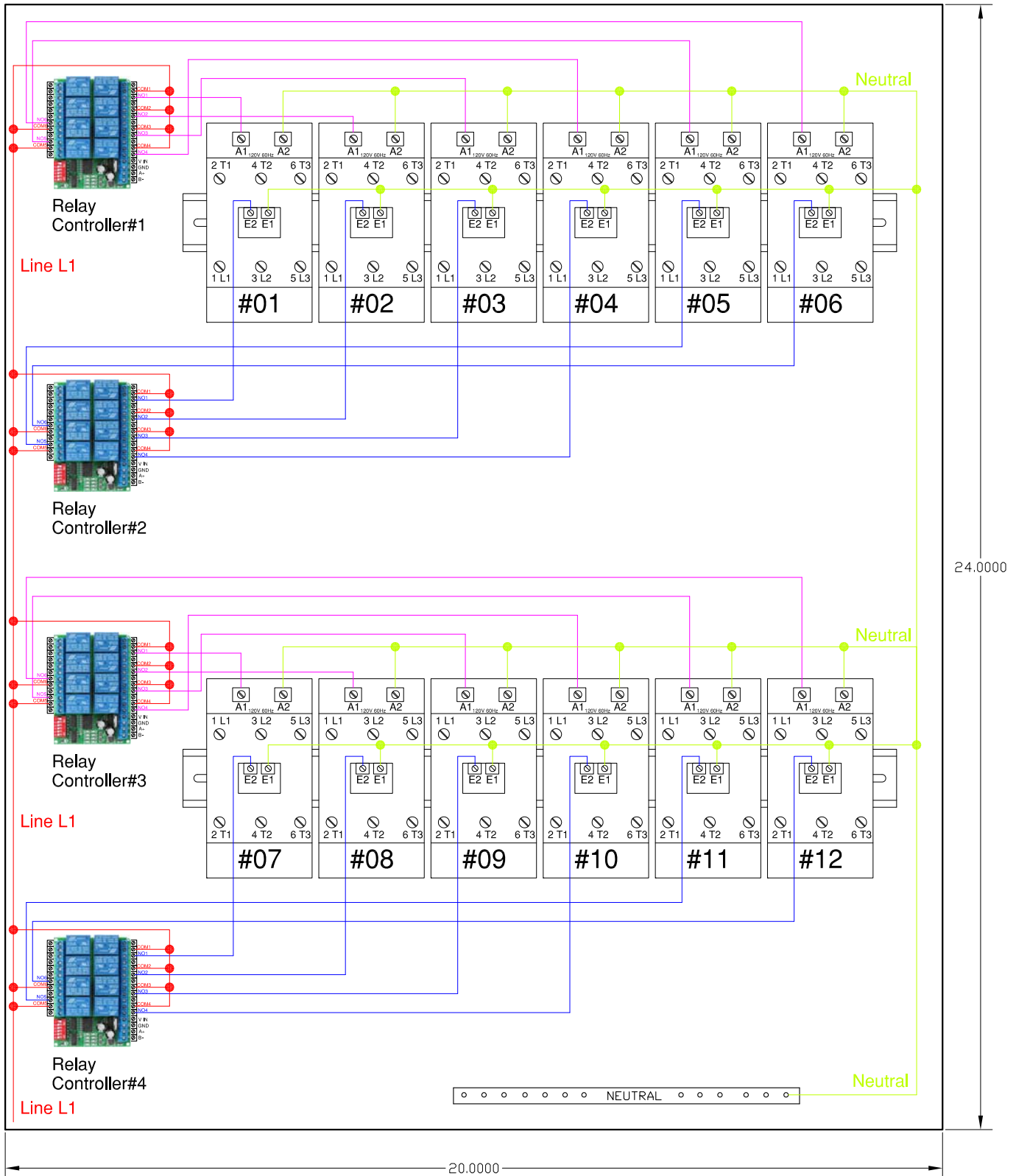


Project Name:	Distributor:	Engineer:	P.O.#:	Date:	Rev.:	Project#:	Drawing#:	Drawn by:	Checked:	Drawing:
				31/12/2020				Hossein Pakbin		

EVCMC-24 EV ENERGY MANAGEMENT SYSTEM

Contactor with Mechanical Latch to Relay board Wiring Diagram

24"X20"X10" Enclosure (Panel 1 of 2)



EVCMC-24 EV ENERGY MANAGEMENT SYSTEM

Contactor with Mechanical Latch to Relay board Wiring Diagram

24"X20"X10" Enclosure (Panel 2 of 2)

